

# STARMED DOS +1 22-24 LED

SMDOSG22/SMDOSG24/SMDOSF22/SMDOSF24

## SPECIFICATION FEATURES

- HOUSING:** 20 gauge formed cold rolled steel housing seam welded an ground smooth (standard). Stainless steel option available.
- FRAME:** Optional inset frame available in cold rolled steel and aluminum. Frame fastened to housing via hinge (standard).
- LENS:** Optional frame lens in clear polycarbonate. Ambient lens is white polycarbonate. Exam lens is available in clear ribbed acrylic or white frosted ribbed acrylic.
- LED:** Available in three color temperatures 3500°K, 4000°K and 5000°K. Other color temperatures available, consult factory. 0-10V dimming available with 10-100% range and 1-100% range. Must specify dimming under options.
- LED NIGHT LIGHT:** Integrated switch allows light selection at 100%, 70%, 40%, and 10%.
- FINISH:** White antimicrobial powder coat finish following iron phosphate pre-treatment.



**APPLICATION:** Patient Room 3 Compartment Fixture, Hospitals, Examination Rooms, and more.

**MOUNTING:** Grid and Flange mounting available. Flange fixtures supplied with yokes for installation.

**LABEL:** Fixture is certified to UL standards by Intertek Testing Laboratories.



**AMBIENT LUMEN OUTPUT\*\***  
(Performance Data Pg. 2)

## ORDERING INFORMATION

Ex: SMDOSG22-HC/ICA-L240-L140-RL-CA-UN

| PRODUCT FAMILY | MOUNTING               | NOMINAL SIZE<br>*Dimensional Data Pg. 2 | HOUSING   | INSET (I) FRAME  | FRAME LENS  | AMBIENT LUMEN OUTPUT**<br>(Performance Data Pg. 2) |
|----------------|------------------------|---|---|--|---|--|
| SMDOS          | G = Grid<br>F = Flange | 22 = 2x2<br>24 = 2x4                    | HC= 20Ga. CRS (standard)<br>HS= 20Ga. SS (Brushed)<br>HP= 20Ga. SS (painted)<br>HA= .050Ga. Alum. (painted) | Blank = No Frame<br>IC= 18Ga.CRS<br>IA= .050 Alum. (Painted) | Blank = No Lens<br>A = .125 Clear Poly.<br>1 = .187 Clear Poly. | L1 = Standard<br>L2 = Medium<br>L3 = High          |

| AMBIENT LAMP TYPE   | EXAM LUMEN OUTPUT**<br>(Performance Data Pg. 2) | EXAM LAMP TYPE                            | READING LIGHT                             | EXAM LENS  | VOLTAGE   | OPTIONS  |
|---|---|---|---|--|---|--|
| 35 = 3500°K<br>40 = 4000°K<br>50 = 5000°K<br>TW = Tunable White≈<br>(2700°K-5700°K) | L1 = Medium<br>L2 = High                        | 35 = 3500°K<br>40 = 4000°K<br>50 = 5000°K | B = None<br>RL = 2 LED Lights<br>(3000°K) | CA=Clear Rib. Acrylic<br>FA=Frosted Rib. Acrylic | 12 = 120V<br>27 = 277V<br>UN = Universal<br>(120V-277V) | DM LV2<br>DM1 LV3<br>EL1 RF*<br>EL2 AML<br>FZ* 90C<br>LN |

## KEY

DM = 0-10V dimming with 10-100% range  
DM1 = 0-10V dimming with 1-100% range  
EL1 = Emerg. Bat. LED Low (10W)  
EL2 = Emerg. Bat. LED High (20W)  
FZ = Fuse\*  
LN = LED Night Light (3500°K standard)  
(Not available with High Ambient Output)

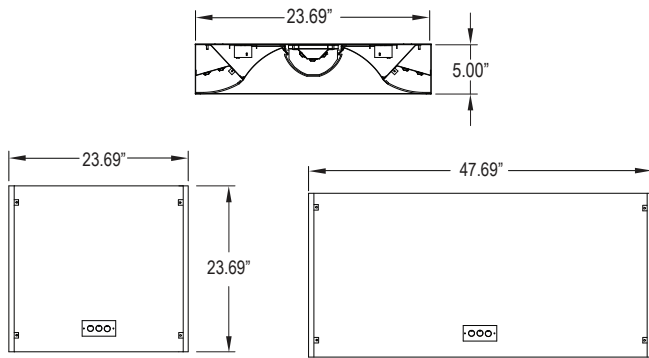
LV2 = Low Voltage Controller  
(controls reading and ambient unless otherwise specified)  
LV3 = Low Voltage Controller  
(controls reading, ambient and night light unless otherwise specified)  
RF = (RIF) Radio Interference Filter\*  
AML = Antimicrobial Lens  
(Exam only. Not applicable when using IC or IA)  
90C = 90CRI (Ambient and Exam only)

≈ Compatible with DMX  
\* Cannot use with UN voltage  
\*\* Subject to change

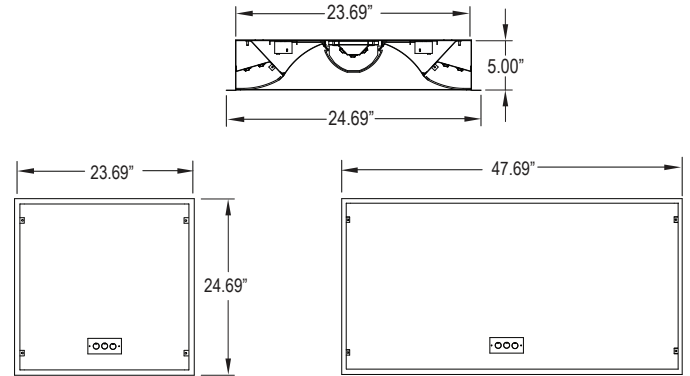
Notes:  
Specifications and Dimensions are subject to change without notice.  
If circuit is not specified at time of quote or order, fixture will have single circuit.

## DIMENSIONAL DATA

### GRID MOUNTING



### FLANGE MOUNTING



Flange Recommended Opening:

22: 24 <sup>1/16</sup>" x 23 <sup>1/8</sup>"

24: 47 <sup>1/8</sup>" x 24 <sup>1/16</sup>"

## PERFORMANCE DATA

| MODEL              | OUTPUT   | LAMP TYPE | LUMENS DELIVERED | EFFICACY (lm/W) | INPUT POWER (W) |
|--------------------|----------|-----------|------------------|-----------------|-----------------|
| SMDOS22<br>Ambient | Standard | 4000°K    | 1265             | 101             | 12.5            |
|                    | Medium   | 4000°K    | 2525             | 101             | 25              |
|                    | High     | 4000°K    | 3790             | 101             | 37.5            |
| SMDOS22<br>Exam    | Medium   | 4000°K    | 2750             | 110             | 25              |
|                    | High     | 4000°K    | 5500             | 110             | 50              |
| SMDOS24<br>Ambient | Standard | 4000°K    | 2525             | 101             | 25              |
|                    | Medium   | 4000°K    | 5050             | 101             | 50              |
|                    | High     | 4000°K    | 7575             | 101             | 75              |
| SMDOS24<br>Exam    | Medium   | 4000°K    | 5500             | 110             | 50              |
|                    | High     | 4000°K    | 11000            | 110             | 100             |
| Reading Light      | -        | 3000°K    | 461              | 76              | 6.1             |

Notes:  
Specifications and Dimensions are subject to change without notice.  
For additional options and dimensional details please consult your New Star Lighting Representative.

# STARMED DOS +1 22-24 FLUORESCENT

SMDOSG22/SMDOSG24/SMDOSF22/SMDOSF24

## SPECIFICATION FEATURES

- HOUSING:** 20 gauge formed cold rolled steel housing seam welded an ground smooth (standard). Stainless steel option available.
- FRAME:** Optional inset frame available in cold rolled steel and aluminum. Frame fastened to housing via hinge (standard).
- LENS:** Optional frame lens in clear polycarbonate. Ambient lens is white polycarbonate. Exam lens is available in clear ribbed acrylic or white frosted ribbed acrylic.
- ELECTRONICS:** Electronic instant start ballast <10% THD standard. Lamps by others.
- FINISH:** White antimicrobial powder coat finish following iron phosphate pre-treatment.



**APPLICATION:**  
Patient Room 3 Compartment Fixture, Hospitals, Examination Rooms, and more.

**MOUNTING:**  
Grid and Flange mounting available. Flange fixtures supplied with yokes for installation.

**LABEL:**  
Fixture is certified to UL standards by Intertek Testing Laboratories.



## ORDERING INFORMATION

Ex: SMDOSG22-HC/ICA-214-224-RL-CA-UN

| PRODUCT FAMILY   | MOUNTING                   | NOMINAL SIZE<br><small>*Dimensional Data Pg. 2</small>   | HOUSING   | INSET (I) FRAME  | FRAME LENS  | AMBIENT # OF LAMPS                     |
|--|----------------------------|--|---|--|---|--|
| SMDOS  | G = Grid<br>F = Flange     | 22 = 2x2<br>24 = 2x4   | HC= 20Ga. CRS (standard)<br>HS= 20Ga. SS (Brushed)<br>HP= 20Ga. SS (painted)<br>HA= .050Ga. Alum. (painted) | Blank = No Frame<br>IC= 18Ga.CRS<br>IA= .050 Alum. (Painted) | Blank = No Lens<br>A = .125 Clear Poly.<br>1 = .187 Clear Poly.     | 2 = 2 Lamp<br>3 = 3 Lamp               |
| AMBIENT LAMP TYPE  | EXAM # OF LAMPS            | EXAM LAMP TYPE   | READING LIGHT   | EXAM LENS  | VOLTAGE   | OPTIONS                                |
| 22:<br>14 = Linear 14W T5<br>17 = Linear 17W T8<br>24 = Linear 24W T5 (H.O.)<br>24:<br>28 = Linear 28W T5<br>32 = Linear 32W T8<br>54 = Linear 54W T5 (H.O.) | 2 = 2 Lamp<br>(1 per side) | 22:<br>14 = Linear 14W T5<br>17 = Linear 17W T8<br>24 = Linear 24W T5 (H.O.)<br>24:<br>28 = Linear 28W T5<br>32 = Linear 32W T8<br>54 = Linear 54W T5 (H.O.) | B = None<br>RL = 2 LED Lights (3000°K)Δ   | CA=Clear Rib. Acrylic<br>FA=Frosted Rib. Acrylic             | 12 = 120V<br>27 = 277V<br>34 = 347V ■<br>UN = Universal (120V-277V) | E1* AML<br>E2* LV2Δ<br>FZ* LV3Δ<br>RFΔ |

## KEY

E1 = Emerg. Battery Pack (650 Lumens)\*  
E2 = Emerg. Battery Pack (1100 Lumens)\*  
FZ = Fuse\*  
RF = (RIF) Radio Interference FilterΔ  
AML = Antimicrobial Lens  
(Exam only. Not applicable when using IC or IA)

LV2 = Low Voltage Controller Δ  
(controls reading and ambient unless otherwise specified)  
LV3 = Low Voltage Controller Δ  
(controls reading, ambient and night light unless otherwise specified)

\* Cannot use with UN voltage  
Δ Not available with 347V  
■ Consult factory for lamp-ballast options

Notes:  
Specifications and Dimensions are subject to change without notice.  
For additional options and dimensional details please consult your New Star Lighting Representative.

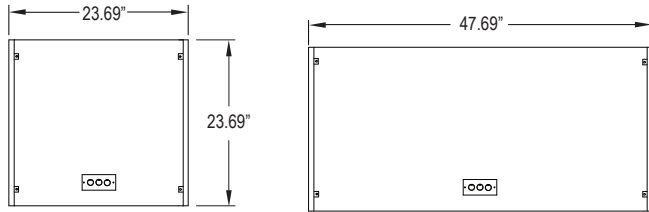
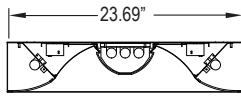
# STARMED DOS +1 22-24 FLUORESCENT

SMDOSG22/SMDOSG24/SMDOSF22/SMDOSF24

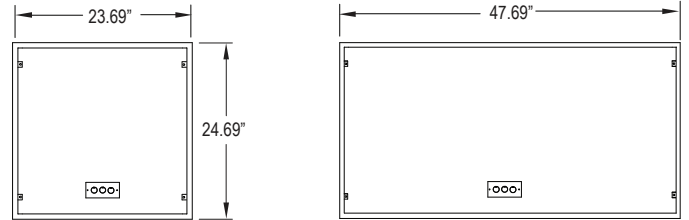
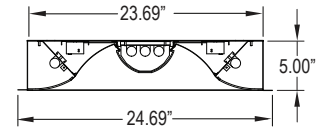


## DIMENSIONAL DATA

### GRID MOUNTING



### FLANGE MOUNTING



Flange Recommended Opening:

22:  $24 \frac{1}{16}'' \times 23 \frac{1}{8}''$

24:  $47 \frac{1}{8}'' \times 24 \frac{1}{16}''$