

# MUSCON UNDERCABINET LED

MUSCON2/MUSCON3/MUSCON4

## SPECIFICATION FEATURES

- HOUSING:** 16 gauge formed cold rolled steel housing seam welded and ground smooth.
- FRAME:** 16 gauge die-formed one piece frame.
- LENS:** Per specification (see lens options below) and secured by "Z" retainers.
- LED:** Available in two color temperatures 3000°K, and 4000°K. Standard 0-10V driver provided. Optional dimming function (DM) with 10-100% range.
- FINISH:** White powder coat finish following iron phosphate pre-treatment.
- FASTENERS:** Tamper resistant counter sunk, flat head torx screws with center pin reject.



### APPLICATION:

Correctional Settings, Psychiatric Wards, Detention Centers, Behavioral Health Settings, Shelf Lighting and more.

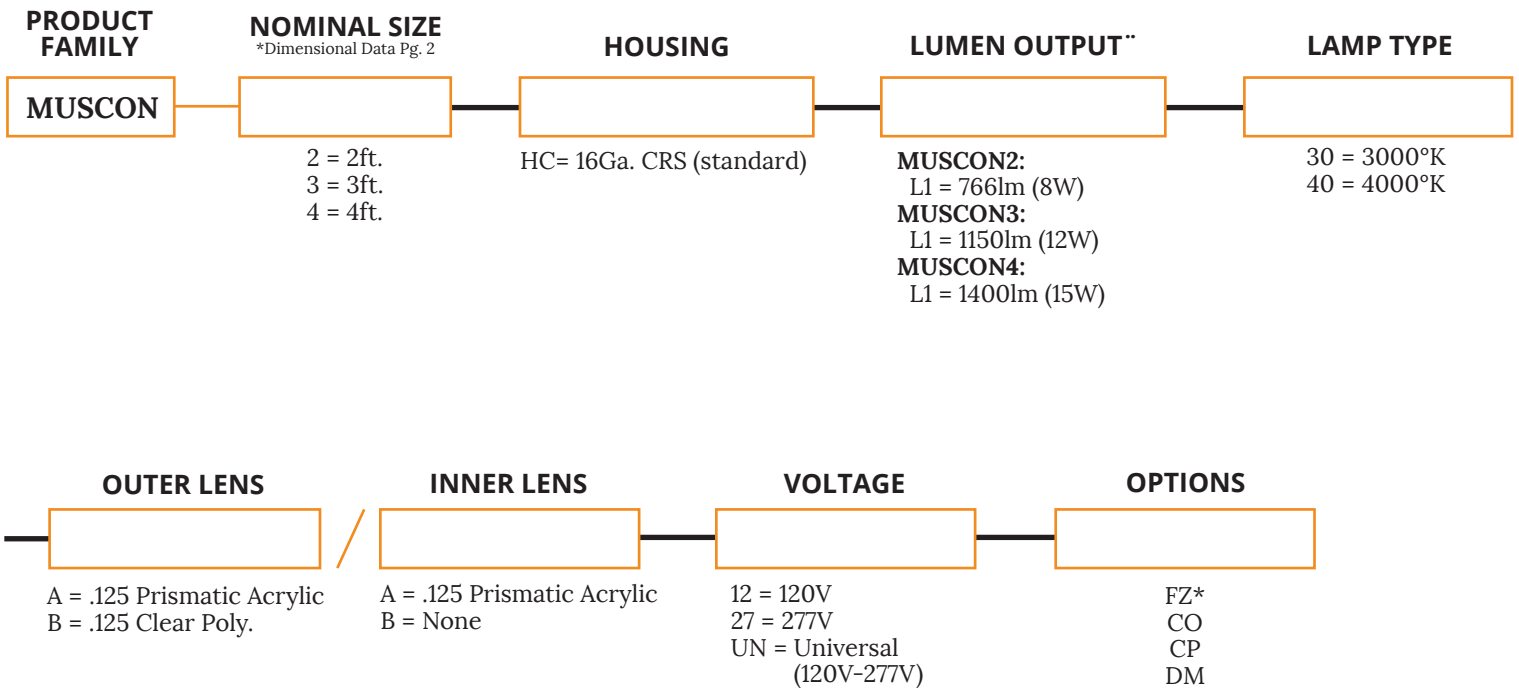
### LABEL:

Fixture is certified to UL standards by Intertek Testing Laboratories.



## ORDERING INFORMATION

Ex: MUSCON2-HC-L1-40-A/B-UN



## KEY

FZ = Fuse\*

CO = Convenience Outlet (120V only)

CP = 6ft. Cord with Plug (120V only)

DM = 0-10V dimming with 10-100% range.

Dimming wires will be extended outside of fixture.

\*\* Subject to change

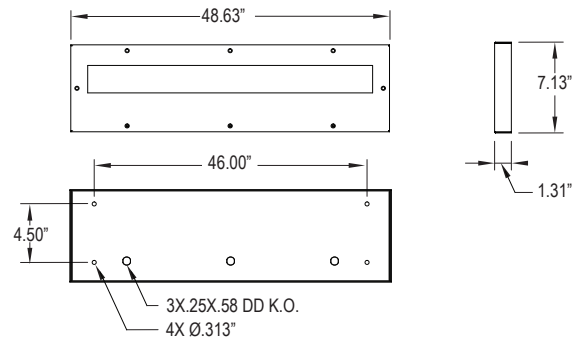
\* Cannot use with UN voltage

### Notes:

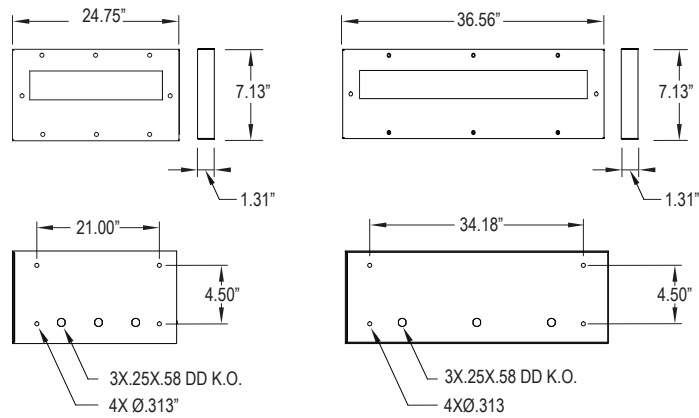
Specifications and Dimensions are subject to change without notice.

For additional options and dimensional details please consult your New Star Lighting Representative.

## DIMENSIONAL DATA



**MUSCON 4**



**MUSCON 2**

**MUSCON 3**

Notes:  
Specifications and Dimensions are subject to change without notice.  
For additional options and dimensional details please consult your New Star Lighting Representative.