

MUSCON 2-3-4

CONFINEMENT SERIES

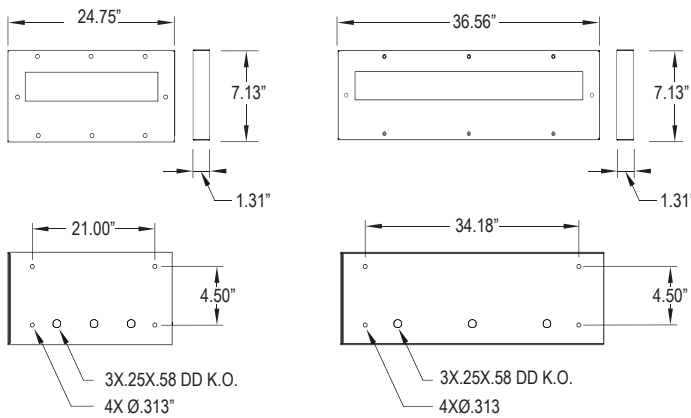
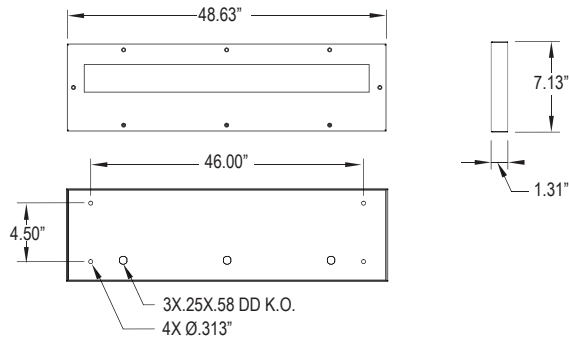
UNDER CABINET LUMINAIRE

LED



PROJECT:
TYPE:
PRODUCT:
APPROVED:
DATE:

DIMENSION DATA



FEATURES

The New Star "MusCon 2, 3, and 4 Confinement fixture is designed for use in security application where strength is critical.

- Excellent task lighting
- Available in 2', 3', and 4' lengths
- Solid front integrates with casework & reduces glare
- Easy access to electrical compartment

APPLICATION

- Confinement
- Psychiatric Wards
- Detention centers
- Patient Rooms
- Nurse Stations
- Desk Lighting
- Office Cabinet Lighting
- Kitchens
- Backlighting
- Cove Lighting
- Laboratories
- Research Facilities
- Shelf Lighting
- Display Cases

SPECIFICATION

HOUSING:

16 gauge formed cold rolled steel housing
seamed welded & ground smooth (standard).

FINISH:

White powdercoat finish
following an iron phosphate pre-treatment

FRAME:

16 gauge die formed one piece frame

FASTENERS:

Tamper resistant counter sunk, flat head torx screws with center pin reject

LENS:

Per specification (see lens options) and secured by "z" retainers

LABEL:



Damp Location

ELECTRONICS:

Electronic Ballast <10% THD (standard)
Constant Current Driver

ORDERING INFORMATION

Product Family	Housing	#Lamps	Lamp Type	Outer Lens	Inner Lens
MUSCON_					
MUSCON2 MUSCON3 MUSCON4	HC = Housing 16 Gauge CRS Standard	LED: 2FT. Fixture L1 = LED 1 Row (8.0 Watts) Δ LED: 3FT. Fixture L1 = LED 1 Row (12.0 Watts) Δ LED: 4FT. Fixture L1 = LED 1 Row (15.0 Watts) Δ	LED : 30 = White 3000° K 40 = White 4000° K	A = .125 Prismatic Polycarbonate B = .125 Clear Polycarbonate	A = .125 Prismatic Polycarbonate B = None
Voltage	Options				
12 = 120V 27 = 277V UN = Universal (120V-277V)	FZ = Fuse * CO = Convenience Outlet (120V only) CP = 6 FT. Cord with Plug (120V only) DM = Dimming LED Driver ●▲				

- * Cannot use with Universal Voltage
- MUSCON2 uses CV Driver

Notes:

Specifications and Dimensions are subject to change without notice. For additional options and dimensional details please consult your New Star Lighting Representative. For specific electronic ballast, specify brand and catalog number.



www.newstarlighting.com

New Star - 4000 S. Bell St. - Chicago, IL 60609 - TEL (773) 847-1400 - FAX (773) 254-6811 - v013