

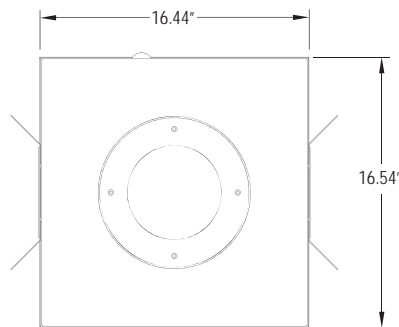
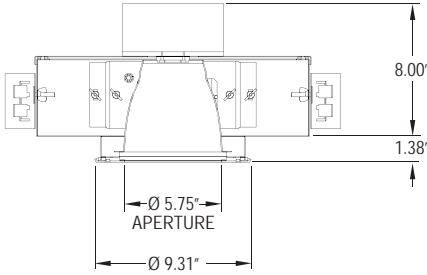
STARMed 6 LED ROUND

CLEANROOM SERIES
LED



PROJECT:
TYPE:
PRODUCT:
APPROVED:
DATE:

DIMENSIONAL DATA



FEATURES

The New Star "StarMed 6 LED Round" CleanRoom fixture is designed for use in medical settings, labs, high-tech production facilities, food processing and areas where clean is critical.

- Dimming(0-10v) standard
- Excellent vertical illumination
- Sealed and enclosed aluminium housing
- Durable construction
- Available in 6" aperture
- Enclosure box available for remote applications. 50ft. maximum
- Available in a variety wattages
- Easy maintenance finish
- Low glare

APPLICATION

- CleanRoom
- Patient Rooms
- Nurse Stations
- Laboratories
- Research Facilities
- Psychiatric Ward
- Surgical Suites
- Administration areas
- Corridors

SPECIFICATION FEATURES

HOUSING:

16 gauge Aluminium (standard)

LENS:

Polycarbonate, acrylic, and glass lens

ELECTRONICS:

Constant current driver.

FINISH:

White Antimicrobial powdercoat finish following an iron phosphate pre-treatment (standard)

LABEL:



ORDERING INFORMATION

Product Family	Housing Material	# of Lamps	Lamp Type	Outer Lens	Inner Lens
DLM6	-	-	-	-	-
DLM6 16-7/16" x 16-9/16" x 9-3/8"	HA = Housing 16 Ga. Aluminium D = 18 Ga. CRS	L1 = 11W 82 CRI L2C = 29W 90 CRI L3 = 13W 82 CRI L4 = 25W 82 CRI L5 = 37W 82 CRI L6C = 34W 90" CRI L6A = 54W 82 CRI L7 = 52W 82 CRI	30 = White 3000° K* 35 = White 3500° K 40 = White 4000° K	A = .125 Clear Acrylic B = .125 Clear Polycarbonate C = .187 Clear Polycarbonate D = .250 Clear Polycarbonate E = .375 Clear Polycarbonate F = .125 Clear Tempered Glass G = .187 Clear Tempered Glass H = .250 Clear Tempered Glass O = None	A = .125 Prismatic Acrylic B = .125 Prismatic Polycarbonate C = .156 Prismatic Polycarbonate D = .125 White Frosted Polycarbonate(LC3) E = .156 Prismatic Tempered Glass(C73)
Trim	Reflector Finish	Voltage	Options		
-	-	-	-		
A = .080 Aluminium B = 18 Ga. CRS C = 18 Ga. 304 Stainless Steel	1 = Clear Specular (standard) 2 = Clear Semi-Specular 3 = Antimicrobial Low Gloss White 4 = Champagne Gold	12 = 120V 27 = 277V UN = Universal (120V-277V)	EM = Emergency Battery must be remote FZ = Fuse TH = Torx Head screws (with center pins) MS = MIL-STD-461F NI = Non-IP65 Application		

* 90 CRI only available in 3000K

3-10-16

Notes:
Specifications and Dimensions are subject to change without notice. For additional options and dimensional details please consult your New Star Lighting Representative. For specific electronic ballast, specify brand and catalog number.

