

VICTORY NARROW LED

VIC1N/VIC2N/VIC3N/VIC4N

SPECIFICATION FEATURES

- HOUSING:** Marine grade extruded aluminum frame with cast aluminum endcaps. Includes knockouts for surface conduit and tandem mounting.
- LENS:** Linear ribbed clear and white polycarbonate lens available in two thicknesses.
- LENS RETENTION:** Unique swing rail design for ease of lens removal for maintenance.
- LED:** Available in three color temperatures 3500°K, 4000°K and 5000°K. Other color temperatures available, consult factory. Standard 0-10V driver provided. Optional dimming function (DM) with 10-100% range.
- LED NIGHT LIGHT:** Integrated switch allows light selection at 100%, 70%, 40% and 10%.
- REFLECTOR:** Faceted 22Ga. specular aluminum for maximum rigidity and controlled light distribution.
- FASTENERS:** Phillips flat head screws (3 screws on each side).
- FINISH:** 5 stage wash and pre-treatment with a white polyester powder coat finish.
- GASKET:** EPDM gasketing to prevent water and dust infiltration.



APPLICATION: Public Areas, Corridors, Stairways, Underpasses, Parking Garages, Restrooms, Lobbies, Schools, and more.

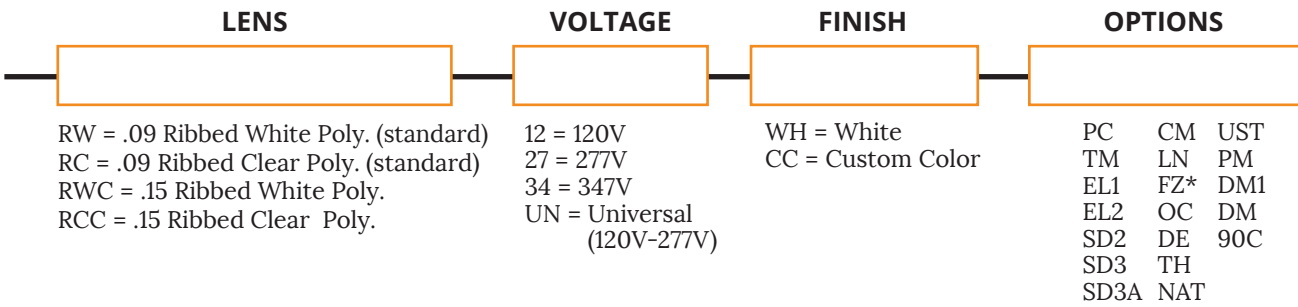
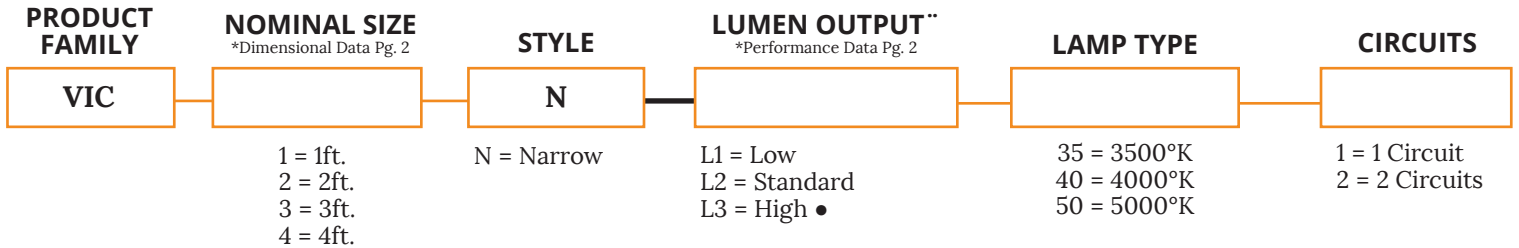
MOUNTING: Surface Wall Mount Installation.

LABEL: Fixture is certified to UL standards by Intertek Testing Laboratories.



DLC Approved:
VIC-4N-L3401-RC-UN-WH

ORDERING INFORMATION



KEY

- PC = Photocell (Flat end cap only)
- TM = Tandem Mount Option, consult factory
- EL1 = Emergency Battery Low
- EL2 = Emergency Battery High
- SD2 = Step. Dimming Module (50-100%)
- SD3 = Step. Dimming Module (25-50-100%)
- SD3A = Step. Dimming Module (33-66-100%)
- CM = Corner Mount
- LN = LED Night Light. Consult factory for available temp.
- FZ = Fuse*

- OC = Occupancy Sensor
- DE = Decorative end caps
- TH = Torx Head Screws
- NAT = Natatorium finish
- UST = Unistrut Mounting Plate
- PM = Pendant Mount
- DM1 = 0-10V dimming with 1-100% range
- DM = 0-10V dimming with 10-100% range. Dimming wires will be extended outside of fixture
- 90C = 90 CRI

- * Cannot use with UN voltage
- ** Subject to change
- Cannot be used with Occ Sensor

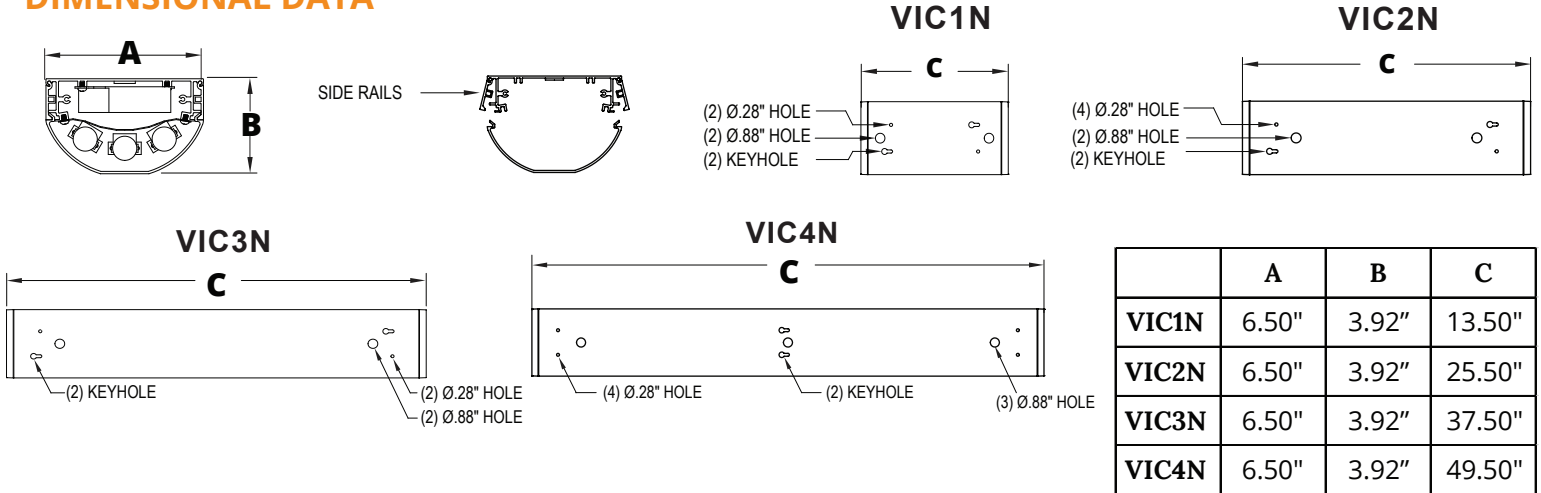


Standard (flat) End Cap Decorative End Cap

VICTORY NARROW LED

VIC1N/VIC2N/VIC3N/VIC4N

DIMENSIONAL DATA



PERFORMANCE DATA**

| OUTPUT | LAMP TYPE | (RC) Clear Polycarbonate Lens | | | (RW) White Polycarbonate Lens | | |
|----------|-----------|-------------------------------|-----------------|-----------------|-------------------------------|-----------------|-----------------|
| | | LUMENS DELIVERED | EFFICACY (lm/W) | INPUT POWER (W) | LUMENS DELIVERED | EFFICACY (lm/W) | INPUT POWER (W) |
| Low | 3500°K | 700 | 100 | 7 | 600 | 86 | 7 |
| | 4000°K | 750 | 107 | 7 | 650 | 93 | 7 |
| | 5000°K | 800 | 114 | 7 | 700 | 100 | 7 |
| Standard | 3500°K | 1400 | 108 | 13 | 1100 | 85 | 13 |
| | 4000°K | 1500 | 115 | 13 | 1200 | 92 | 13 |
| | 5000°K | 1600 | 123 | 13 | 1300 | 100 | 13 |
| High | 3500°K | 2050 | 108 | 19 | 1600 | 84 | 19 |
| | 4000°K | 2200 | 116 | 19 | 1750 | 92 | 19 |
| | 5000°K | 2350 | 124 | 19 | 1900 | 100 | 19 |
| Low | 3500°K | 1400 | 108 | 13 | 1100 | 85 | 13 |
| | 4000°K | 1500 | 115 | 13 | 1200 | 92 | 13 |
| | 5000°K | 1600 | 123 | 13 | 1300 | 100 | 13 |
| Standard | 3500°K | 2800 | 112 | 25 | 2100 | 84 | 25 |
| | 4000°K | 3000 | 120 | 25 | 2300 | 92 | 25 |
| | 5000°K | 3200 | 128 | 25 | 2500 | 100 | 25 |
| High | 3500°K | 4200 | 111 | 38 | 3200 | 84 | 38 |
| | 4000°K | 4500 | 118 | 38 | 3700 | 97 | 38 |
| | 5000°K | 4800 | 126 | 38 | 4000 | 105 | 38 |
| Low | 3500°K | 2050 | 108 | 19 | 2050 | 108 | 19 |
| | 4000°K | 2200 | 116 | 19 | 2100 | 111 | 19 |
| | 5000°K | 2350 | 124 | 19 | 2200 | 116 | 19 |
| Standard | 3500°K | 4100 | 108 | 38 | 4100 | 108 | 38 |
| | 4000°K | 4400 | 116 | 38 | 4200 | 111 | 38 |
| | 5000°K | 4700 | 124 | 38 | 4400 | 116 | 38 |
| High | 3500°K | 6150 | 108 | 57 | 6150 | 108 | 57 |
| | 4000°K | 6600 | 116 | 57 | 6300 | 111 | 57 |
| | 5000°K | 7050 | 124 | 57 | 6600 | 116 | 57 |
| Low | 3500°K | 2700 | 108 | 25 | 2700 | 108 | 25 |
| | 4000°K | 2900 | 116 | 25 | 2800 | 112 | 25 |
| | 5000°K | 3100 | 124 | 25 | 2900 | 116 | 25 |
| Standard | 3500°K | 5500 | 110 | 50 | 5400 | 108 | 50 |
| | 4000°K | 5900 | 118 | 50 | 5600 | 112 | 50 |
| | 5000°K | 6300 | 126 | 50 | 5800 | 116 | 50 |
| High | 3500°K | 8300 | 111 | 75 | 7200 | 96 | 75 |
| | 4000°K | 8800 | 117 | 75 | 8100 | 108 | 75 |
| | 5000°K | 9400 | 125 | 75 | 8600 | 115 | 75 |

Notes:
 Specifications and Dimensions are subject to change without notice.
 For additional options and dimensional details please consult your New Star Lighting Representative.