

STARMed 68 ROUND

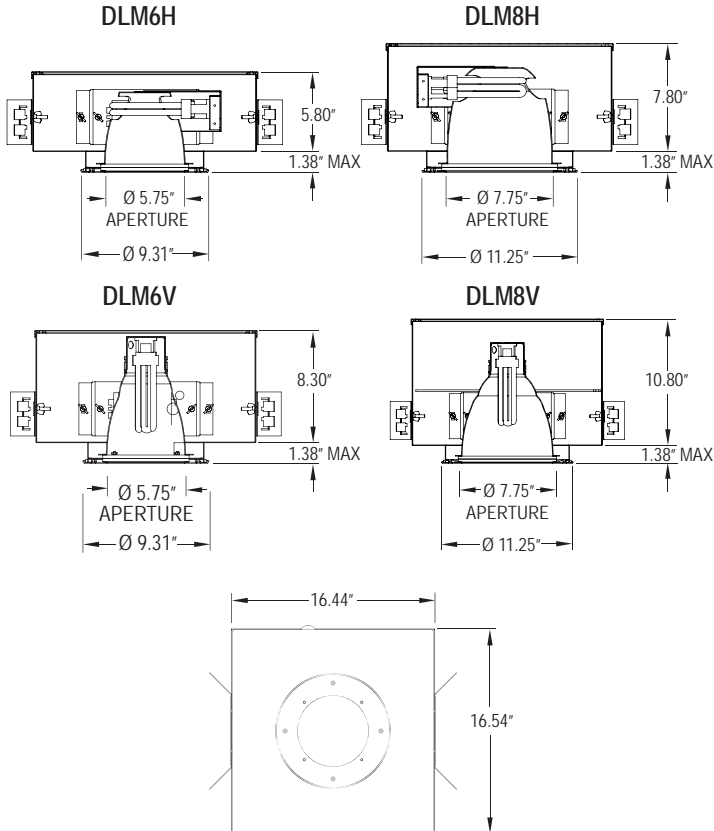
CLEANROOM SERIES

PATIENT ROOM LUMINAIRE
FLUORESCENT



PROJECT:
TYPE:
PRODUCT:
APPROVED:
DATE:

DIMENSIONAL DATA



FEATURES

The New Star "StarMed 6" and 8" Round" CleanRoom fixture is designed for use in medical settings, labs, high-tech production facilities, food processing and areas where clean is critical.

- Ideal for High Abuse area with specified Trim
- Excellent vertical illumination
- Sealed and enclosed aluminium housing
- Durable construction
- Available in 6" and 8" aperture
- Available in a variety of lamps and wattages
- Easy maintenance finish
- Low glare

APPLICATION

- Patient Rooms
- Nurse Stations
- Laboratories
- Research Facilities
- Psychiatric Ward
- Surgical Suites
- Administration areas
- Corridors

SPECIFICATION FEATURES

HOUSING:

16 gauge Aluminium (standard)

LENS:

Polycarbonate, acrylic and glass lens

ELECTRONICS:

Electronic Ballast <10% THD (standard)
Lamp by others

FINISH:

White Antimicrobial powdercoat finish following an iron phosphate pre-treatment (standard)

LABEL:



ORDERING INFORMATION

Product Family	Housing Material	# of Lamps	Vertical Lamp Type	Horizontal Lamp Type
DLM_				
DLM6V 6" Vertical DLM6H 6" Horizontal DLM8V 8" Vertical DLM8H 8" Horizontal	HA = Housing 16 Ga. Aluminum D = 18 Ga. CRS	L1 = 1 Lamp L2 = 2 Lamp	13 = 13W (6" only) 18 = 18W PLT 18Q = 18W Quad 26 = 26W PLT 26Q = 26W Quad 32 = 32W PLT** 42 = 42W PLT (8" ONLY)**	13 = 13W (6" only) (2x)13 = 13W (6" only) 18 = 18W Quad (2x)18 = 18W Quad 26 = 26W PLT** 26 = 26W Quad (2x)26 = 26W Quad 18 = 18W PLT (2X)18 = 18W Quad 26 = 26W PLT** 32 = 32W PLT** 42 = 42W PLT** (8" ONLY)

** = 1 Lamp Only

Outer Lens	Inner Lens	Trim	Reflector Finish	Voltage	Options
A = .125 Clear Acrylic B = .125 Clear Poly. C = .187 Clear Poly. D = .250 Clear Poly. E = .375 Clear Poly. F = .125 Clear Temp. Glass G = .187 Clear Temp. Glass H = .250 Clear Temp. Glass O = None	A = .125 Prismatic Acrylic B = .125 Prismatic Poly. C = .156 Prismatic Poly. D = .125 White Frosted Polycarbonate(LC3) E = .156 Prismatic Tempered Glass(C73)	A = .080 Aluminium B = 18 Ga. CRS C = 18 Ga. 304 Stainless Steel	1 = Clear Specular (standard) 2 = Clear Semi-Specular 3 = Antimicrobial Low Gloss White 4 = Champagne Gold	12 = 120V 27 = 277V 34 = 347V UN = Universal (120V-277V)	E1 = Emergency Battery Pack 650 Lumens FZ = Fuse DM = Dimming Ballast TH = Torx Head screws (with center pins) NI = Non-IP65 Application

3-10-16

Notes:
Specifications and Dimensions are subject to change without notice. For additional options and dimensional details please consult your New Star Lighting Representative. For specific electronic ballast, specify brand and catalog number.

