

VICTORY WIDE FLUORESCENT

VIC2W/VIC3W/VIC4W

SPECIFICATION FEATURES

- HOUSING:** Marine grade extruded aluminum frame with cast aluminum endcaps. Includes knockouts for surface conduit and tandem mounting.
- LENS:** Linear ribbed clear and white polycarbonate lens available in two thicknesses.
- LENS RETENTION:** Unique swing rail design for ease of lens removal for maintenance.
- ELECTRONICS:** Electronic Ballast <10% THD standard.
- REFLECTOR:** Faceted 22Ga. specular aluminum for maximum rigidity and controlled light distribution.
- FASTENERS:** Phillips flat head screws (3 screws on each side).
- FINISH:** 5 stage wash and pre-treatment with a white polyester powder coat finish.
- GASKET:** EPDM gasketing to prevent water and dust infiltration.



- APPLICATION:** Public Areas, Corridors, Stairways, Underpasses, Parking Garages, Restrooms, Lobbies, Schools, and more.
- MOUNTING:** Surface Wall Mount Installation.
- LABEL:** Fixture is certified to UL standards by Intertek Testing Laboratories.



ORDERING INFORMATION

PRODUCT FAMILY	NOMINAL SIZE <small>*Dimensional Data Pg. 2</small>	STYLE	# OF LAMPS	LAMP TYPE	# OF BALLSTS
VIC	2 = 2ft. 3 = 3ft. 4 = 4ft.	W = Wide	1 = 1 Lamp 2 = 2 Lamp 3 = 3 Lamp • 4 = 4 Lamp	VIC2W 14 = Lin. 14W T5 17 = Lin. 17W T8 24 = Lin. 24W T5 (H.O.) VIC3W: 21 = Lin. 21W T5 25 = Lin. 25W T8 39 = Lin. 39W T5 (H.O.) VIC4W: 28 = Lin. 28W T5 32 = Lin. 32W T8 54 = Lin. 54W T5 (H.O.)	1 = 1 Ballast 2 = 2 Ballast 3 = 3 Ballast 4 = 4 Ballast

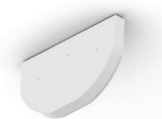
LENS	VOLTAGE	FINISH	OPTIONS
RW = .09 Ribbed White Poly. (standard) RC = .09 Ribbed Clear Poly. (standard) RWC = .15 Ribbed White Poly. RCC = .15 Ribbed Clear Poly.	12 = 120V 27 = 277V 34 = 347V UN = Universal (120V-277V)	WH = White CC = Custom Color	PC OC TM DE E1 TH E2 NAT DB UST PR PM CM FZ

KEY

PC = Photocell (Flat end cap only)
TM = Tandem Mount Option, consult factory.
E1 = Emergency Battery Low
E2 = Emergency Battery High
DB = Dimming Ballast
PR = Program Rapid Start
CM = Corner Mount
FZ = Fuse*

OC = Occupancy Sensor
DE = Decorative end caps
TH = Torx Head Screws
NAT = Natatorium finish
UST = Unistrut Mounting Plate
PM = Pendant Mount

* Cannot use with UN voltage
• Cannot use with Occ Sensor



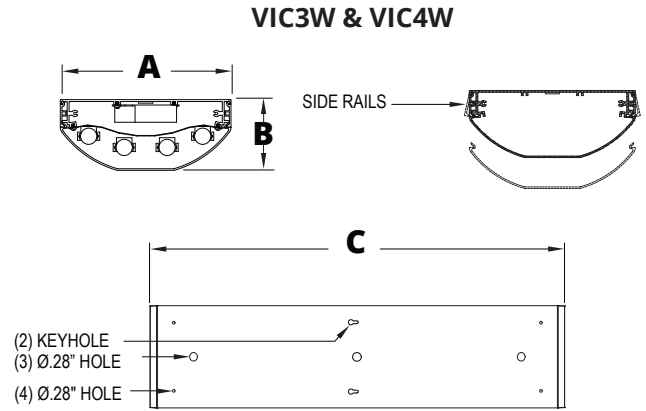
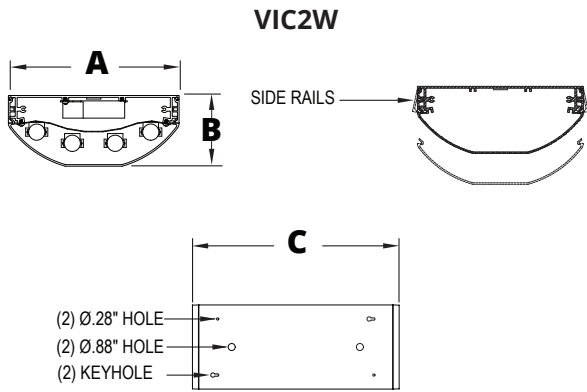
Standard (flat) End Cap Decorative End Cap

Notes:
Specifications and Dimensions are subject to change without notice.
For additional options and dimensional details please consult your New Star Lighting Representative.

VICTORY WIDE FLUORESCENT

VIC2W/VIC3W/VIC4W

DIMENSIONAL DATA



	A	B	C
VIC2W	10.50"	4.35"	25.80"
VIC3W	10.50"	4.35"	37.81"
VIC4W	10.50"	4.35"	49.80"

Notes:
 Specifications and Dimensions are subject to change without notice.
 For additional options and dimensional details please consult your New Star Lighting Representative.