

# 57MB22-57MB24

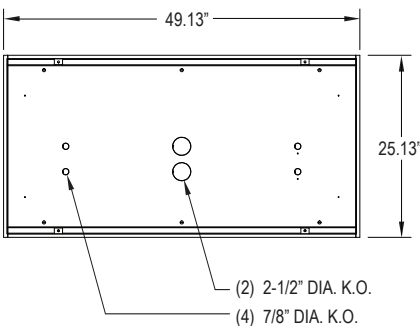
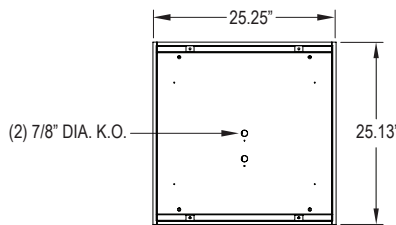
## BEHAVIORAL SERIES

HEALTHCARE FLANGE LUMINAIRE

FLUORESCENT/LED  
FLANGE



### DIMENSIONAL



### FEATURES

The New Star "57MB22-57MB24" Behavioral Flange fixture is designed for recessed ceiling applications

- 18-14 gauge cold rolled or stainless steel
- 16 gauge full length continuous staked piano hinge with welded ends
- Wide variety of lens options held in place with Z-Channel and weld studs
- Torx head center pin screws standard
- Black neoprene gasket around interior door frame to prevent light leaks.
- Wet location optional

### APPLICATION

- Confinement
- Psychiatric Wards
- Detention Centers
- Public Housing Complexes
- Transportation Applications
- Locker Rooms
- Athletic Facilities

### SPECIFICATION FEATURES

#### HOUSING:

Die formed, seam welded, and ground smooth (specify material and gauge). Incorporates a removable reflector unitized with all electrical components for easy installation and maintenance.

#### FRAME:

Die formed one-piece frame with tightly closed corners. (material and gauge to match housing).

#### HINGE:

16 gauge full length continuous, staked piano hinge, with welded ends. to prevent removal (material to match housing).

#### LENS / LENS RETENTION:

Lens per specification (see options) and secured by "Z" retainers with weld studs spaced six inches apart for maximum strength.

#### ELECTRONICS:

**Fluorescent:**  
Electronic Ballast <10% THD standard. RIF available. Lamps by others.

#### LED:

Available in three standard color temperatures 3500°K, 4000°K & 5000°K. Other color temperatures available, consult factory.

#### LED NIGHT LIGHT:

Integrated switch allows light selection at 100%, 70%, 40% and 10% levels

#### GASKET:

Black neoprene gasket around interior door frame to prevent light leaks.

#### FASTENERS:

Tamper resistant countersunk, flat head Torx screws with center pin reject

#### FINISH:

White powercoat finish following an iron phosphate pre-treatment.

#### LABEL:



### ORDERING INFORMATION

Product Family	Housing	Frame	# of Lamps	Lamp Type	# Ballasts/Drivers		
<b>57MB</b> -							
<b>57MB22</b> 25-2/16" x 25-1/4" x 4-1/4"	<b>B</b> = 14 Ga. CRS <b>C</b> = 16 Ga. CRS <b>D</b> = 18 Ga. CRS <b>E</b> = 14 Ga. SS <b>F</b> = 16 Ga. SS <b>G</b> = 18 Ga. SS <b>H</b> = 14 Ga. SS(Painted) <b>J</b> = 16 Ga. SS(Painted) <b>K</b> = 18 Ga. SS(Painted)	<b>B</b> = 14 Ga. CRS <b>C</b> = 16 Ga. CRS <b>E</b> = 14 Ga. SS(Brushed) <b>F</b> = 16 Ga. SS(Brushed) <b>H</b> = 14 Ga. SS(Painted) <b>J</b> = 16 Ga. SS(Painted)	<b>Fluorescent:</b> <b>57MB22-57MB24</b> 3 = 3 Lamp 4 = 4 Lamp 6 = 6 Lamp <b>LED 57MB22:</b> L2 = LED 2 Rw (25W) L3 = LED 3 Rw (37.5W) L4 = LED 4 Rw (50W)	<b>LED 57MB24:</b> L2 = LED 2 Row (50W) L3 = LED 3 Row (75W) L4 = LED 4 Row (100W) L5 = LED 5 Row (125W) L6 = LED 6 Row (150W)	<b>Fluorescent:</b> <b>57MB22:</b> 17 = Linear 17W T8 14 = Linear 14W T5 24 = Linear 24W T5 HO 40 = 40 Twin 2Gx11 (4 lamp only) U6 = 32W U-Lamp ≠ (6" leg spacing)	<b>Fluorescent:</b> <b>57MB24:</b> 32 = Linear 32W T8 28 = Linear 28W T5 54 = Linear 54W T5 HO <b>LED:</b> 35 = White 3500°K 40 = White 4000°K 50 = White 5000°K	<b>Fluorescent:</b> 1 = Ballast 2 = Ballast <b>LED:</b> 1 = Driver 2 = Driver

Outer Lens	Inner Lens	Voltage	Options
<p>Ø = No Lens    5 = .187 Clear Temp. Glass A = .125 Clear Poly.    6 = .250 Clear Temp. Glass B = .156 Clear Poly.    7 = .375 Clear Temp. Glass<sup>^</sup> 1 = .187 Clear Poly    8 = .500 Clear Temp. Glass<sup>^</sup> 2 = .250 Clear Poly.    9 = .750 Clear Temp. Glass<sup>^</sup> 3 = .375 Clear Poly.    LC3 = .125 White Frosted 4 = .500 Clear Poly.    Polycarbonate</p>	<p>Ø = No Lens A = .125 Prismatic Acrylic B = .125 Prismatic Polycarbonate C = .156 Prismatic Polycarbonate D = .187 Prismatic Polycarbonate E = .156 Prismatic Tempered Glass F = .156 Prismatic Acrylic G = .140 DR Acrylic</p>	<p>12 = 120V 27 = 277V 34 = 347V ■ UN = Universal (120V-277V)</p>	<p>DB = Ballast: Dimming (0-10V) * E1 = Emerg. Bat. Pack(450 Lumens) * ◀◀ E2 = Emerg. Bat. Pack (1100 Lumens) * ◀◀ EL1 = Emerg. Bat. LED Low EL2 = Emerg. Bat. LED High PR = Program. Rapid Start Ballast AH = Allenhead Screws with center pin reject</p> <p>NL = Fluorescent Night Light * LN = LED Night Light. Consult factory for available color /temperatures. FZ = Fuse Holder * WL = Wet Location UV = .005 UV Absorbing Overlay</p>

<sup>^</sup> Must Use 12 or 14 Gauge Frame  
\* Cannot use with universal voltage option

◀ Consult factory for T5 availability  
≠ 4 lamps only

■ Consult factory for lamp-ballast options



Notes:  
Specifications and Dimensions are subject to change without notice. For additional options and dimensional details please consult your New Star Lighting Representative. For specific electronic ballast, specify brand and catalog number.