

# 57MB22-57MB24

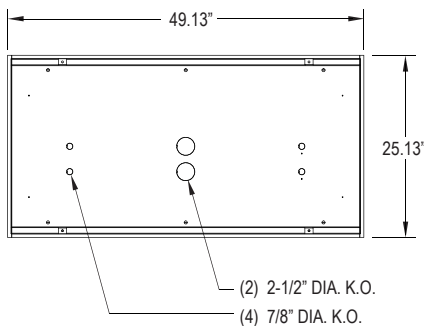
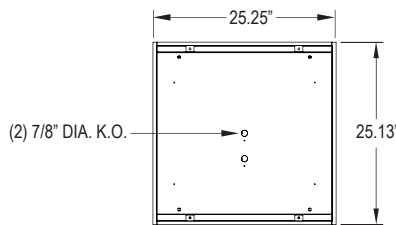
## BEHAVIORAL SERIES

HEALTHCARE FLANGE LUMINAIRE

FLUORESCENT/LED  
FLANGE



### DIMENSIONAL DATA



### ORDERING INFORMATION

Product Family	Housing	Frame	# of Lamps	Lamp Type	# Ballasts/Drivers		
<b>57MB</b> -							
57MB22 25-2/16" x 25-1/4" x 4-1/4"	B = 14 Ga. CRS C = 16 Ga. CRS D = 18 Ga. CRS E = 14 Ga. SS F = 16 Ga. SS G = 18 Ga. SS H = 14 Ga. SS (Painted) J = 16 Ga. SS (Painted) K = 18 Ga. SS (Painted)	B = 14 Ga. CRS C = 16 Ga. CRS E = 14 Ga. SS (Brushed) F = 16 Ga. SS (Brushed) H = 14 Ga. SS (Painted) J = 16 Ga. SS (Painted)	Fluorescent: 57L22-57L24 3 = 3 Lamp 4 = 4 Lamp 6 = 6 Lamp LED 57L22: L2 = LED 2 Rw (25W) L3 = LED 3 Rw (37.5W) L4 = LED 4 Rw (50W)	LED 57L24: L2 = LED 2 Row (50W) L3 = LED 3 Row (75W) L4 = LED 4 Row (100W) L5 = LED 5 Row (125W) L6 = LED 6 Row (150W)	Fluorescent: 57MB22: 17 = Linear 17W T8 14 = Linear 14W T5 24 = Linear 24W T5 HO 40 = 40 Twin 2Gx11 (4 lamp only) U6 = 32W U-Lamp ≠ (6" leg spacing)	Fluorescent: 57MB24: 32 = Linear 32W T8 28 = Linear 28W T5 54 = Linear 54W T5 HO LED: 35 = White 3500°K 40 = White 4000°K 50 = White 5000°K	Fluorescent: LED: 1 = Ballast 2 = Ballast 1 = Driver 2 = Driver

Outer Lens	Inner Lens	Voltage	Options
Ø = No Lens A = .125 Clear Poly. B = .156 Clear Poly. 1 = .187 Clear Poly. 2 = .250 Clear Poly. 3 = .375 Clear Poly. 4 = .500 Clear Poly.	5 = .187 Clear Temp. Glass 6 = .250 Clear Temp. Glass 7 = .375 Clear Temp. Glass 8 = .500 Clear Temp. Glass 9 = .750 Clear Temp. Glass LC3 = .125 White Frosted Polycarbonate	Ø = No Lens A = .125 Prismatic Acrylic B = .125 Prismatic Polycarbonate C = .156 Prismatic Polycarbonate D = .187 Prismatic Polycarbonate E = .156 Prismatic Tempered Glass F = .156 Prismatic Acrylic G = .140 DR Acrylic	12 = 120V 27 = 277V 34 = 347V UN = Universal (120V-277V)
DB = Ballast: Dimming (0-10V) * E1 = Emerg. Bat. Pack (450 Lumens) * E2 = Emerg. Bat. Pack (1100 Lumens) * EL1 = Emerg. Bat. LED Low EL2 = Emerg. Bat. LED High PR = Program. Rapid Start Ballast AH = Allenhead Screws with center pin reject			NL = Fluorescent Night Light * LN = LED Night Light. Consult factory for available color /temperatures. FZ = Fuse Holder * WL = Wet Location UV = .005 UV Absorbing Overlay

^ Must Use 12 or 14 Gauge Frame  
\* Cannot use with universal voltage option

◀ Consult factory for T5 availability  
≠ 4 lamps only

■ Consult factory for lamp-ballast options

### FEATURES

The New Star "57MB22-57MB24" Behavioral Flange fixture is designed for recessed ceiling applications

- 18-14 gauge cold rolled or stainless steel
- 16 gauge full length continuous staked piano hinge with welded ends
- Wide variety of lens options held in place with Z-Channel and weld studs
- Torx head center pin screws standard
- Black neoprene gasket around interior door frame to prevent light leaks.
- Wet location optional

### APPLICATION

- Confinement
- Psychiatric Wards
- Detention Centers
- Public Housing Complexes
- Transportation Applications
- Locker Rooms
- Athletic Facilities

### SPECIFICATION FEATURES

#### HOUSING:

Die formed, seam welded, and ground smooth (specify material and gauge). Incorporates a removable reflector unitized with all electrical components for easy installation and maintenance.

#### FRAME:

Die formed one-piece frame with tightly closed corners. (material and gauge to match housing).

#### HINGE:

16 gauge full length continuous, staked piano hinge, with welded ends. to prevent removal (material to match housing).

#### LENS / LENS RETENTION:

Lens per specification (see options) and secured by "Z" retainers with weld studs spaced six inches apart for maximum strength.

#### ELECTRONICS:

Fluorescent:  
Electronic Ballast <10% THD standard. RIF available. Lamps by others.

#### LED:

Available in three standard color temperatures 3500°K, 4000°K & 5000°K. Other color temperatures available, consult factory.

#### LED NIGHT LIGHT:

Integrated switch allows light selection at 100%, 70%, 40% and 10% levels

#### GASKET:

Black neoprene gasket around interior door frame to prevent light leaks.

#### FASTENERS:

Tamper resistant countersunk, flat head Torx screws with center pin reject

#### FINISH:

White powercoat finish following an iron phosphate pre-treatment.

#### LABEL:

