

# STARTILE 22-24 LV LED

AGG22-LV, AGG24-LV

## SPECIFICATION FEATURES

- HOUSING/FRAME:** 20 gauge formed cold rolled steel fixture frame.
- LENS:** Opal Polycarbonate with Specular Polystyrene Louver. Optional .125 Prismatic Acrylic.
- LED:** Available in four color temperatures 3000°K, 3500°K, 4200°K, and 5700°K. Other color temperatures available, consult factory.
- POWER SUPPLY:** LED Driver included (integral).  
Input Voltage: AC120V-277V.  
AGG22-LV: Input Power 40.0W.  
AGG24-LV: Input Power 75.0W.
- MOUNTING:** Grid units allow for quick and easy installation. Earthquake clips standard.



### APPLICATION:

Hotels, Nursing Homes, Medical Offices, Schools, Lobbies, Offices, and more.

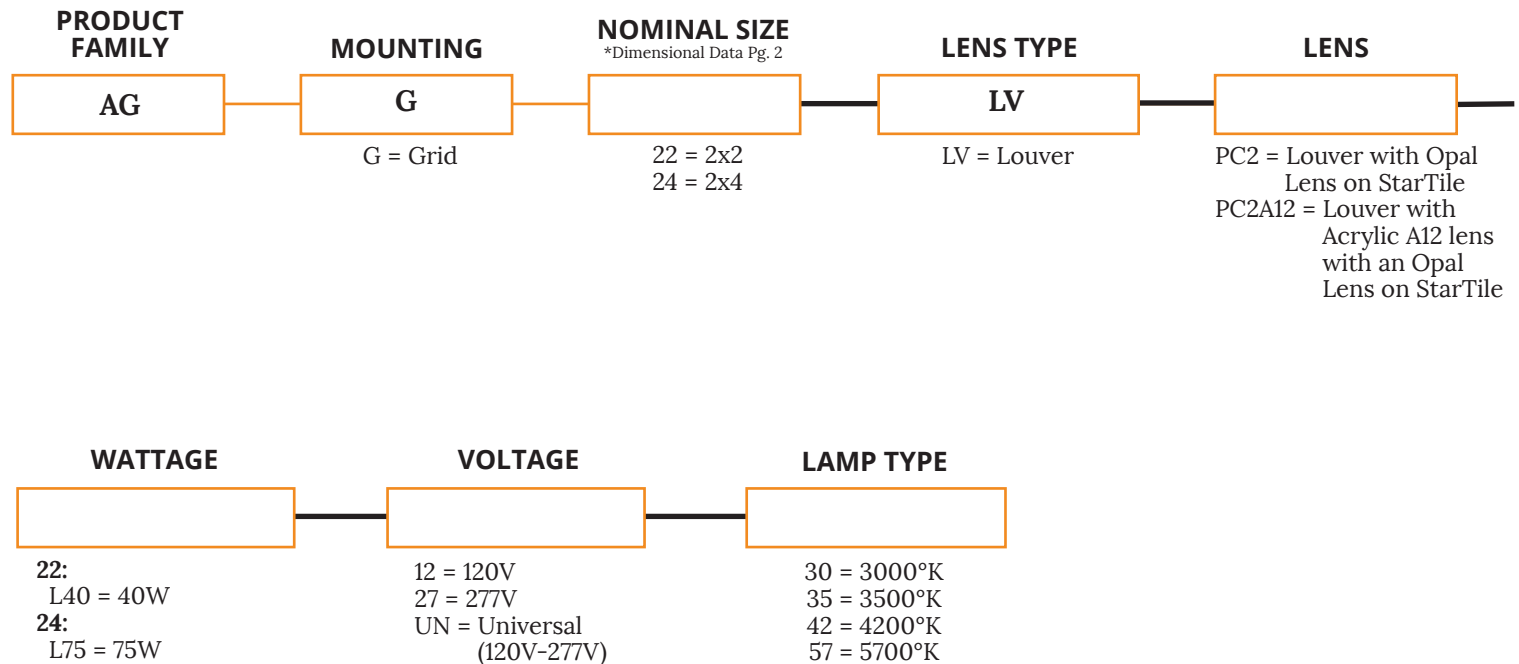
### LABEL:

Fixture is certified to UL standards for Damp Location.



## ORDERING INFORMATION

Ex: AGG22-LV-PC2-L40-UN-35

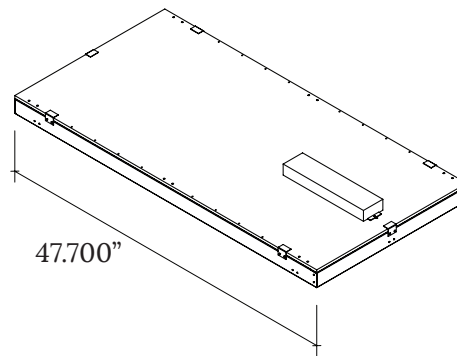
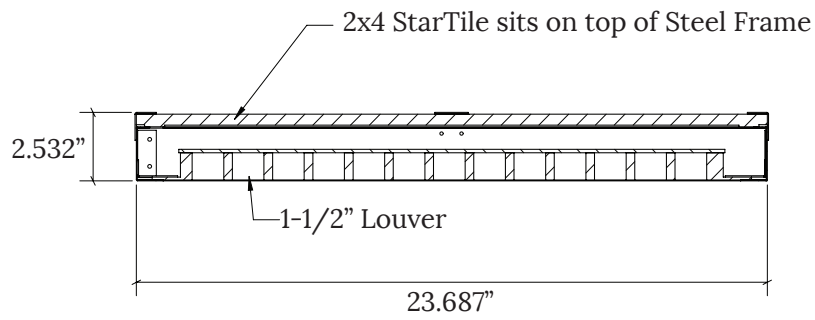


# STARTILE 22-24 LV LED

AGG22-LV, AGG24-LV



## DIMENSIONAL DATA



Notes:  
Specifications and Dimensions are subject to change without notice.  
For additional options and dimensional details please consult your New Star Lighting Representative.