

**STARTILE 11-14 LED**  
AGS11/AGS14/AGG11/AGG14/AGF11/AGF14

**SPECIFICATION FEATURES**

- HOUSING:** Fixture Frame White Extruded Aluminum. Surface fixtures have a cold rolled steel back pan. Flange fixtures have an external frame in cold rolled steel.
- LENS:** Opal Polycarbonate lens standard.
- LED:** Available in four white color temperatures 3000°K, 3500°K, 4200°K and 5700°K. Other color temperatures available, consult factory. Optional Tunable White, operates via DMX. Standard 0-10V dimming with 10-100% range.
- POWER SUPPLY:** LED Driver Included.  
Surface Mount has remote driver.  
Grid/Flange Mount has an integral driver.  
Input Voltage: AC120V-277V  
AG11: Input Power 18.0W  
AG14: Input Power 40.0W



**APPLICATION:**  
Hospitals, Patient Rooms, Exam Rooms, Public Areas, Hotels, Dental Offices, Schools, Offices, and more.

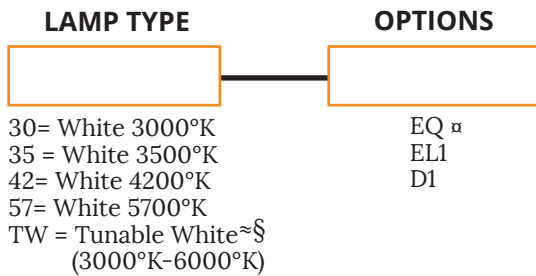
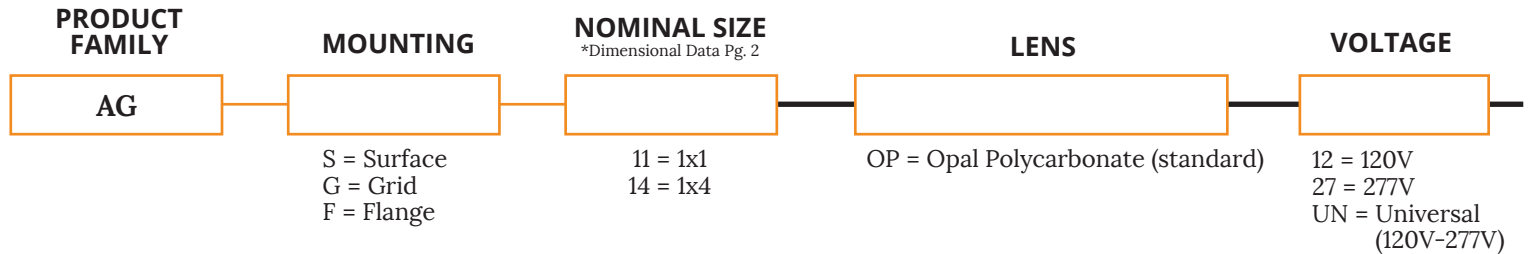
**MOUNTING:**  
Mounting screws are not provided.

**LABEL:**  
Fixture is listed for UL Damp Location.



**ORDERING INFORMATION**

Ex: AGS14-OP-UN-TW

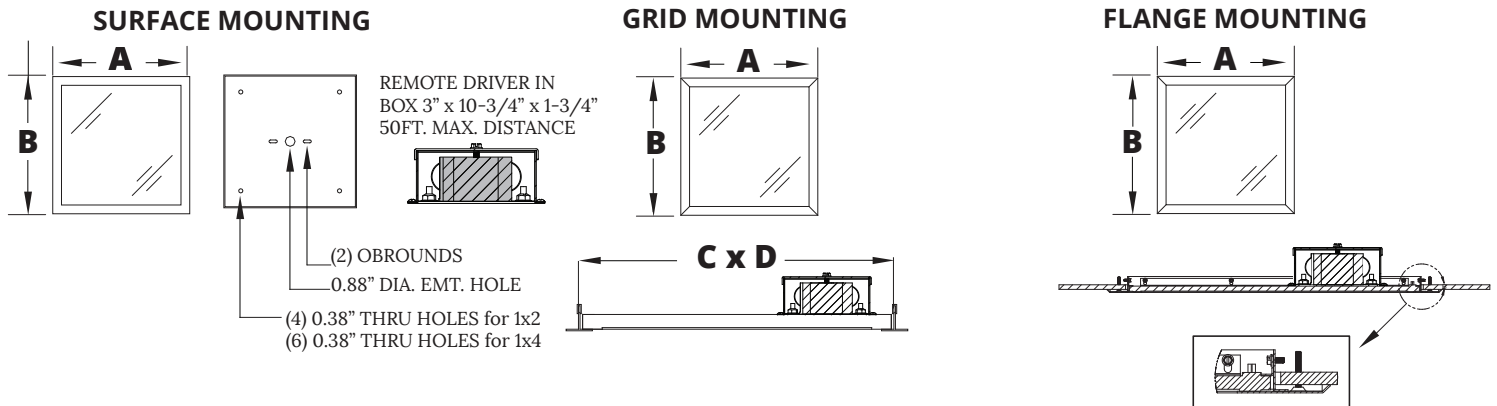


**KEY**

- |                            |                              |
|----------------------------|------------------------------|
| EQ = Earthquake Clips α    | ≈ Operates via DMX           |
| EL1 = Emerg. Batt. LED Low | § Not available in 14 (1x4)  |
| D1 = Dimming Driver 1%     | α Can only be used with Grid |

Notes:  
Image is a 1x4 StarTile  
Specifications and Dimensions are subject to change without notice.  
For additional options and dimensional details please consult your New Star Lighting Representative.

## DIMENSIONAL DATA



|       | A             | B              | C          | D          | Depth        | Recommended Ceiling Cut-Out |
|-------|---------------|----------------|------------|------------|--------------|-----------------------------|
| AGS11 | <b>12.00"</b> | <b>12.00"</b>  | -          | -          | <b>1.00"</b> | <b>N/A</b>                  |
| AGS14 | <b>12.00"</b> | <b>47.375"</b> | -          | -          | <b>1.00"</b> | <b>N/A</b>                  |
| AGG11 | <b>11.81"</b> | <b>11.81"</b>  | <b>12"</b> | <b>12"</b> | <b>0.56"</b> | <b>N/A</b>                  |
| AGG14 | <b>11.81"</b> | <b>47.75"</b>  | <b>12"</b> | <b>48"</b> | <b>0.56"</b> | <b>N/A</b>                  |
| AGF11 | <b>15.50"</b> | <b>15.50"</b>  | -          | -          | <b>1.30"</b> | <b>12.483" x 12.438"</b>    |
| AGF14 | <b>15.38"</b> | <b>50.813"</b> | -          | -          | <b>1.30"</b> | <b>12.438" x 47.1875"</b>   |

## PERFORMANCE DATA

| Model | Lamp Type | Lumens (Delivered) | Efficacy (lm/w) | Input Power (W) | Current (ma) | Est. L70 LED Life (hours) |
|-------|-----------|--------------------|-----------------|-----------------|--------------|---------------------------|
| AG11  | 3000°K    | 1500               | 83              | 18              | 450          | 50000                     |
|       | 3500°K    | 1600               | 88              | 18              | 450          | 50000                     |
|       | 4200°K    | 1760               | 98              | 18              | 450          | 50000                     |
|       | 5700°K    | 1800               | 100             | 18              | 450          | 50000                     |
| AG14  | 3000°K    | 3800               | 95              | 40              | 1100         | 50000                     |
|       | 3500°K    | 3900               | 97.5            | 40              | 1100         | 50000                     |
|       | 4200°K    | 4000               | 100             | 40              | 1100         | 50000                     |
|       | 5700°K    | 4080               | 102             | 40              | 1100         | 50000                     |

Notes:  
 Performance Data subject to change without notice.  
 Specifications and Dimensions are subject to change without notice.  
 For additional options and dimensional details please consult your New Star Lighting Representative.