

# STARTILE MRI 22-24 LED

AGS22/AGS24/AGG22/AGG24/AGF22/AGF24

## SPECIFICATION FEATURES

- HOUSING:** Fixture Frame White Extruded Aluminum. Non-ferrous material content. Surface fixtures have an aluminum back pan. Flange fixtures have an aluminum external frame.
- LENS:** Opal Polycarbonate lens standard.
- LED:** Available in four white color temperatures 3000°K, 3500°K, 4200°K and 5700°K. Other color temperatures available, consult factory. Standard 0-10V dimming with 10-100% range.
- POWER SUPPLY:** LED Driver Included. Driver must be remote mount outside of MRI room (50ft. max). MRI room EMI filter required (supplied by others).  
 Input Voltage: AC120V-277V  
 AG22: Input Power 40.0W (must order Power Supply separately)  
 AG24: Input Power 75.0W (must order Power Supply separately)



**APPLICATION:**

MRI Rooms.

**MOUNTING:**

Mounting screws are not provided.

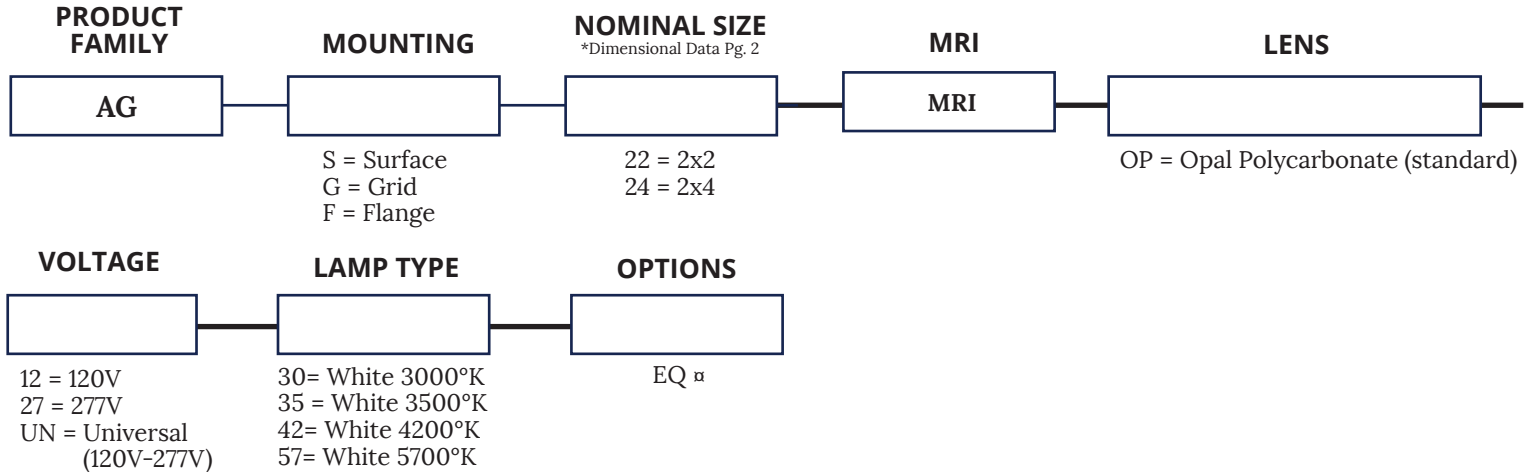
**LABEL:**

Fixture is listed for UL Damp Location.



## STARTILE MRI ORDERING INFORMATION

Ex: AGS24-MRI-OP-UN-35

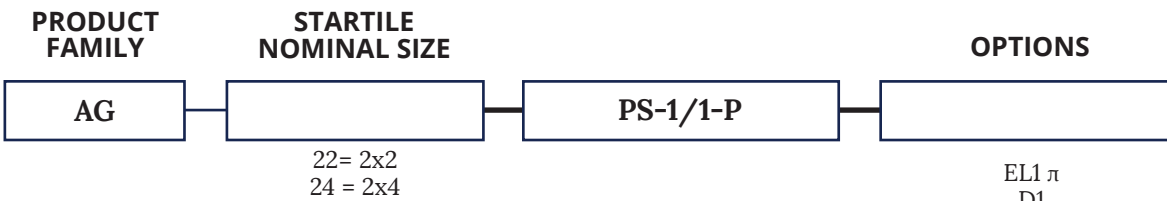


### KEY

EQ α = Earthquake Clips α      α Can only be used with Grid

## REMOTE POWER SUPPLY ORDERING INFORMATION

StarTile MRI fixtures supplied with LED Driver. Driver must be remote mount outside of MRI Room (50ft. max). One Driver inside one Box to power one fixture (maximum). Consult factory for additional options. MRI room EMI filter required (supplied by others). Note, each Power Supply requires individual Filter. Consult factory for additional Power Supply configurations.



### KEY

EL1 = Emerg. Batt. LED Low π  
D1 = Dimming Driver 1%

π Remote battery distance equals half the remote driver distance. Consult factory for more information

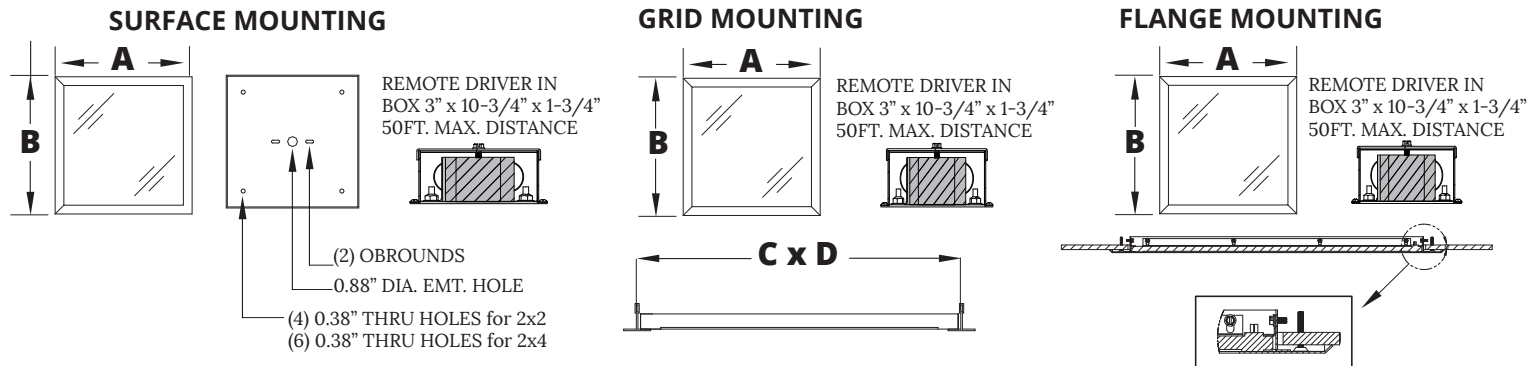
Notes:  
 Image is a 2x4 StarTile  
 Specifications and Dimensions are subject to change without notice.  
 For additional options and dimensional details please consult your New Star Lighting Representative.

# STARTILE MRI 22-24 LED

AGS22/AGS24/AGG22/AGG24/AGF22/AGF24



## DIMENSIONAL DATA



	A	B	C	D	Depth	Recommended Ceiling Cut-Out
AGS22	<b>23.77"</b>	<b>23.77"</b>	-	-	<b>1.00"</b>	<b>N/A</b>
AGS24	<b>23.81"</b>	<b>47.93"</b>	-	-	<b>1.00"</b>	<b>N/A</b>
AGG22	<b>23.62"</b>	<b>23.62"</b>	<b>24"</b>	<b>24"</b>	<b>0.56"</b>	<b>N/A</b>
AGG24	<b>23.62"</b>	<b>47.62"</b>	<b>24"</b>	<b>48"</b>	<b>0.56"</b>	<b>N/A</b>
AGF22	<b>27.188"</b>	<b>27.188"</b>	-	-	<b>1.30"</b>	<b>24.188" x 24.188"</b>
AGF24	<b>50.813"</b>	<b>27.188"</b>	-	-	<b>1.30"</b>	<b>24.188" x 50.813"</b>

## PERFORMANCE DATA

Model	Lamp Type	Lumens (Delivered)	Efficacy (lm/w)	Input Power (W)	Current (ma)	Est. L70 LED Life (hours)
AG22	3000°K	3800	95	40	1100	50000
	3500°K	3900	97.5	40	1100	50000
	4200°K	4000	100	40	1100	50000
	5700°K	4080	102	40	1100	50000
AG24	3000°K	7300	97	75	2140	50000
	3500°K	7400	98	75	2140	50000
	4200°K	7500	100	75	2140	50000
	5700°K	7650	102	75	2140	50000

Notes:  
 \* Performance Data subject to change without notice.  
 Specifications and Dimensions are subject to change without notice.  
 For additional options and dimensional details please consult your New Star Lighting Representative.