

STARTILE MRI 11-14 LED

AGS11/AGS14/AGG11/AGG14/AGF11/AGF14

SPECIFICATION FEATURES

- HOUSING:** Fixture Frame White Extruded Aluminum. Non-ferrous material content. Surface fixtures have an aluminum back pan. Flange fixtures have an aluminum external frame.
- LENS:** Opal Polycarbonate lens standard.
- LED:** Available in four white color temperatures 3000°K, 3500°K, 4200°K and 5700°K. Other color temperatures available, consult factory. Standard 0-10V Meanwell dimming driver with 10-100% range.
- POWER SUPPLY:** LED Driver Included. Driver must be remote mount outside of MRI room. MRI room EMI filter required (supplied by others).
 Input Voltage: AC120V-277V
 AG11: Input Power 18.0W (must order Power Supply separately)
 AG14: Input Power 40.0W (must order Power Supply separately)

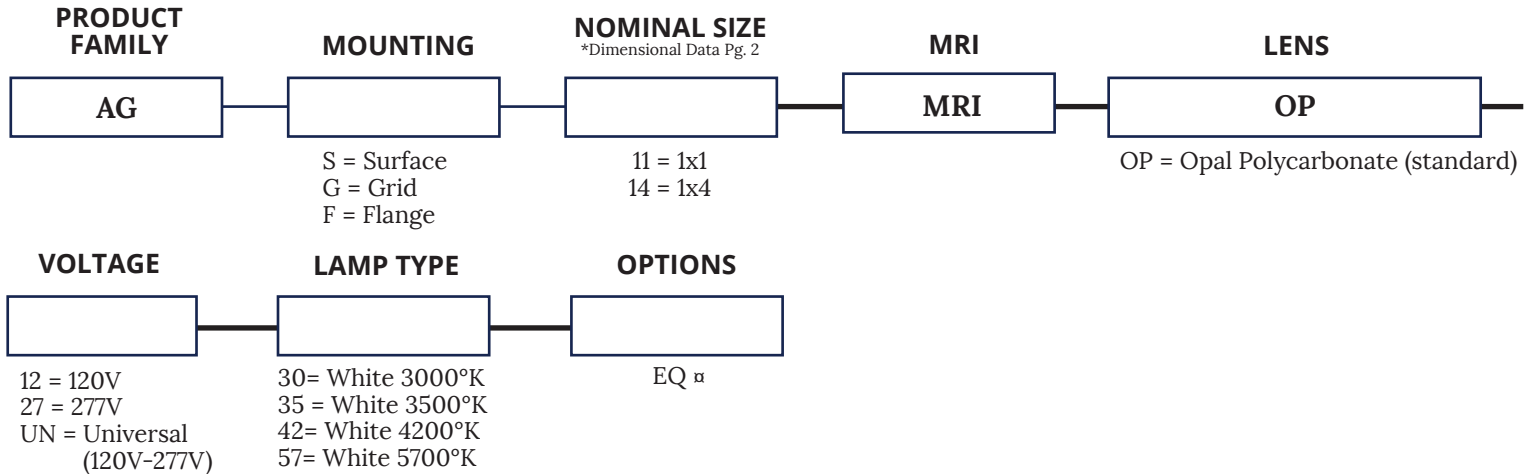


- APPLICATION:**
MRI Rooms.
- MOUNTING:**
Mounting screws are not provided.
- LABEL:**
Fixture is listed for UL Damp Location.



STARTILE MRI ORDERING INFORMATION

Ex: AGS14-MRI-OP-UN-35

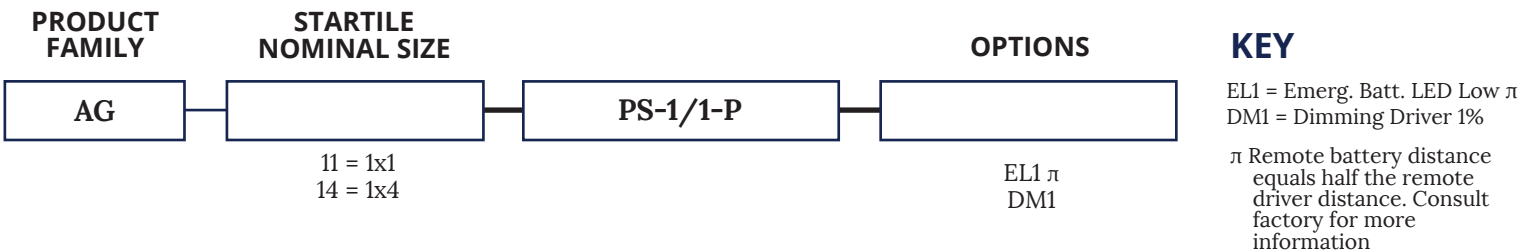


KEY

EQ = Earthquake Clips/Suspended π Can only be used with Grid mounting bracket clips π

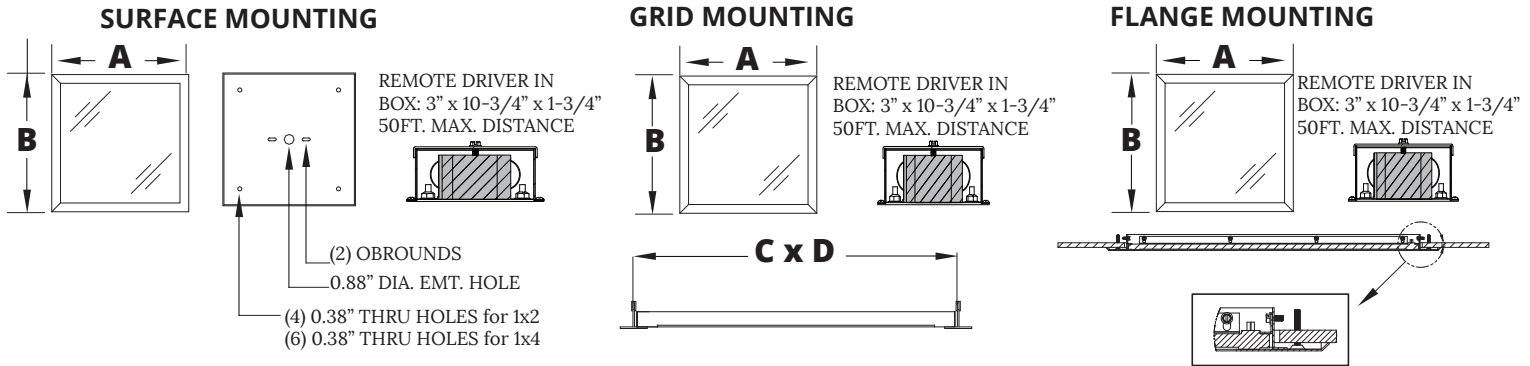
REMOTE POWER SUPPLY ORDERING INFORMATION

StarTile MRI fixtures supplied with LED Driver. Driver must be remote mount outside of MRI Room (50ft. max). One Driver inside one Box to power one fixture (maximum). Consult factory for additional options. MRI room EMI filter required (supplied by others). Note, each Power Supply requires individual Filter. Consult factory for additional Power Supply configurations.



Notes:
 Image is a 1x4 StarTile
 Specifications and Dimensions are subject to change without notice.
 For additional options and dimensional details please consult your New Star Lighting Representative.

DIMENSIONAL DATA



	A	B	C	D	Depth	Recommended Ceiling Cut-Out
AGS11	12.00"	12.00"	-	-	1.00"	N/A
AGS14	12.00"	47.375"	-	-	1.00"	N/A
AGG11	11.81"	11.81"	12"	12"	0.56"	N/A
AGG14	11.81"	47.75"	12"	48"	0.56"	N/A
AGF11	15.50"	15.50"	-	-	1.30"	12.483" x 12.438"
AGF14	15.38"	50.813"	-	-	1.30"	12.438" x 47.1875"

PERFORMANCE DATA

Model	Lamp Type	Lumens (Delivered)	Efficacy (lm/W)	Input Power (W)
AG11	3000°K	1344	74.1	18
	3500°K	1350	75	18
	4200°K	1400	75.9	18
	5700°K	1586	85.7	18
AG14	3000°K	3648	93.5	40
	3500°K	3786	95	40
	4200°K	3800	95.8	40
	5700°K	4305	108.2	40

Notes:

Performance Data subject to change without notice.

Specifications and Dimensions are subject to change without notice.

For additional options and dimensional details please consult your New Star Lighting Representative.