

HEALTHCARE NIGHT LIGHT LED

HNLHH/HNLHL/HNLOF/HNLVH

SPECIFICATION FEATURES

- FACEPLATE:** Durable die cast aluminum material. Available with four different faceplates: Horizontal Hood, Horizontal Louver, Open Frame (can be installed vertically or horizontally), and Vertical Hood.
- LED:** Available in 3 white color temperatures 3000°K, 4000°K and 5000°K. Amber LED's available. Consult factory for additional LED colors.
- ELECTRONICS:** Integrated embedded Driver (3W).
- FINISH:** Antimicrobial White (Standard) or Custom Color.



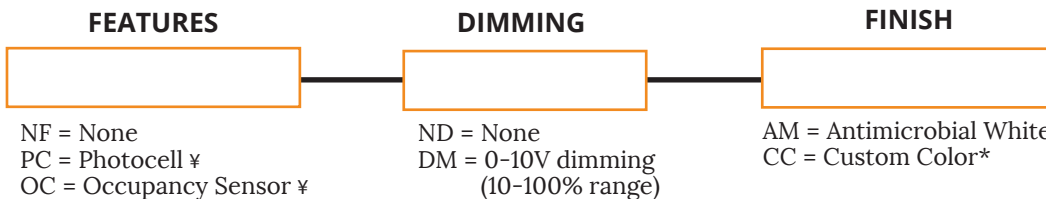
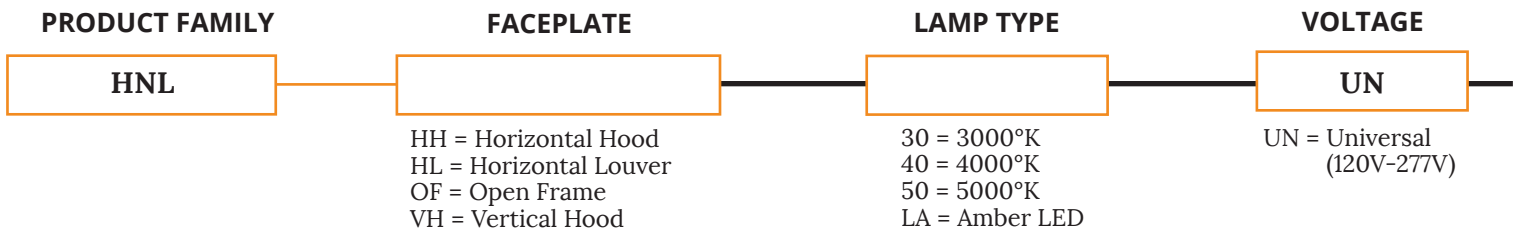
APPLICATION:
Patient Rooms, Surgical Suites, Medical Settings, Hallways, Foyers, Lobbies, and more.

LABEL:
Fixture is certified to UL standards.



ORDERING INFORMATION

Ex: HNLHH-30-UN-OC-DM-AM



KEY

- † Can only be used with HH
- Cannot select Photocell and Occ Sensor together
- * Custom color will be antimicrobial unless otherwise specified

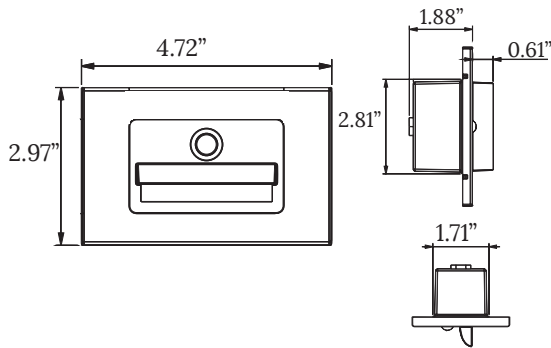
HEALTHCARE NIGHT LIGHT LED

HNLHH/HNLHL/HNLOF/HNLVH

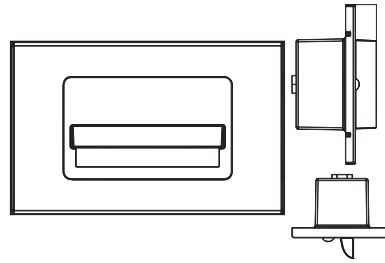


DIMENSIONAL DATA

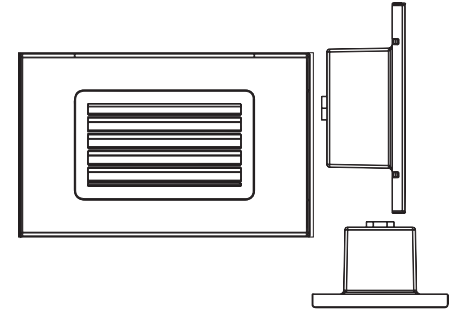
HORIZONTAL HOOD WITH PH / OC



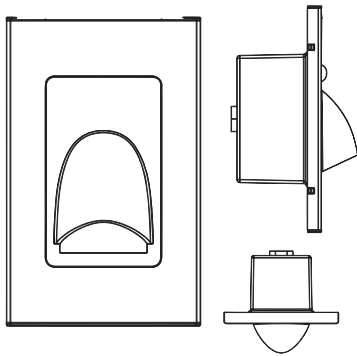
HORIZONTAL HOOD WITHOUT PH / OC



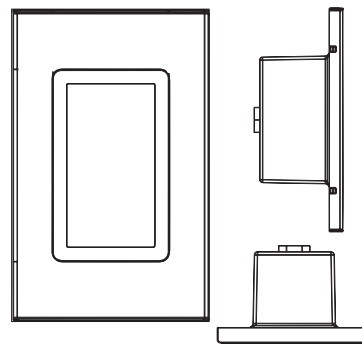
HORIZONTAL LOUVER



VERTICAL HOOD



**OPEN FRAME
(VERTICAL OR HORIZONTAL)**



PERFORMANCE DATA**

MODEL	LAMP TYPE	LUMENS DELIVERED	EFFICACY (lm/W)	INPUT POWER (W)
HNL-OF	3000°K	250	66	3.8
	4000°K	240	63	3.8
	5000°K	253	67	3.8
HNL-VH	3000°K	92	24	3.8
	4000°K	82	22	3.8
	5000°K	95	25	3.8
HNL-HH	3000°K	130	34	3.8
	4000°K	120	32	3.8
	5000°K	133	35	3.8
HNL-HL	3000°K	124	33	3.8
	4000°K	114	30	3.8
	5000°K	127	33	3.8

Notes:

Healthcare Night Lights have same dimensions regardless of faceplate

**Subject to change without notice

Specifications and Dimensions are subject to change without notice.

For additional options and dimensional details please consult your New Star Lighting Representative.