

User Manual – HNL Series

IMPORTANT SAFEGUARDS

- THIS PRODUCT MUST BE INSTALLED IN ACCORDANCE WITH THE APPLICABLE INSTALLATION CODE BY A PERSON FAMILIAR WITH THE CONSTRUCTION AND OPERATION OF THE PRODUCT AND THE HAZARDS INVOLVED.
- DISCONNECT POWER BEFORE BEGINNING INSTALLATION.
- FIXTURE MUST BE INSTALLED IN COMPLIANCE WITH THE NATIONAL ELECTRIC CODE AND ANY LOCAL CODES.
- TO BE INSTALLED ONLY BY A QUALIFIED ELECTRICIAN.
- PROPER GROUNDING IS REQUIRED TO INSURE PERSONAL SAFETY.
- READ ALL FIXTURE MARKINGS AND LABELS TO ENSURE CORRECT INSTALLATION OF FIXTURE.
- RISK OF FIRE, USE A MINIMUM OF 90°C SUPPLY CONNECTORS.

Quick Specs

Input voltage:

90-277Vac, 50/60Hz

Environment:

Wet location

Ambient temp.:

-20°C - 50°C

Dimming options:

Triac/0-10v/None

Power:

3W, 0.15A

Mounting box:

Single-gang junction box

Certifications:

UL and cUL listed

Sensor options:

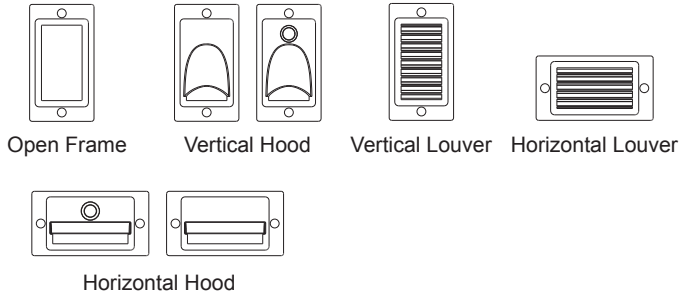
Occupancy/Photocell/None



Tel: 773. 847.1400 Web: www.newstarlighting.com

Add: 4000 South Bell Ave. Chicago IL 60609

Faceplate Options



Installation

CAUTION ▲

Turn off power at circuit breaker before installation.

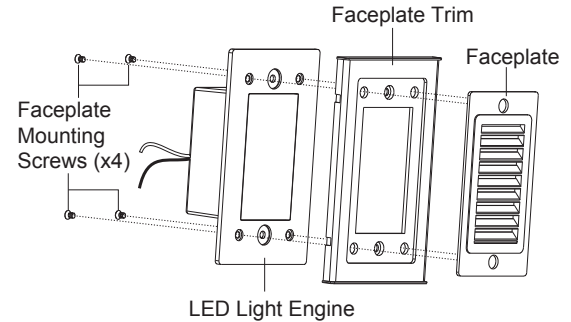
Step Light Assembly (when applicable):

1. Insert faceplate into faceplate trim. Align both components over LED light engine and fasten together using four mounting screws.

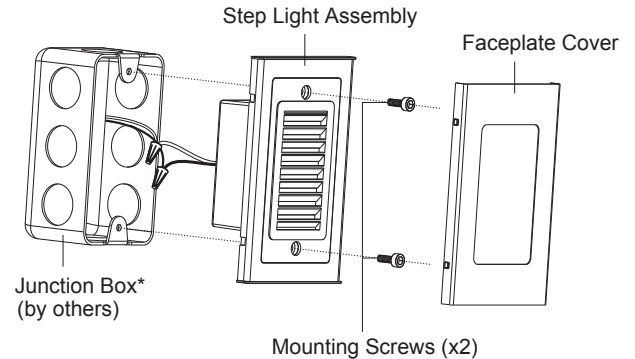
Step Light Installation:

1. Pull main power wires through junction box and attached ground to junction box chassis.
2. Connect step light hot (black) and neutral (white) conductors to appropriate building conductors.
3. Insert step light assembly into junction box cavity and secure in place using two mounting screws.
4. Snap faceplate cover over faceplate trim to complete installation.

Step Light Assembly



Step Light Installation



*Outdoor rated junction box required for exterior applications.