

**STARTILE VARA KAMIN'S IMPRESSIONS OF LIGHT®, INC. 11-14 LED**  
AGS11/AGS14/AGG11/AGG14/AGF11/AGF14

**SPECIFICATION FEATURES**

- HOUSING:** Fixture Frame White Extruded Aluminum. Surface fixtures have a cold rolled steel back pan. Flange fixtures have an external frame in cold rolled steel.
- LENS:** Images are from Vara Kamin's Impressions of Light®, Inc. (VKI). VKI Images are rich in color, movement and texture. Kamin's artwork stimulates active imagination and invites the viewer to a place of self-reflection. To find more information, visit www.newstarlighting.com. Configuration options on pages 3 and 4. Surface and Flange fixtures are unavailable in certain configurations, consult factory for options.
- LED:** Recommended color temperature for VKI Images is 4200°K. Other color temperatures available, consult factory. Standard 0-10V dimming driver with 10-100% range.
- POWER SUPPLY:** LED Driver Included.  
Surface Mount has remote driver.  
Grid/Flange Mount has an integral driver.  
Input Voltage: AC120V-277V  
AG11: Input Power 18.0W  
AG14: Input Power 40.0W



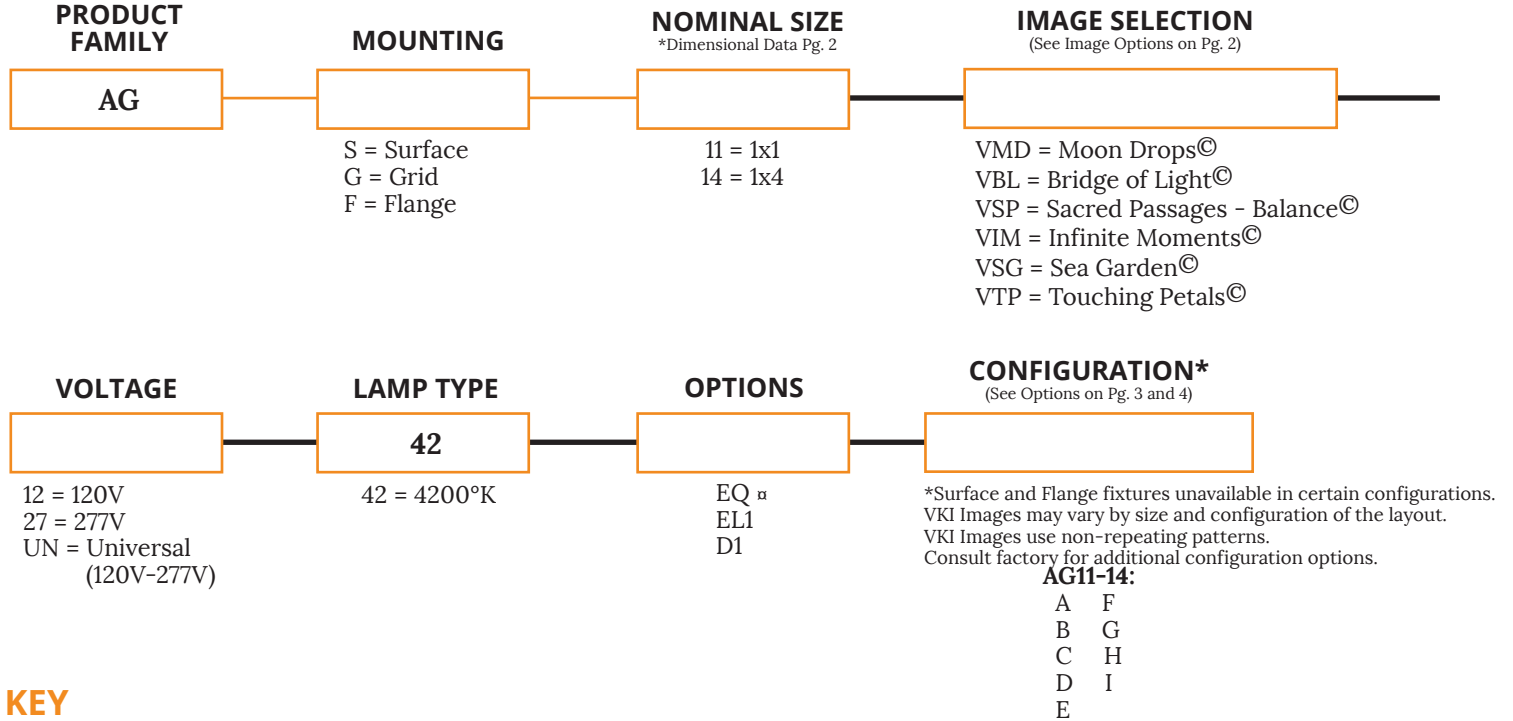
**APPLICATIONS:** Adult and Pediatric Patient Inpatient and Outpatient Clinical Care Settings, Pre and Post Sedation Rooms, Emergency Department Patient Exam and Holding Rooms, Diagnostic and Treatment Radiology Suites, Family Grief Rooms, Meditation Chapels, Wellness Centers and Medi-Spas, Specialty Dental Operatory, and more.

**LABEL:** Fixture is certified to UL standards for Damp Location.



**ORDERING INFORMATION**

Ex: AGS11-VMD-UN-42-A

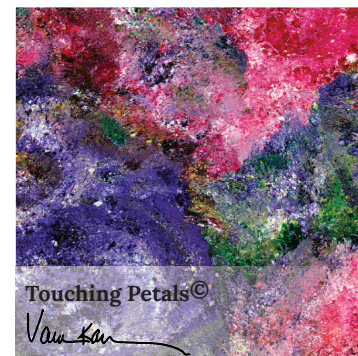
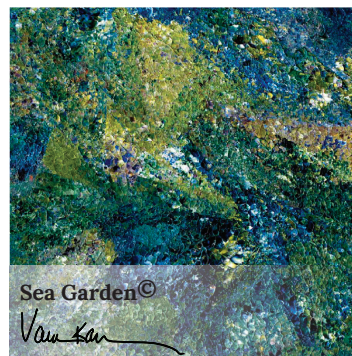
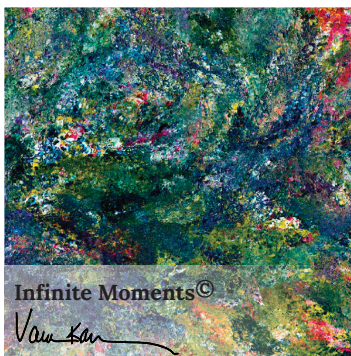
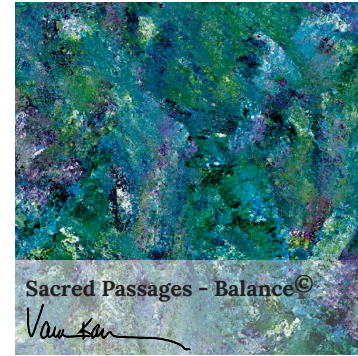
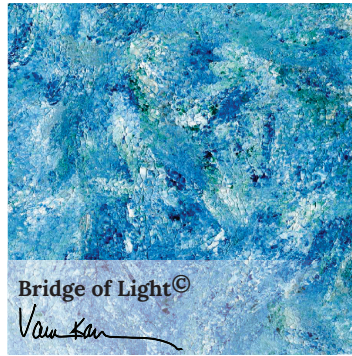
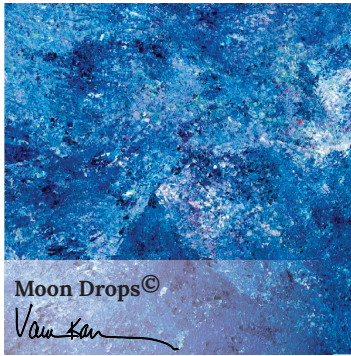


**KEY**

- EQ = Earthquake Clips α                      α Can only be used with Grid  
EL1 = Emerg. Batt. LED Low  
D1 = 0-10V dimming with 1-100% range

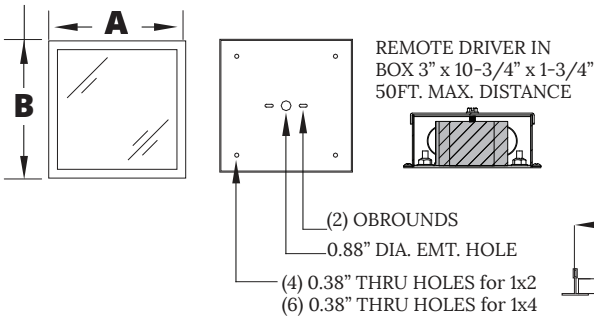
Notes:  
Image is Vara Kamin's Impressions of Light®, Inc. Moon Drops© (VMD)  
Specifications and Dimensions are subject to change without notice.  
For additional options and dimensional details please consult your New Star Lighting Representative.

## VKI IMAGE SELECTION

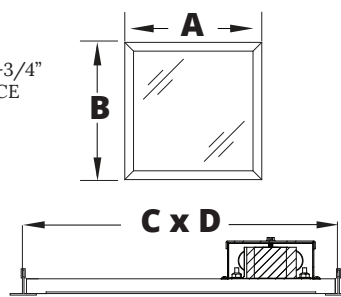


## DIMENSIONAL DATA

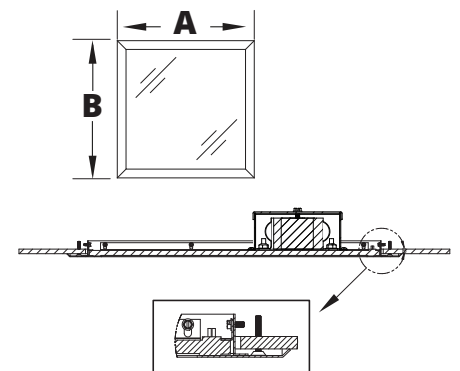
### SURFACE MOUNTING



### GRID MOUNTING



### FLANGE MOUNTING



|       | A      | B       | C   | D   | Depth | Recommended Ceiling Cut-Out |
|-------|--------|---------|-----|-----|-------|-----------------------------|
| AGS11 | 12.00" | 12.00"  | -   | -   | 1.00" | N/A                         |
| AGS14 | 12.00" | 47.375" | -   | -   | 1.00" | N/A                         |
| AGG11 | 11.81" | 11.81"  | 12" | 12" | 0.56" | N/A                         |
| AGG14 | 11.81" | 47.75"  | 12" | 48" | 0.56" | N/A                         |
| AGF11 | 15.50" | 15.50"  | -   | -   | 1.30" | 12.438" x 12.438"           |
| AGF14 | 15.38" | 50.813" | -   | -   | 1.30" | 12.312" x 48.062"           |

Notes:

VKI Images may vary by size and configuration of the layout. Consult your New Star Lighting Representative for more information.

Specifications and Dimensions are subject to change without notice.

For additional options and dimensional details please consult your New Star Lighting Representative.

## CONFIGURATION OPTIONS

\* Surface and Flange fixtures unavailable in certain configurations. VKI Images may vary by size and configuration of the layout. VKI Images use non-repeating patterns. Consult factory for alternate configurations. Images may need to be edited based upon configuration and quantity.

|         |    |    |    |    |   |   |   |   |   |   |   |   |  |
|---------|----|----|----|----|---|---|---|---|---|---|---|---|--|
| 1' x 1' |    |    |    |    |   |   |   |   |   |   |   |   |  |
|         |    | A  |    | B  |   |   | C |   |   | D |   |   |  |
|         |    | 1  |    | 1  | 2 |   | 1 | 2 |   | 1 |   |   |  |
|         |    |    |    | 3  | 4 |   |   |   |   | 2 |   |   |  |
|         | E  |    |    |    |   |   |   |   |   |   |   |   |  |
|         | 1  | 2  | 3  | 4  |   | F |   |   | G |   |   |   |  |
|         |    |    |    |    |   | 1 | 2 |   | 1 | 2 | 3 | 4 |  |
|         | H  |    |    |    |   | 3 | 4 |   | 5 | 6 | 7 | 8 |  |
|         | 1  | 2  | 3  | 4  |   | 5 | 6 |   | I |   |   |   |  |
|         | 5  | 6  | 7  | 8  |   | 7 | 8 |   | 1 | 2 | 3 |   |  |
|         | 9  | 10 | 11 | 12 |   |   |   |   | 4 | 5 | 6 |   |  |
|         | 13 | 14 | 15 | 16 |   |   |   |   | 7 | 8 | 9 |   |  |
|         |    |    |    |    |   |   |   |   |   |   |   |   |  |

Notes:  
 VKI Images may vary by size and configuration of the layout. Consult your New Star Lighting Representative for more information.  
 Specifications and Dimensions are subject to change without notice.  
 For additional options and dimensional details please consult your New Star Lighting Representative.

## CONFIGURATION OPTIONS

\* Surface and Flange fixtures unavailable in certain configurations. VKI Images may vary by size and configuration of the layout. VKI Images use non-repeating patterns. Consult factory for alternate configurations. Images may need to be edited based upon configuration and quantity.

|         |    |    |    |    |   |   |   |   |  |
|---------|----|----|----|----|---|---|---|---|--|
| 1' x 4' |    |    |    |    |   |   |   |   |  |
|         | A  |    | B  |    |   | C |   |   |  |
|         | 1  |    | 1  | 2  |   | 1 | 2 |   |  |
|         |    |    | 3  | 4  |   |   |   |   |  |
|         | D  |    |    |    |   |   |   |   |  |
|         | 1  |    | E  |    |   |   |   |   |  |
|         | 2  |    | 1  | 2  | 3 | 4 |   |   |  |
|         |    |    |    |    |   |   |   |   |  |
|         | F  |    |    | G  |   |   |   |   |  |
|         | 1  | 2  |    | 1  | 2 | 3 | 4 |   |  |
|         | 3  | 4  |    | 5  | 6 | 7 | 8 |   |  |
|         | 5  | 6  |    |    |   |   |   |   |  |
|         | 7  | 8  |    |    |   |   |   |   |  |
|         |    |    |    |    |   |   |   |   |  |
|         |    |    |    |    |   |   |   |   |  |
|         | H  |    |    |    |   | I |   |   |  |
|         | 1  | 2  | 3  | 4  |   | 1 | 2 | 3 |  |
|         | 5  | 6  | 7  | 8  |   | 4 | 5 | 6 |  |
|         | 9  | 10 | 11 | 12 |   | 7 | 8 | 9 |  |
|         | 13 | 14 | 15 | 16 |   |   |   |   |  |
|         |    |    |    |    |   |   |   |   |  |

Notes:  
 VKI Images may vary by size and configuration of the layout. Consult your New Star Lighting Representative for more information.  
 Specifications and Dimensions are subject to change without notice.  
 For additional options and dimensional details please consult your New Star Lighting Representative.