

33L SERIES FLUORESCENT

33LN2/33LN4/33LW2/33LW4

SPECIFICATION FEATURES

- HOUSING:** Die formed, seam welded, and ground smooth cold rolled steel or stainless steel. Incorporates a removable reflector unitized with all electrical components for easy installation and maintenance.
- BACKPLATE:** Die formed with contraband drop slot and embossed mounting holes (material to match housing). Security caulking between ceiling and fixture is not required with this backplate design.
- HINGE:** 16 gauge full length continuous, staked piano hinge with welded ends to prevent removal (material to match housing).
- LENS:** Outer and Inner lens options secured by "Z" retainers with weld studs spaced six inches apart for maximum strength.
- ELECTRONICS:** Electronic Ballast <10% THD standard. Lamps by others.
- FASTENERS:** Tamper resistant countersunk flat head Torx screws with center pin reject.
- FINISH:** White powder coat finish following iron phosphate pre-treatment.
- GASKET:** Black neoprene gasket around door frame to prevent light leaks.



APPLICATION:
Minimum to Supermax Confinement, Psychiatric Wards, Public Housing, Detention Centers, Transportation, Athletic Facilities, and more.

MOUNTING:
Surface installation.

LABEL:
Fixture is certified to UL standards.



ORDERING INFORMATION

Ex: 33LW2-A-2401-A/C-UN

PRODUCT FAMILY	STYLE	NOMINAL SIZE <small>*Dimensional Data Pg. 2</small>	GAUGE	# OF LAMPS	LAMP TYPE
33L	W = Wide N = Narrow	2 = 2ft. 4 = 4ft.	A = 12Ga. CRS B = 14Ga. CRS C = 16Ga. CRS D = 18Ga. CRS E = 14 Ga. SS (Brushed) F = 16Ga. SS (Brushed) G = 18Ga. SS (Brushed) H = 14Ga. SS (Painted) J = 16Ga. SS (Painted) K = 18Ga. SS (Painted)	33LW: 2 = 2 Lamp 3 = 3 Lamp 4 = 4 Lamp 33LN: 1 = 1 Lamp 2 = 2 Lamp	33L2: 17 = Linear 17W T8 14 = Linear 14W T5 24 = Linear 24W T5 HO 40 = 40 Twin 2Gx11 (2 Lamp only) 33L4: 32 = 32W T8 28 = 28W T5 54 = 54W T5 HO
# OF BALLASTS	OUTER LENS	INNER LENS	VOLTAGE	OPTIONS	
1 = 1 Ballast 2 = 2 Ballasts	0 = No Lens A = .125 Clear Poly. B = .156 Clear Poly. 1 = .187 Clear Poly 2 = .250 Clear Poly. 3 = .375 Clear Poly. 4 = .500 Clear Poly. 5 = .187 Clear Temp. Glass 6 = .250 Clear Temp. Glass 7 = .375 Clear Temp. Glass ^ 8 = .500 Clear Temp. Glass ^ 9 = .750 Clear Temp. Glass ^	0 = No Lens A = .125 Prismatic Acrylic B = .125 Prismatic Poly. C = .156 Prismatic Poly. D = .187 Prismatic Poly. E = .156 Prismatic Temp. Glass F = .156 Prismatic Acrylic G = .140 DR Acrylic LC3 = .125 White Frosted Poly.	12 = 120V 27 = 277V 34 = 347V ■ UN = Universal (120V-277V)	DB* E1* ◀ E2* ◀ PR AH FZ* WL UV NL*	

KEY

DB = Dimming Ballast (0-10V)*
E1 = Emerg. Ballast (450lm)* ◀
E2 = Emerg. Ballast (1350lm)* ◀
PR = Program Rapid Start
RF = RIF (Radio Interference Filter)*

AH = Allenhead Scres with center pin reject
FZ = Fuse*
WL = Wet Location
UV = .005 UV Absorbing Overlay
NL = Night Light*

* Cannot use with UN voltage
^ Must use with 12Ga. or 14Ga. Frame
◀ Consult factory for T5 availability
■ Consult factory for lamp-ballast options

Notes:
Specifications and Dimensions are subject to change without notice.
For additional options and dimensional details please consult your New Star Lighting Representative.

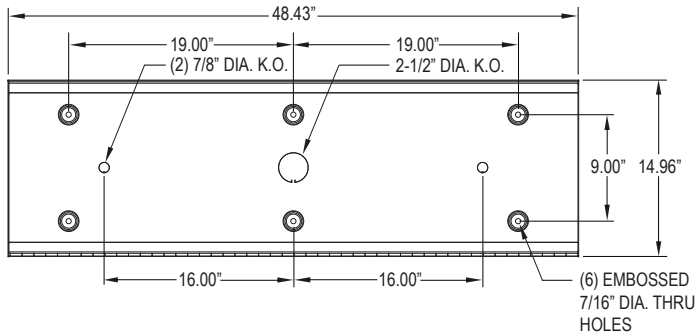
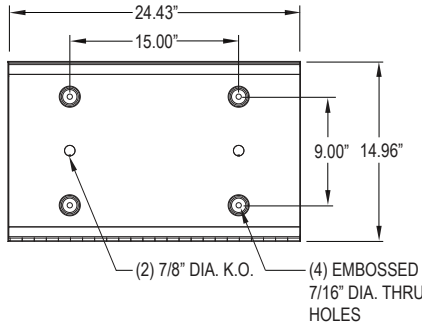
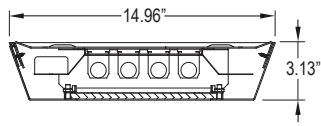
33L SERIES FLUORESCENT

33LN2/33LN4/33LW2/33LW4

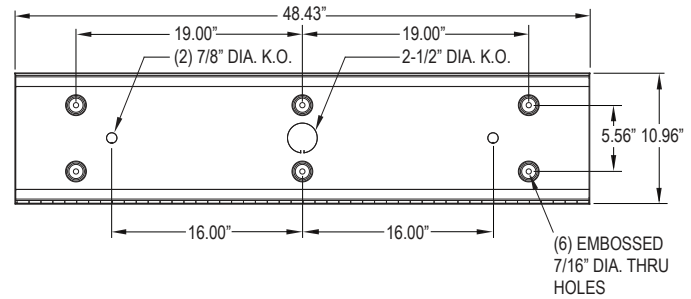
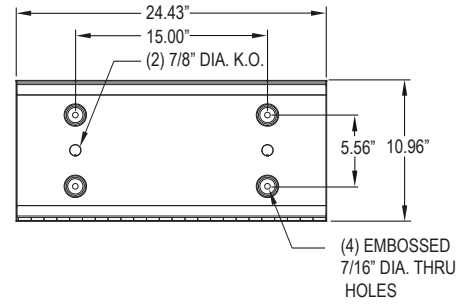
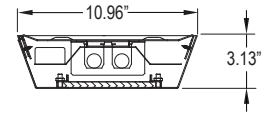


DIMENSIONAL DATA

WIDE (W)



NARROW (N)



Notes:
 Specifications and Dimensions are subject to change without notice.
 For additional options and dimensional details please consult your New Star Lighting Representative.