

# 37M22-37M24

## CONFINEMENT SERIES

FLANGE LUMINAIRE

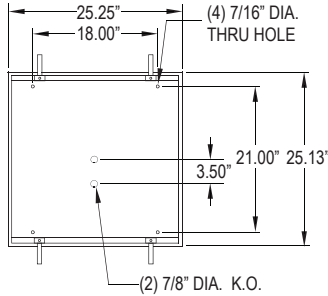
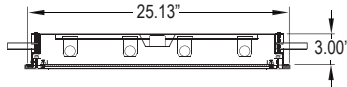
MINIMUM TO MAXIMUM SECURITY  
FLUORESCENT/LED



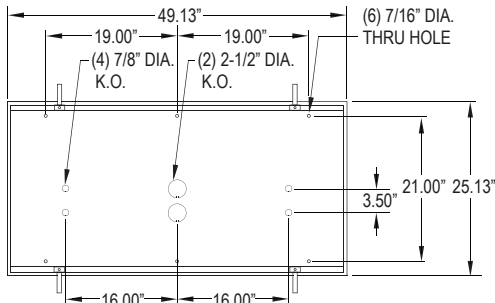
Made in America



### DIMENSIONAL DATA



CEILING CUT-OUT: 24-3/8" x 24-3/8"



CEILING CUT-OUT: 48-3/8" x 24-3/8"

### ORDERING INFORMATION

#### Product Family

**37M\_**

**37M22**  
25-1/8" x 25-1/4" x 3"  
**37M24**  
25-1/8" x 49-1/8" x 3"

#### Housing

A = 12 Ga. CRS H = 14 Ga. SS  
B = 14 Ga. CRS (Painted)  
C = 16 Ga. CRS J = 16 Ga. SS  
D = 18 Ga. CRS (Painted)  
E = 14 Ga. SS K = 18 Ga. SS  
F = 16 Ga. SS (Painted)  
G = 18 Ga. SS

#### Frame

A = 12 Ga. CRS H = 14 Ga. SS  
B = 14 Ga. CRS (Painted)  
C = 16 Ga. CRS J = 16 Ga. SS  
E = 14 Ga. SS (Brushed)  
F = 16 Ga. SS (Brushed)

#### # of Lamps

**Fluorescent:**  
**37M22-37M24**  
2 = 2 Lamp  
3 = 3 Lamp  
4 = 4 Lamp  
6 = 6 Lamp  
**LED 37M22:**  
L2 = LED 2 Rw (25W)  
L3 = LED 3 Rw (37.5W)  
L4 = LED 4 Rw (50W)  
L5 = LED 5 Rw (62.5W)  
L6 = LED 6 Rw (75W)  
L7 = LED 7 Rw (87.5W)  
L8 = LED 8 Rw (100W)

#### Lamp Type

**37M22:**  
17 = Linear 17W T8  
14 = Linear 14W T5  
24 = Linear 24W T5  
40 = 40 Twin 2Gx11 (4 Lamp)  
U6 = 32W U-Lamp # 40 (6" leg-spacing)

**37M24:**  
32 = 32W T8  
28 = 28W T5  
54 = 54W T5  
HO  
HO  
**LED:**  
35 = White 3500°K  
40 = White 4000°K  
50 = White 5000°K



#### Outer Lens

Ø = No Lens  
A = .125 Clear Poly.  
B = .156 Clear Poly.  
1 = .187 Clear Poly.  
2 = .250 Clear Poly.

#### Inner Lens

Ø = No Lens  
A = .125 Pris. Acrylic  
B = .125 Pris. Poly.  
C = .156 Pris. Poly.  
D = .187 Pris. Poly.

#### Voltage

12 = 120V  
27 = 277V  
34 = 347V  
UN = Universal (120V-277V)

#### Options

DB = Ballast: Dimming (0-10V) \*  
SD2 = Step Dim. Module(50-100%)▲  
SD3 = Step Dim. Module(25-50-100%)▲  
SD3A=Step Dim. Module(33-66-100%)▲  
E1 = Emerg.Ballast (450 Lumens)\* ◀◀  
E2 = Emerg.Ballast (1350 Lumens)\* ◀◀  
PR = Program. Rapid Start Ballast  
AH = Allenhead Screws w/cntr pin reject  
NL = Fluorescent Night Light \*

LN = LED Night Light. Consult factory for available color /temperatures.  
FZ = Fuse Holder \*  
WL = Wet Location  
UV = .005 UV Absorbing Overlay  
PF = Plaster Frame & Yolk  
CB = Cross Bar

- ▲ Must Use 12 or 14 Gauge Frame
- \* Cannot use with universal voltage option
- ◀ Consult factory for T5 availability

- Consult factory for lamp-ballast options
- ▲ Not available in 277V
- ◆ 2 lamp only
- ◆ Not available in LED

PROJECT: \_\_\_\_\_

TYPE: \_\_\_\_\_

PRODUCT: \_\_\_\_\_

APPROVED: \_\_\_\_\_

DATE: \_\_\_\_\_

### FEATURES

The New Star 37M22-37M24 " Confinement flange fixture is designed for application in ressed drywall ceiling with a low profile energy and material saving design.

- 18-14 gauge cold rolled or stainless steel
- 16 gauge full length continuous staked piano hinge with welded ends
- Wide variety of lens options held in place with z-Channel and weld studs
- Swing arm mounting system for easy installation
- Optional wet location
- Dimming Driver (0-10V) standard
- Dimming 1% available
- Optional plaster frame yoke assembly available
- Torx head center pin screws standard
- Black neoprene gasket around interior door frame to prevent light leaks.

### APPLICATION

- Confinement
- Psychiatric Wards
- Detention Centers
- Public Housing Complexes
- Athletic Facilities
- Locker Rooms

### SPECIFICATION FEATURES

#### HOUSING:

Die formed, seam welded, and ground smooth (specify material and gauge). Incorporates a removable reflector unitized with all electrical components for easy installation and maintenance.

#### FRAME:

Die formed one-piece frame with tightly closed corners. (material and gauge to match housing).

#### HINGE:

16 gauge full length continuous, staked piano hinge, with welded ends. to prevent removal (material to match housing).

#### LENS / LENS RETENTION:

Lens per specification (see options) and secured by "Z" retainers with weld studs spaced six inches apart for maximum strength.

#### ELECTRONICS:

Fluorescent:  
Electronic Ballast <10% THD standard. RIF available. Lamps by others.

#### LED:

Available in three standard color temperatures 3500°K, 4000°K & 5000°K. Other color temperatures available, consult factory.

#### LED NIGHT LIGHT:

Integrated switch allows light selection at 100%,70%,40% and 10% levels

#### GASKET:

Black neoprene gasket around interior door frame to prevent light leaks.

#### FASTENERS:

Tamper resistant countersunk, flat head Torx screws with center pin reject

#### FINISH:

White powdercoat finish following an iron phosphate pre-treatment.

#### INSTALLATION:

Easy installation with adjustable 90° swing arm system standard.

#### LABEL:

#### Notes:

Specifications and Dimensions are subject to change without notice. For additional options and dimensional details please consult your New Star Lighting Representative. For specific electronic ballast, specify brand and catalog number.





# LED BOARDS	# ROWS	WATTAGE	EFFICACY (lm/W)	DELIVERED LUMENS
<b>37M22:</b>				
L2	2 Rw	(25W)	110	2,750 LMS
L3	3 Rw	(37.5W)	110	4,125 LMS
L4	4 Rw	(50W)	110	5,500 LMS
L5	5 Rw	(62.5W)	110	6,875 LMS
L6	6 Rw	(75.0W)	110	8,250 LMS
L7	7 Rw	(87.5W)	110	9,625 LMS
L8	8 Rw	(100W)	110	11,000 LMS
<b>37M24:</b>				
L2	2 Rw	(50W)	110	5,500 LMS
L3	3 Rw	(75W)	110	8,250 LMS
L4	4 Rw	(100W)	110	11,000 LMS
L5	5 Rw	(125W)	110	13,750 LMS
L6	6 Rw	(150W)	110	16,500 LMS
L7	7 Rw	(175W)	110	19,625 LMS
L8	8 Rw	(200W)	110	22,000 LMS
<p>* TAKE AN ADDITIONAL 20% OFF DELIVERED LUMENS WHEN SPECIFYING THE LC3 LENS</p>				