

51CF 2-4

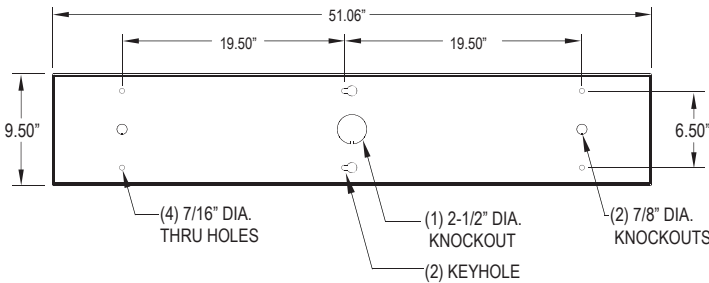
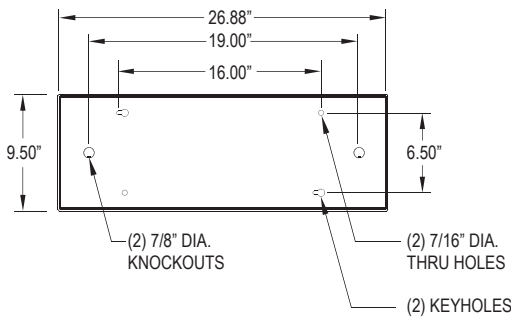
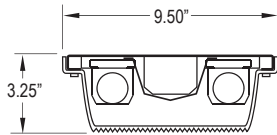
HIGH ABUSE SERIES

LINEAR LUMINAIRE
FLUORESCENT/LED



| |
|-----------|
| PROJECT: |
| TYPE: |
| PRODUCT: |
| APPROVED: |
| DATE: |

DIMENSIONAL DATA



FEATURES

The New Star "51CF2-51CF4" High Abuse fixture is an extreme durable fixture designed for use in wet, damp and dusty locations where security lighting is absolutely required

- Optional wet location
- Entire fixture is completely enclosed in a high pressure injection molded polycarbonate lens
- Heavy gauge interior metal components are iron phosphate pretreated and finished in an oven baked polyester powder coat

APPLICATION

- Apartment Buildings
- School Campuses
- Public Housing Complexes
- Transportation Terminals
- Utility Corridors
- Hotels
- Freezer Units
- Stairwells
- Locker Rooms
- Detention Centers
- Military Barracks
- Hospitals
- Public Washrooms
- Park Field Houses

SPECIFICATION FEATURES

HOUSING:

16 GA CRS die formed with multiple bends for maximum strength and rigidity.

LENS:

.177" thick pressure molded high impact U.V. stabilized clear prismatic polycarbonate lens that completely encloses the fixture to provide a totally non-corrosive exterior surface.

ELECTRONICS:

Fluorescent:
Electronic Ballast <10% THD standard.
Lamps by others.

LED:

Available in three standard color temperatures 3500°K, 4000°K & 5000°K. Other color temperatures available, consult factory.

REFLECTOR:

CRS, removable and unitized with all electrical components for easy installation and maintenance.

GASKET:

Gasket to prevent water infiltration.

FASTENERS:

Tamper resistant Torx head screws with center pin reject. (6) total

FINISH:

Powdercoat finish in white following a 5 step iron phosphate pre-treatment.

LABEL:



ORDERING INFORMATION

| Product Family | # of Lamps | Lamp Type | # Ballast/Driver | Voltage | Options |
|-------------------------------------|--|--|--|--|--|
| 51CF_ | | | | | |
| 51CF2 9-1/2" x 26-7/8" x 3-1/4" | Fluorescent: 51HCF2-51HCF4 2 = 2 Lamp | LED: 35 = White 3500° K 40 = White 4000° K 50 = White 5000° K | Fluorescent: 1 = 1 Ballast 2 = 2 Ballast | 12 = 120V 27 = 277V 34 = 347V ■ ◆ UN = Universal (120V-277V) | PR = Program Rapid Start ◆ E1 = Emergency Battery Pack ◆ (450 Lumens) E2 = Emergency Battery Pack ◆ (1350 Lumens) EL1 = Emerg. Bat. LED Low EL2 = Emerg. Bat. LED High SS = Stainless Steel Housing (#4 Brushed Finish) AH = Allen Head screws (with center pin) WL = Wet Location (covered ceiling only) CW = Cold Weather ballast (-30°C) T8 Lamp Only FZ = Fuse* |
| 51CF4 9-1/2" x 51-1/16" x 3-1/4" | LED 51HCF2: L2 = LED 2 R.w.(25W) (2,750 lms) | 51CF2 17 = Linear 17W T8 14 = Linear 14W T5 24 = Linear 24W T5 (H.O.) 51CF4 32 = Linear 32W T8 28 = Linear 28W T5 54 = Linear 54W T5 (H.O.) | LED: 1 = Driver 2 = Driver | | |

* Cannot use with UN voltage option
■ Consult factory for lamp-ballast options

◆ Not available in LED



Notes:
Specifications and Dimensions are subject to change without notice. For additional options and dimensional details please consult your New Star Lighting Representative. For specific electronic ballast, specify brand and catalog number.