

51HC 2-4

HIGH ABUSE SERIES

LINEAR LUMINAIRE
FLUORESCENT/LED

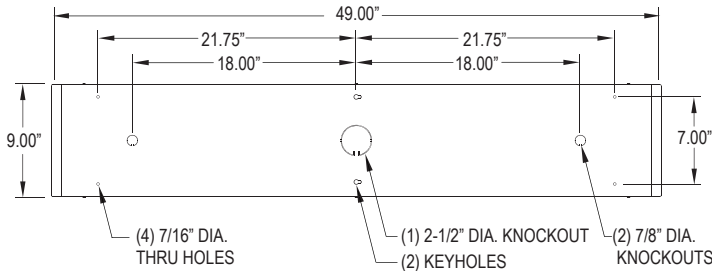
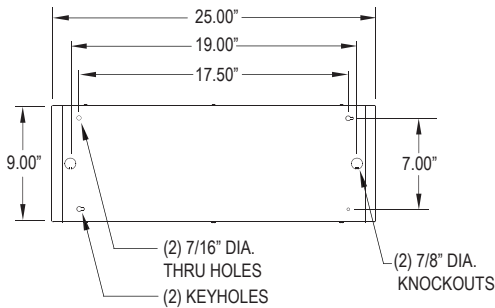
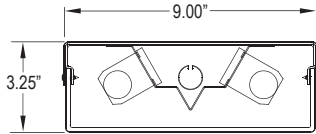


Made in America



PROJECT:
TYPE:
PRODUCT:
APPROVED:
DATE:

DIMENSIONAL DATA



FEATURES

The New Star "51HC2-51HC4" High Abuse fixture is an extreme durable linear fixture designed for locations where rugged security lighting is absolutely required

- High abuse linear luminaire constructed of heavy gauge steel and prismatic polycarbonate lens
- Housing is pretreated with iron phosphate and finished in oven baked polyester powder coat
- Tamper resistant hardware removable knockouts to accept surface conduit
- Optional wet location

APPLICATION

- Apartment Buildings
- School Campuses
- Public Housing Complexes
- Transportation Terminals
- Utility Corridors
- Hotels
- Freezer Units
- Stairwells
- Locker Rooms
- Detention Centers
- Military Barracks
- Hospitals
- Public Washrooms
- Park Field Houses

SPECIFICATION FEATURES

HOUSING:

16G CRS (cold rolled steel) internally reinforced to provide double wall thickness at ends and corners.

LENS:

.125" impact resistant Clear Prismatic UV stabilized Polycarbonate diffuser. (Other thicknesses available - see ordering information).

REFLECTOR:

CRS, removable and unitized with all electrical components for easy installation and maintenance.

ELECTRONICS FLUORESCENT:

Electronic Ballast <10% THD standard. Lamps by others.

LED:

Available in three standard color temperatures 3500°K, 4000°K & 5000°K. Other color temperatures available, consult factory.

LED NIGHT LIGHT:

Integrated switch allows light selection at 100%, 70%, 40% and 10% levels

FASTENERS:

Tamper resistant Torx head screws with center pin reject. (6) total.

FINISH:

Powdercoat finish in white following a 5 step iron phosphate pre-treatment.

LABEL:



ORDERING INFORMATION

Product Family	# of Lamp	Lamp Type	# of Ballast	Lens	Voltage
51HC_	-	-	-	-	-
51HC2 9" x 25" x 3-1/4"	FLUORESCENT 51HC2: 2 = 2 Lamp	51HC2 LED: L2 = LED 2 Rw (25.0W)	Fluorescent: 1 = 1 Ballast 2 = 2 Ballast	B = .125" Prismatic Polycarbonate C = .156" Prismatic Polycarbonate	12 = 120V 27 = 277V
51HC4 9" x 49" x 3-1/4"	FLUORESCENT 51HC4: 2 = 2 Lamp	51HC4 LED: L2 = LED 2 Rw (50W)	LED: 35 = White 3500° K 42 = White 4200° K 50 = White 5000° K	D = .187" Prismatic Polycarbonate	34 = 347V ■ UN = Universal (120V-277V)
		51HC2 17 = Linear 17W T8 14 = Linear 14W T5 24 = Linear 24W T5 (H.O.)			
		51HC4 32 = Lin. 32W T8 28 = Lin. 28W T5 54 = Lin. 54W T5 (H.O.)			

Options

PR = Program Rapid Start	SS = Stainless Steel Housing (#4 Brushed Finish)
E1 = Emergency Battery Pack * (450 Lumens)	WL = Wet Location (covered ceiling only)
E2 = Emergency Battery Pack * (1350 Lumens)	CW = Cold Weather ballast (-30°C) T8 Lamp only
EL1 = Emerg. Bat. LED Low	AH = Allen Head screws (w/center pin)
EL2 = Emerg. Bat. LED High	PM = Pendant Mount
FZ = Fuse *	

* Cannot use with UN voltage option ■ Consult factory for lamp-ballast options
▲ Consult factory for T5 availability

3-10-16



Notes:
Specifications and Dimensions are subject to change without notice. For additional options and dimensional details please consult your New Star Lighting Representative. For specific electronic ballast, specify brand and catalog number.

