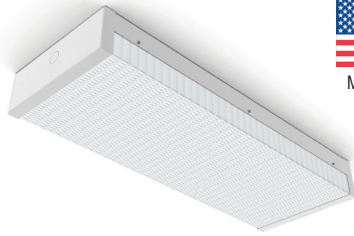


51HD4

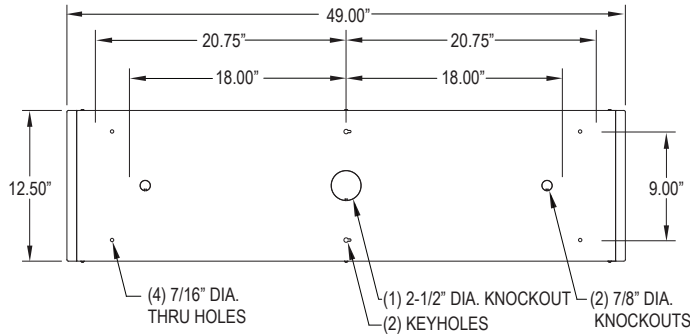
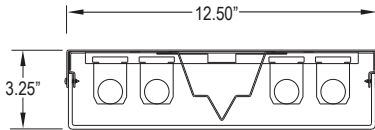
HIGH ABUSE SERIES

LINEAR LUMINAIRE
FLUORESCENT/LED



PROJECT:
TYPE:
PRODUCT:
APPROVED:
DATE:

DIMENSIONAL DATA



FEATURES

The New Star "51HD4" High Abuse fixture is an extreme durable linear fixture designed for locations where rugged security lighting is absolutely required

- High abuse linear luminaire constructed of heavy gauge steel and prismatic polycarbonate lens
- Housing is pretreated with iron phosphate and finished in oven baked polyester powder coat
- Tamper resistant hardware
- Optional wet location

APPLICATION

- Apartment Buildings
- School Campuses
- Public Housing Complexes
- Transportation Terminals
- Utility Corridors
- Hotels
- Freezer Units
- Stairwells
- Locker Rooms
- Detention Centers
- Military Barracks
- Hospitals
- Public Washrooms
- Park Field Houses

SPECIFICATION FEATURES

HOUSING:

16G CRS (cold rolled steel) internally reinforced to provide double wall thickness at ends and corners.

LENS:

.125" impact resistant Clear Prismatic UV stabilized Polycarbonate diffuser. (Other thicknesses available - see ordering information).

REFLECTOR:

CRS, removable and unitized with all electrical components for easy installation and maintenance.

ELECTRONICS:

Fluorescent:
Electronic Ballast <10% THD standard.
Lamps by others.

LED:

Available in three standard color temperatures 3500°K, 4200°K & 5000°K. Other color temperatures available, consult factory.

FASTENERS:

Tamper resistant Torx head screws with center pin reject. (6) total.

FINISH:

Powdercoat finish in white following a 5 step iron phosphate pre-treatment.

LABEL:



ORDERING INFORMATION

Product Family	# of Lamp	Lamp Type	# of Ballast/Drivers	Lens	Voltage			
51HD4								
51HD4 12-1/2" x 49" x 3-1/4"	Fluorescent: 2 = 2 Lamp 4 = 4 Lamp	LED: L2 = LED 2 Rw(50W) L4 = LED 4 Rw(100W)	Fluorescent: 32 = Linear 32W T8 28 = Linear 28W T5 54 = Linear 54W T5 (H.O.)	LED: 35 = White 3500° K 40 = White 4000° K 50 = White 5000° K	Fluorescent: 1 = 1 Ballast 2 = 2 Ballast	LED: 1 = Driver 2 = Driver	B = .125" Prismatic Polycarbonate C = .156" Prismatic Polycarbonate D = .187" Prismatic Polycarbonate	12 = 120V 27 = 277V 34 = 347V ■ UN = Universal (120V-277V)

Options

- PR = Program Rapid Start
- E1 = Emergency Battery Pack (450 Lumens) ◀*
- E2 = Emergency Battery Pack (1350 Lumens) ◀*
- EL1 = Emerg. Bat. LED Low
- EL2 = Emerg. Bat. LED High
- SS = Stainless Steel Housing (#4 Brushed Finish)
- WL = Wet Location (covered ceiling only)
- CW = Cold Weather ballast (-30°C) T8 Lamp only
- FZ = Fuse *
- AH = Allen Head screws (with center pin)

- * Cannot use with UN voltage option
- ◀ Consult factory for T5 availability
- Consult factory for lamp-ballast options

Notes:

Specifications and Dimensions are subject to change without notice. For additional options and dimensional details please consult your New Star Lighting Representative. For specific electronic ballast, specify brand and catalog number. The New Star Promise will repair or replace any High Abuse fixture when installed according to New Star's instructions for the life of the original installation if the fixture should fail due to physical abuse.

