

53L SERIES LED

53L22/53L24

SPECIFICATION FEATURES

HOUSING: Die-formed, seam welded, and ground smooth cold rolled steel or stainless steel clamshell design. Incorporates a removable reflector unitized with all electrical components for easy installation and maintenance. Clamshell design incorporates a contraband drop slot gap between the ceiling and back of fixture.

BACKPLATE: Die-formed with contraband drop slot and embossed mounting holes (material to match housing). Security caulking between ceiling and fixture is not required with this backplate design.

HINGE: Full length continuous, staked piano hinge with welded ends to prevent removal (material to match housing).

LENS: Outer and Inner lens options secured by "Z" retainers with weld studs spaced six inches apart for maximum strength.

LED: Available in three color temperatures 3500°K, 4000°K and 5000°K. Other color temperatures available, consult factory. 0-10V dimming available with 10-100% range and 1-100% range. Must specify dimming under options.

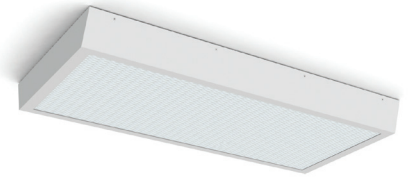
FASTENERS: Tamper resistant countersunk flat head Torx screws with center pin reject.

FINISH: White powder coat finish following iron phosphate pre-treatment.

GASKET: Black neoprene gasket around door frame to prevent light leaks.

ORDERING INFORMATION

Example: 53L24-A-L6401C-B/A-UN



APPLICATIONS: Minimum to Supermax Security, Behavioral Settings, Public Housing, Detention Centers, Transportation, Athletic Facilities, and more.

MOUNTING: Surface installation.

LABEL: Fixture is certified to UL standards.



SERIES	SIZE	GAUGE	LUMEN OUTPUT*	LAMP TYPE	CIRCUITS
53L	22 = 2x2	A = 12Ga. CRS Painted	L2 = Low	35 = 3500°K	1C = 1 Circuit
	24 = 2x4	B = 14Ga. CRS Painted	L4 = Standard	40 = 4000°K	2C = 2 Circuits
		C = 16Ga. CRS Painted	L6 = Medium	50 = 5000°K	
		D = 18Ga. CRS Painted	L8 = High**		
		E = 14Ga. SS Brushed			
		F = 16Ga. SS Brushed	*Subject to change.		
		G = 18Ga. SS Brushed	Performance Data on Page 2.		
		H = 14Ga. SS Painted	**Only for 2x4		
		J = 16Ga. SS Painted			
		K = 18Ga. SS Painted			

OUTER LENS	INNER LENS	VOLTAGE	OPTIONS
0 = No Lens	A = .125 Prismatic Acrylic	12 = 120V	FZ = Fuse*
A = .125 Clear Poly.	B = .125 Prismatic Poly.	27 = 277V	DM = 0-10V dimming with 10-100% range
B = .156 Clear Poly.	C = .156 Prismatic Poly.	34 = 347V	DM1 = 0-10V dimming with 1-100% range
1 = .187 Clear Poly.	D = .187 Prismatic Poly.	UN = Universal	LN = LED Night Light**
2 = .250 Clear Poly.	E = .156 Prismatic Temp Glass	(120V-277V)	EL1 = Emerg. Bat. LED Low
3 = .375 Clear Poly.	F = .156 Prismatic Acrylic		EL2 = Emerg. Bat. LED High
4 = .500 Clear Poly.	G = .140 DR Acrylic		CEL = CA Title 24 Emerg. Batt LED
5 = .187 Clear Temp Glass	LC3 = .125 White Frosted Poly.		UV = .005 UV Absorbing Overlay
6 = .250 Clear Temp Glass			AH = Allen Head screws with center pin reject
7 = .375 Clear Temp Glass*			WL = Wet Location
8 = .500 Clear Temp Glass*			
9 = .750 Clear Temp Glass*			

*Must use with 12Ga or 14Ga

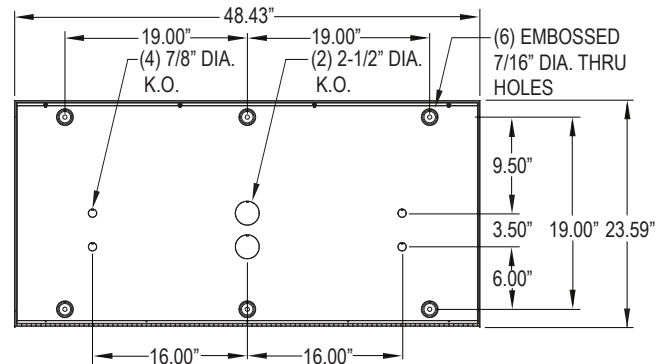
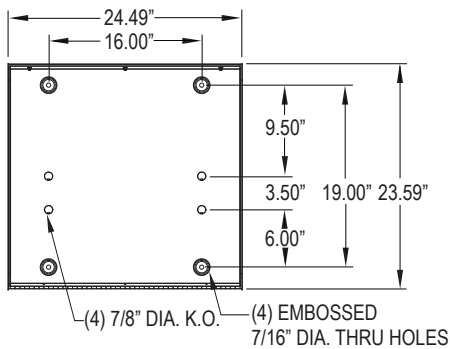
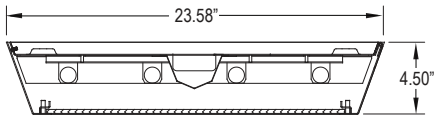
* Cannot use with UN voltage

** Integrated switch allows light levels at 100%, 70%, 40% and 10%.

PERFORMANCE DATA*

MODEL	OUTPUT	LAMP TYPE	LUMENS DELIVERED	EFFICACY (lm/W)	INPUT POWER (W)
53L22	Low	3500°K	3000	120	25
		4000°K	3125	125	25
		5000°K	3250	130	25
	Standard	3500°K	6000	120	50
		4000°K	6250	125	50
		5000°K	6500	130	50
	Medium	3500°K	8625	115	75
		4000°K	9000	120	75
		5000°K	9375	125	75
53L24	Low	3500°K	6000	120	50
		4000°K	6250	125	50
		5000°K	6500	130	50
	Standard	3500°K	12000	120	100
		4000°K	12500	125	100
		5000°K	13000	130	100
	Medium	3500°K	17250	115	150
		4000°K	18000	120	150
		5000°K	18750	125	150
	High	3500°K	23000	115	200
		4000°K	24000	120	200
		5000°K	25000	125	200

DIMENSIONAL DATA



Notes:
 Specifications and Dimensions are subject to change without notice.
 For additional options and dimensional details please consult your New Star Lighting