

540

HIGH ABUSE SERIES

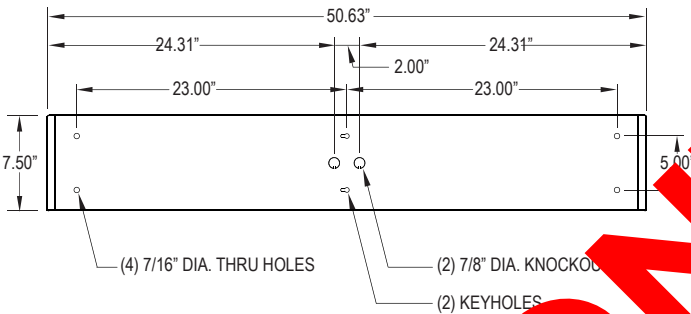
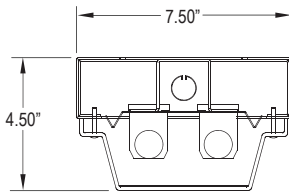
LINEAR LUMINAIRE

FLUORESCENT/LED



PROJECT:
TYPE:
PRODUCT:
APPROVED:
DATE:

DIMENSIONAL DATA



FEATURE

The New Star "540" High Abuse fixture is an extreme durable linear fixture designed for locations where rugged security lighting is absolutely required

- High abuse durable luminaire available with a wet location option
- Heavy gauge steel, iron phosphate pretreated and finished in an oven baked polyester powder coat
- Convenient knockouts to accept surface mounting conduit to accept surface conduit
- High pressure injection molded heavy wall polycarbonate lens
- Stainless steel hardware
- Optional mounting brackets

APPLICATION

- Apartment Buildings
- School Campuses
- Public Housing Complexes
- Transportation Terminals
- Utility Corridors
- Military Barracks
- Hospitals
- Public Washrooms
- Park Field Houses

SPECIFICATIONS

HOUSING:

16G Cold rolled steel internally reinforced to provide a heavy wall design at ends and corners.

LENS:

Impact resistant Clear Prismatic UV stable polycarbonate diffuser. (Other thicknesses available - see ordering information).

REFLECTOR:

CRS, removable and unitized with all electrical components for easy installation and maintenance.

ELECTRONICS:

Electronic Ballast <10% THD standard. Lamps by others.

FASTENERS:

Tamper resistant Torx head screws with center pin reject. (6) total.

FINISH:

Powdercoat finish in white following a 5 step iron phosphate pre-treatment.

LABEL:



ORDERING INFORMATION

Product Family	# of Lamp	Lamp Type	# Ballasts/Driver	Voltage	Options
540					
540 7-1/2" x 50"-5/8" x 4-1/2"	Fluorescent: 1 = 1 Lamp 2 = 2 Lamps 3 = 3 Lamps LED: L1 = 1 Rw (30W) L2 = 2 Rw (50W) L3 = 3 Rw (75W)	Fluorescent: L1 = Linear 32W T8 L2 = Linear 28W T5 L3 = Linear 54W T5 (H.O.) LED: 35 = White 3500° K 40 = White 4000° K 50 = White 5000° K	Fluorescent: 1 = 1 Ballast 2 = 2 Ballast LED: 1 = Driver 2 = Driver	12 = 120V 27 = 277V 34 = 347V ■ UN = Universal (120V-277V)	PR = Program Rapid Start E1 = Emergency Battery Pack (450 Lumens) E2 = Emergency Battery Pack (1100 Lumens) SS = Stainless Steel Housing (#4 Brushed Finish) AL = Aluminum Housing TM = Tandem Mounting EL1= Emerg. Bat. LED Low EL2= Emerg. Bat. LED High AH = Allen Head screws (with center pin) WL = Wet Location (covered ceiling only) CW = Cold Weather ballast (-30°C) T8 Lamp only FZ = Fuse *

- * Cannot use with UN voltage option
- ◀ Consult factory for T5 availability
- Consult factory for lamp-ballast options
- ◆ Not available in LED

