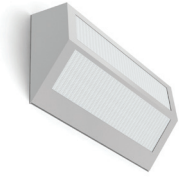


55W CORNER SERIES LED

55W2/55W4

SPECIFICATION FEATURES

- HOUSING:** Die formed, seam welded, and ground smooth cold rolled steel or stainless steel clamshell design. Incorporates a removable reflector unitized with all electrical components for easy installation and maintenance. Clamshell design incorporates a contraband drop slot gap between the ceiling and back of fixture.
- BACKPLATE:** Die formed with contraband drop slot and embossed mounting holes (material to match housing). Security caulking between ceiling and fixture is not required with this backplate design.
- HINGE:** 16 gauge full length continuous, staked piano hinge with welded ends to prevent removal (material to match housing).
- LENS:** Outer and Inner lens options secured by "Z" retainers with weld studs spaced six inches apart for maximum strength.
- LED:** Available in three color temperatures 3500°K, 4000°K and 5000°K. Other color temperatures available, consult factory. Standard 0-10V driver provided. Optional dimming function (DM) with 10-100% range.
- FASTENERS:** Tamper resistant countersunk flat head Torx screws with center pin reject.
- FINISH:** White powder coat finish following iron phosphate pre-treatment.
- GASKET:** Black neoprene gasket around door frame to prevent light leaks.



APPLICATION:
Minimum to Supermax Confinement, Psychiatric Wards, Public Housing, Detention Centers, Transportation, Athletic Facilities, and more.

MOUNTING:
Corner Surface installation.

LABEL:
Fixture is certified to UL standards.



ORDERING INFORMATION

Ex: 55W2-A-L2401-A/0-UN

PRODUCT FAMILY	NOMINAL SIZE <small>*Dimensional Data Pg. 2</small>	GAUGE	LUMEN** OUTPUT <small>*Performance Data Pg. 2</small>	LAMP TYPE
55W	2 = 2ft. 4 = 4ft.	B = 14Ga. CRS C = 16Ga. CRS D = 18Ga. CRS E = 14Ga. SS (Brushed) F = 16Ga. SS (Brushed) G = 18Ga. SS (Brushed) H = 14Ga. SS (Painted) J = 16Ga. SS (Painted) K = 18Ga. SS (Painted)	2: L2 = Standard L3 = Medium 4: L2 = Standard L3 = Medium	35 = 3500°K 40 = 4000°K 50 = 5000°K

CIRCUITS	OUTER LENS	INNER LENS	VOLTAGE	OPTIONS
1 = 1 Circuit 2 = 2 Circuits	0 = No Lens A = .125 Clear Poly. B = .156 Clear Poly. 1 = .187 Clear Poly. 2 = .250 Clear Poly. 3 = .375 Clear Poly. 4 = .500 Clear Poly. 5 = .187 Clear Temp. Glass 6 = .250 Clear Temp. Glass 7 = .375 Clear Temp. Glass^ 8 = .500 Clear Temp. Glass^ 9 = .750 Clear Temp. Glass^	A = .125 Prismatic Acrylic B = .125 Prismatic Poly. C = .156 Prismatic Poly. D = .187 Prismatic Poly. E = .156 Prismatic Temp. Glass F = .156 Prismatic Acrylic G = .140 DR Acrylic LC3 = .125 White Frosted Poly.	12 = 120V 27 = 277V 34 = 347V UN = Universal (120V-277V)	FZ* WL LN UV AH DM

KEY

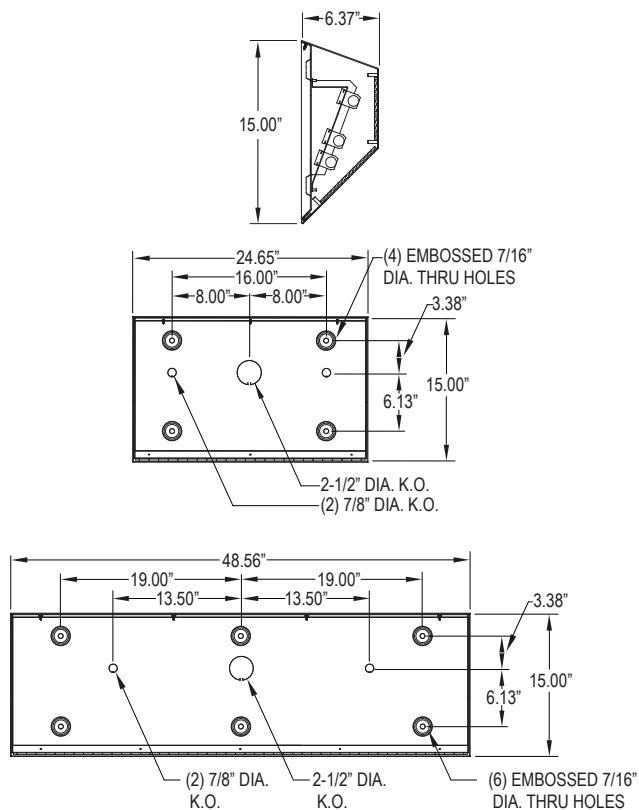
FZ = Fuse*
WL = Wet Location
LN = LED Night Light. Integrated switch allows light selection at 100%, 70%, 40%, and 10% levels.

UV = .005 UV Absorbing Overlay
AH = Allenhead Screws with center pin reject
DM = 0-10V dimming with 10-100% range.
Dimming wires will be extended outside of fixture.

* Cannot use with UN voltage
.. Subject to change
^ Must use with 12Ga. or 14Ga. Frame

Notes:
Specifications and Dimensions are subject to change without notice.
For additional options and dimensional details please consult your New Star Lighting Representative.

DIMENSIONAL DATA



PERFORMANCE DATA

MODEL	OUTPUT	LAMP TYPE	LUMENS DELIVERED	EFFICACY (lm/W)	INPUT POWER (W)
55W2	Standard	3500°K	2875	115	25
		4000°K	3000	120	25
		5000°K	3125	125	25
	Medium	3500°K	4180	110	38
		4000°K	4370	115	38
5000°K		4560	120	38	
55W4	Standard	3500°K	5750	115	50
		4000°K	6000	120	50
		5000°K	6250	125	50
	Medium	3500°K	8250	110	75
		4000°K	8625	115	75
		5000°K	9000	120	75

Notes:
 Specifications and Dimensions are subject to change without notice.
 For additional options and dimensional details please consult your New Star Lighting Representative.