

# 57S

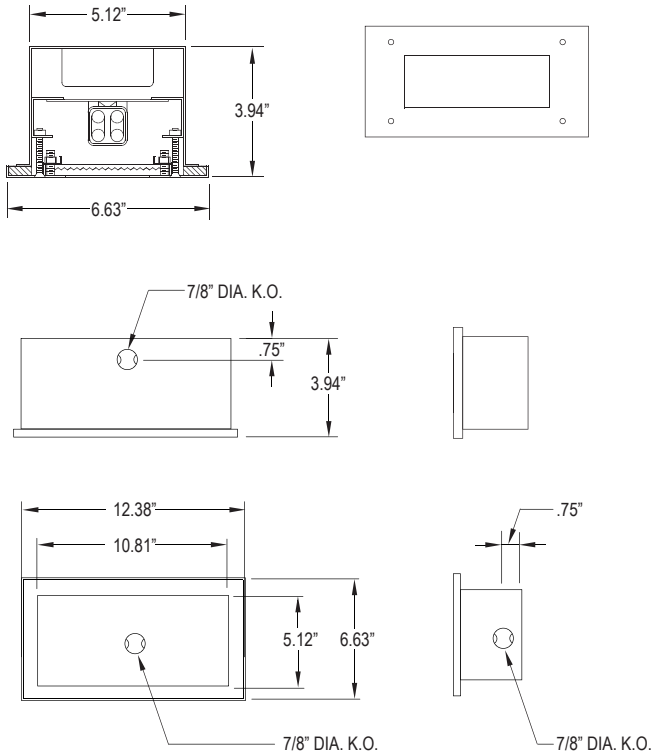
## HIGH ABUSE SERIES

STEP LUMINAIRE  
FLUORESCENT/LED



PROJECT:
TYPE:
PRODUCT:
APPROVED:
DATE:

### DIMENSIONAL DATA



### FEATURES

The New Star "57S" High Abuse step light fixture is designed for high abuse and security applications where ambient illumination is needed close to the ground

- 18-14 AWG crs or stainless steel steplight for masonry walls
- Various lensing options
- Available in Fluorescent and LED lamp sources
- Long Lasting, energy efficient LED's

### APPLICATION

- Confinement
- Psychiatric Wards
- Detention Centers
- Public Housing Complexes
- Stairwells
- Parking Garages
- Commercial Entryways
- Transportation Applications
- Athletic Facilities
- Locker Rooms
- Boardwalks
- Corridors
- Lobbies

### SPECIFICATION FEATURES

#### HOUSING:

14 - 18 Ga. die formed CRS housing seam welded and ground smooth. Housing is secured to inner structure with four/eight (2" fix/4" fix) tamper proof S.S.screws to maximize tight seal against mounting surface (specify gauge).

#### FACE:

Open or Louver faceplate for corresponding housing gauge

#### LENS:

.375" clear polycarbonate - .125" prismatic polycarbonate

#### FLUORESCENT ELECTRONICS:

Electronic Ballast <10% THD standard. Lamps by others.

#### LED ELECTRONICS:

Integrated, embedded Driver  
Max @ 5 watt 3.6 watt normal

#### REFLECTOR:

Built in reflector design for maximum light efficiency.

#### FASTENERS:

Weld stud construction with continuous hold downs.

#### FINISH:

Polyester powdercoat following a 5 stage iron phosphate pre-treatment.

#### LABEL:



### ORDERING INFORMATION

Product Family	Gauge	# of Lamp	Lamp Type	Face	Outer Lens	Inner Lens	
<b>57S</b>							
57S 12-3/8" x 6-5/8" x 3-15/16"	B = 14 Ga. CRS C = 16 Ga. CRS D = 18 Ga. CRS F = 16 Ga. SS (Brushed) G = 18 Ga. SS (Brushed)	1 = 1 Lamp L = LED	Fluorescent: 13E = 13W Twin 2Gx7 13 = 13W Triple Gx24q-1 13Q = 13W Quad G24q-1 18 = 18W Triple Gx24q-2 18Q = 18W Quad G24q-2 26 = 26W Triple Gx24q-3 26Q = 26W Quad G24q-3	LED: 35 = White 3500° K 40 = White 4000° K 50 = White 5000° K WL = White LED LA = Amber LED	OP = Open Face LD = Louver Door ▲	Ø = No Lens < A = .125 Clear Polycarbonate B = .156 Clear Polycarbonate 1 = .187 Clear Polycarbonate 2 = .250 Clear Polycarbonate 3 = .375 Clear Polycarbonate 5 = .187 Clear Tempered Glass	Ø = No Lens A = .125 Prismatic Acrylic B = .125 Prismatic Polycarbonate C = .156 Prismatic Polycarbonate

Voltage	Options
12 = 120V 27 = 277V 34 = 347V ■ UN = Universal (120V-277V)	AH = Allen Head Screws with center pin reject EM = Ballast: Emergency* (CFL only, must be remote) PC = Photocell* FZ = Fuse*
	FZ = Fuse* TH = Torx Head screws (with center pin) AM = White Anti-Microbial Powdercoat finish

- Consult factory for lamp-ballast options
- < Must use this option with louver door face

- \* Cannot use with UN voltage option
- ▲ Lens choice installed behind / inside louver door

3-10-16

Notes:  
Specifications and Dimensions are subject to change without notice. For additional options and dimensional details please consult your New Star Lighting Representative. For specific electronic ballast, specify brand and catalog number.

