

620 EXIT LED SERIES

620SF/620DF

SPECIFICATION FEATURES

HOUSING: Die formed, seam welded and ground smooth 14 gauge cold rolled steel. Illumination from bottom of the fixture for added wayfinding.

DOOR: One piece die formed 14 gauge cold rolled steel.

LEGEND: High powered LED module illuminates legend. Single or Double Face. Internal panel with stencil cut letters and arrows. Two arrows per stencil that can be removed in the field.

FASTENERS: Tamper resistant Torx head screws with center pin reject.

FINISH: White powder coat finish following multistage iron phosphate pre-treatment.



APPLICATIONS: Confinement, Public Housing Complexes, Schools, Military Barracks, Locker Rooms, and more.

MOUNTING: Surface wall or ceiling installation.

LABEL: Fixture is certified to UL standards by Intertek Testing Laboratories. Damp Location standard, with optional Wet Location.



ORDERING INFORMATION

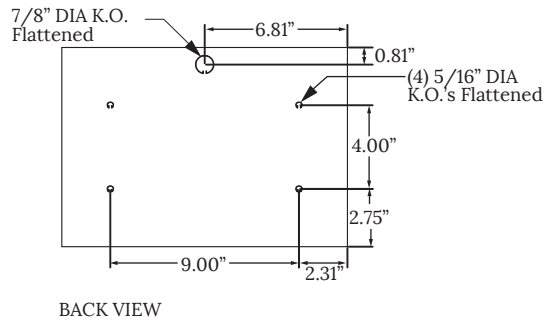
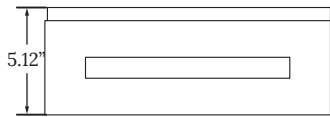
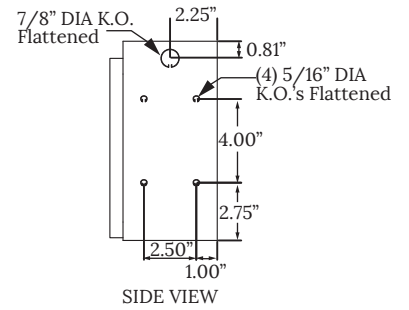
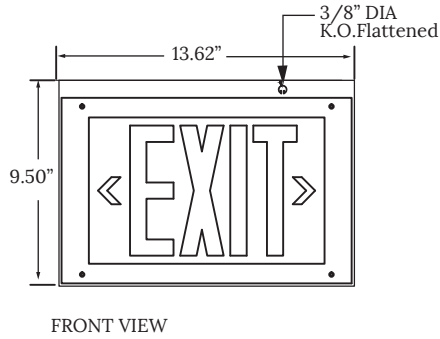
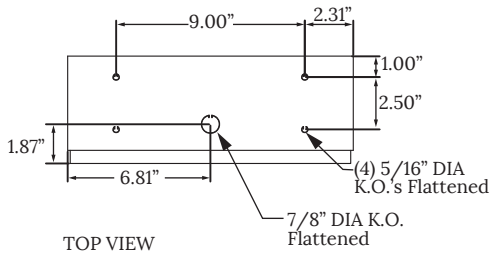
Example: 620-SF-LED-UN-RW

SERIES	FACE	MODULE	VOLTAGE	LETTERING	OPTIONS
620		LED			
	SF = Single Face DF = Double Face	LED = LED Module	12 = 120V 27 = 277V UN = Universal (120V-277V)	RW = Red Lettering GW = Green Lettering	EM = Emergency Battery WL = Wet Location

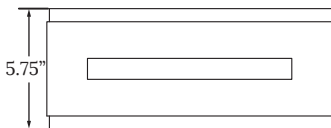
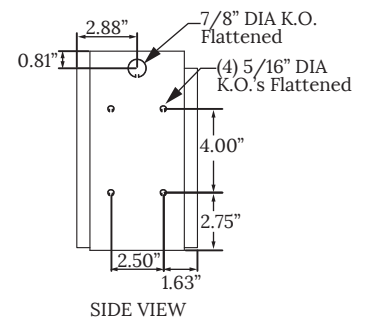
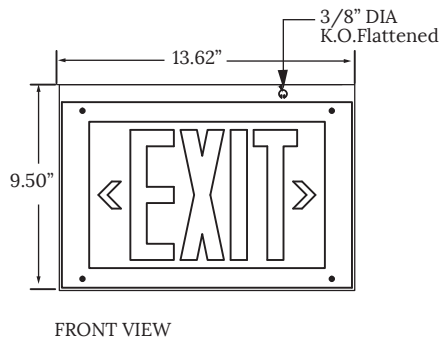
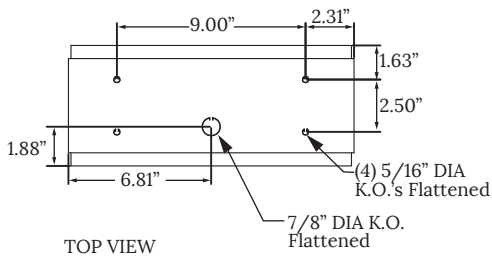
Notes:
Specifications and Dimensions are subject to change without notice.
For additional options and dimensional details please consult your New Star Lighting Representative.

DIMENSIONAL DATA

SINGLE FACE 620



DOUBLE FACE 620



Notes:
 Specifications and Dimensions are subject to change without notice.
 For additional options and dimensional details please consult your New Star Lighting Representative.