

AURAMED 22-24 LED

AAS22/AAS24/AAG22/AAG24/AAF22/AAF24

SPECIFICATION FEATURES

- HOUSING:** 20 gauge formed cold rolled steel housing with continuous seam welds. Aluminum and stainless steel option available.
- FRAME:** Inset and overlapping doorframe available in aluminum, cold rolled steel, and stainless steel. Inset extruded door available in anodized aluminum or white painted aluminum. Frame held to housing via aircraft cable.
- LENS:** Clear acrylic lens with smooth side out. Clear polycarbonate lens options available.
- LAMP DIFFUSER:** Perforated metal screen painted white, and lined with .20" thick white acrylic diffuser.
- LED:** Available in three color temperatures 3500°K, 4000°K and 5000°K. Other color temperatures available, consult factory. 0-10V dimming available with 10-100% range and 1-100% range. Must specify dimming under options.
- FASTENERS:** Philips flat head screws with captive cage nuts.
- GASKET** Closed cell EPDM and closed cell silicone gaskets prevent air contaminations from entering the fixture.
- FINISH:** White antimicrobial powder coat finish following an iron phosphate pre-treatment.



APPLICATION:

Patient Rooms, Hospitals, Examination Rooms, Lobbies, Corridors, and more.

MOUNTING:

Surface, Grid and Flange installation options. Flange fixtures come with adjustable 90° swing arm for easy installation.

LABEL:

Fixture is certified to UL standards. Certified IP65, ISO4, NSF and Damp Location.



ORDERING INFORMATION

Ex: AAS22-HC/IA-L2401C-A-UN

PRODUCT FAMILY	MOUNTING	NOMINAL SIZE <small>*Dimensional Data Pg. 2</small>	HOUSING	FRAME Inset (I) or Overlap (O)	LUMEN OUTPUT** <small>*Performance Data Pg. 2</small>
AA					
	S = Surface G = Grid F = Flange	22 = 2x2 24 = 2x4	HC= 20Ga. CRS (standard) HS= 20Ga. SS HP= 20Ga. SS (painted) HA= .050Ga. Alum. (painted)	IE=Extruded Alum. ✓ ◆ IP=Extruded Alum. ✓ ◆ (Painted) IP65: IC=20Ga.CRS IA= .050 Alum. (Painted) IB=20Ga.S.S. (Brushed) IS=20Ga.S.S. (Painted) OC=18Ga.CRS (Standard) OS=18Ga.S.S (Brushed) OP=18Ga.S.S. (Painted) OA= .050 Alum.(Painted)	L2 = Standard L3 = Medium
LAMP TYPE	CIRCUITS	LENS	VOLTAGE	OPTIONS	
35 = 3500°K 40 = 4000°K 50 = 5000°K	1C = 1 Circuit 2C = 2 Circuits	A = .125 Clear Acrylic B = .125 Clear Poly. C = .156 Clear Acrylic Φ D = .156 Clear Poly. Φ E = .187 Clear Acrylic F = .187 Clear Poly.	12 = 120V 27 = 277V 34 = 347V UN = Universal (120V-277V)	DM DM1 SDM FZ*	LN EL1 EL2 TH TM

KEY

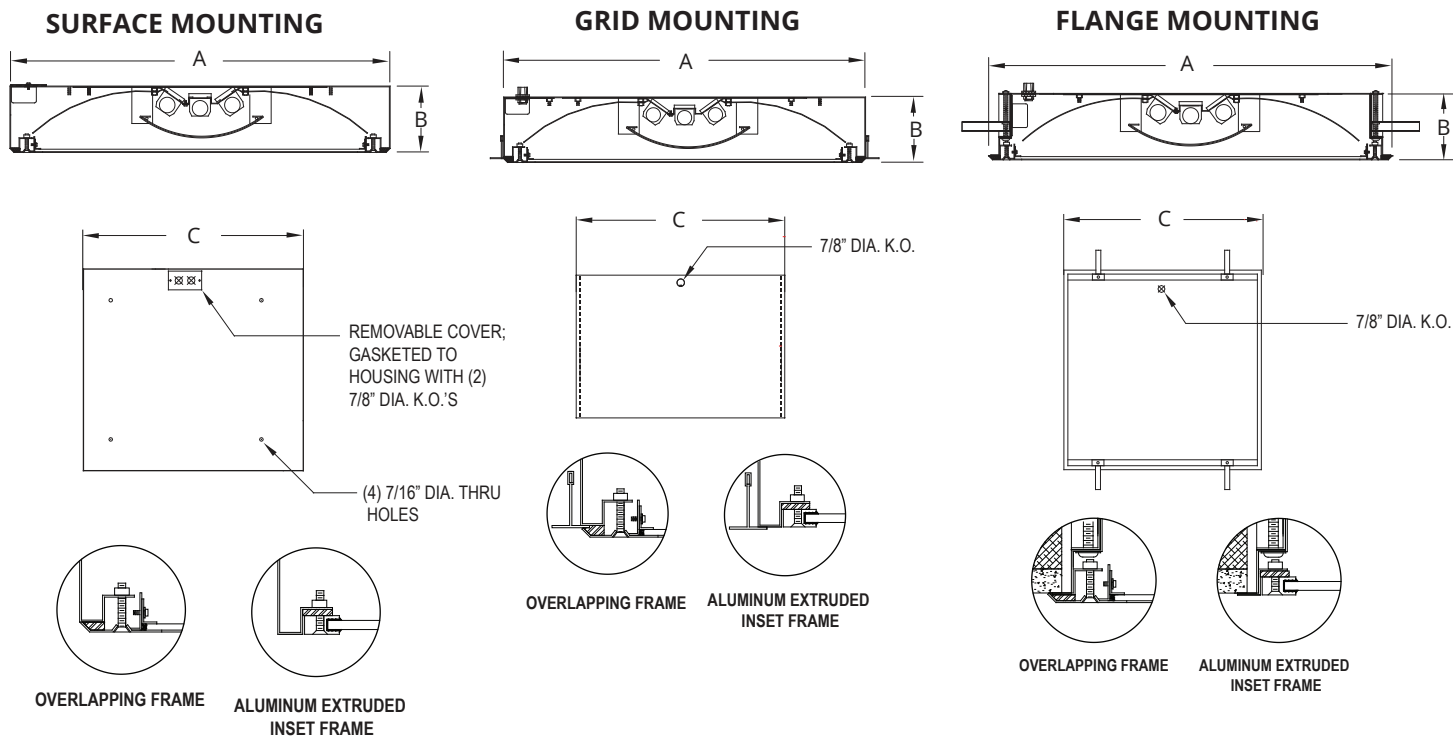
DM = 0-10V dimming with 10-100% range
DM1 = 0-10V dimming with 1-100% range
SDM = Step Dimming Module
FZ = Fuse*
LN = LED Night Light (3500°K standard). Integrated switch allows light levels at 100%, 70%, 40%, and 10%.

Notes:
Specifications and Dimensions are subject to change without notice.
If circuit is not specified at time of quote or order, fixture will have single circuit.

EL1 = Emerg. Bat. LED Low (10W)
EL2 = Emerg. Bat. LED High (20W)
TH = Torx Head screws (with center pin)
TM = Tandem Mount (not available for flange)

✓ Not IP65
* Cannot use with UN voltage
.. Subject to change
◆ Must use with .156 Acrylic or Poly lens
Φ Can only be used with IE or IP

DIMENSIONAL DATA



	A	B	C	Rec. Ceiling Cut-Out
AAS22	24.00"	3.94"	24.07"	-
AAS24	22.00"	3.94"	48.07"	-
AAG22	23.69"	3.94"	24.20"	-
AAG24	23.69"	3.94"	48.07"	-
AAF22	25.13"	3.94"	25.25"	24-3/8" x 24-3/8"
AAF24	25.13"	3.94"	49.13"	48-3/8" x 24-3/8"

PERFORMANCE DATA**

MODEL	OUTPUT	LAMP TYPE	LUMENS DELIVERED	EFFICACY (lm/W)	INPUT POWER (W)
AA22	Standard	3500°K	1100	44	25
		4000°K	1300	52	25
		5000°K	1500	60	25
	Medium	3500°K	1650	43	38
		4000°K	1850	49	38
5000°K		2050	54	38	
AA24	Standard	3500°K	2300	46	50
		4000°K	2700	54	50
		5000°K	3100	62	50
	Medium	3500°K	3400	45	75
		4000°K	4000	53	75
		5000°K	4600	61	75

Notes:
 **Performance Data subject to change without notice.
 Specifications and Dimensions are subject to change without notice.
 For additional options and dimensional details please consult your New Star Lighting Representative.