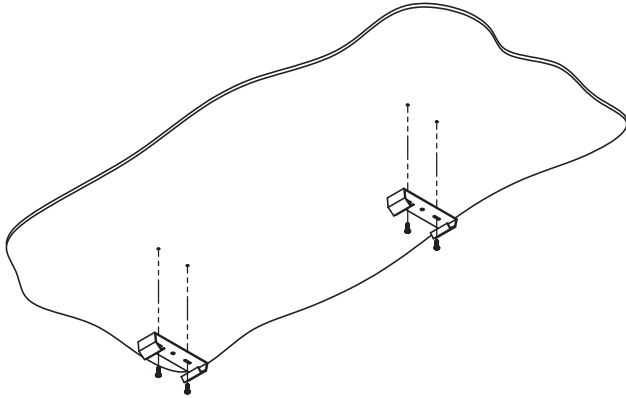
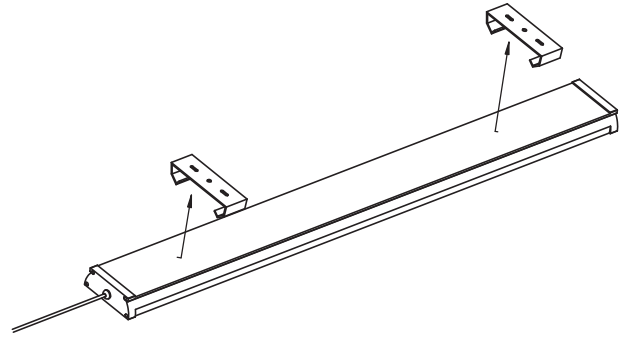


SURFACE INSTALLATION

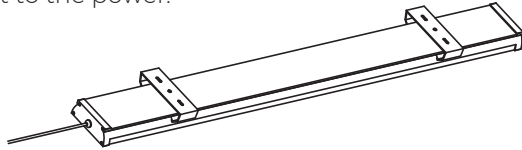
1. Drill 8mm cutting holes, put plastic plug and lock the clips on the ceiling with self-tapping screws.



2. Put the lamp into the clips properly.

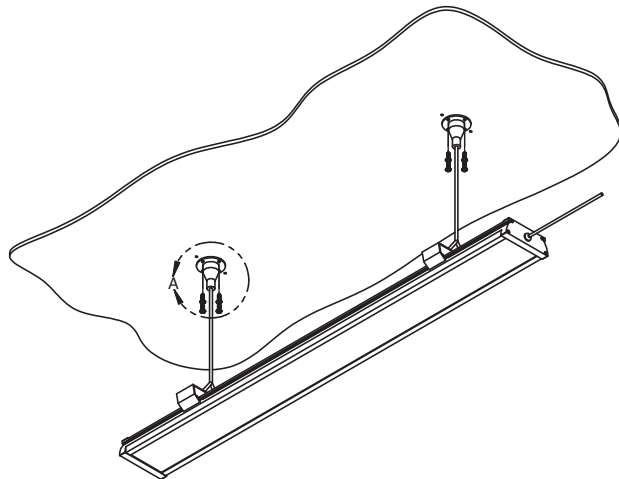


3. Connect to the power.



SUSPENDED INSTALLATION

1. Drill 8mm cutting holes, put plastic plug and lock the clips on the ceiling with self-tapping screws (supplied by others).



2. Suspend lamp with aircraft cable or stem (supplied by others) and then connect to the power.

