

NSR SERIES LED

NSRO/NSRC/NSRE

SPECIFICATION FEATURES

HOUSING: One-piece marine grade die-cast aluminum.

GUARD: Molded from UV-stabilized polycarbonate.

LENS: Polycarbonate injection molded lens with radial prisms to provide superior illumination. Optional ribbed clear prismatic or ribbed opal lens.

ELECTRONICS: Electronic ballast <10% THD standard.

REFLECTOR: Aluminum reflector to serve as heat sink and unitized with electrical components.

FASTENERS: Tamper resistant Torx head screws with center pin reject.

FINISH: Extremely durable oven baked polyester powder coat following a 5 stage iron phosphate pre-treatment in black. Custom color available.

GASKET: One piece die cut black EDPM foam rubber with adhesive backing to affix to housing. Extruded and spliced EDPM ribbed rubber gasket for lens.



APPLICATIONS: VR Architectural Settings, Public Areas, Corridors, Stairways, Underpasses, Parking Garages, Restrooms, Lobbies, Schools, and more.

MOUNTING: J-Box knock out and level bar for quick and easy installation.

LABEL: Fixture is certified to UL standards by Intertek Testing Laboratories.



ORDERING INFORMATION

Example: NSROS-1/13Q-RC-UN-BK

SERIES	STYLE	DEPTH	# OF LAMPS	LAMP TYPE	
NSR					
	O = Open C = Cross E = Eyelid	S = Shallow (4.00") M = Medium (6.50") *Dimensional data on page 2.	1 = 1 Lamp 2 = 2 Lamp	If <u>1 Lamp</u> is selected choose from the below: 13 = 13W Triple Gx24q-1 13Q = 13W Quad G24q-1 18 = 18W Triple Gx24q-2 18Q = 18W Quad G24q-2 26 = 26W Triple Gx24q-3 26Q = 26W Quad G24q-3 32 = 32W Triple Gx24q-3 42 = 42W Triple Gx24q-4*	If <u>2 Lamps</u> are selected choose from the below: 13 = 13W Triple Gx24q-1 13Q = 13W Quad G24q-1 18 = 18W Triple Gx24q-2 18Q = 18W Quad G24q-2

*Only available with Medium depth

LENS	VOLTAGE	FINISH	OPTIONS
RC = Ribbed Clear Poly RF = Ribbed Opal Lens	12 = 120V 27 = 277V UN = Universal (120V-277V)	BK = Black CC = Custom Color	EM = Emergency Ballast* (Remote) AH = Allen Head screws (with center pin) TH = Torx Head screws (with center pin)

*Cannot use with UN voltage



**NSR OPEN
(NSRO)**



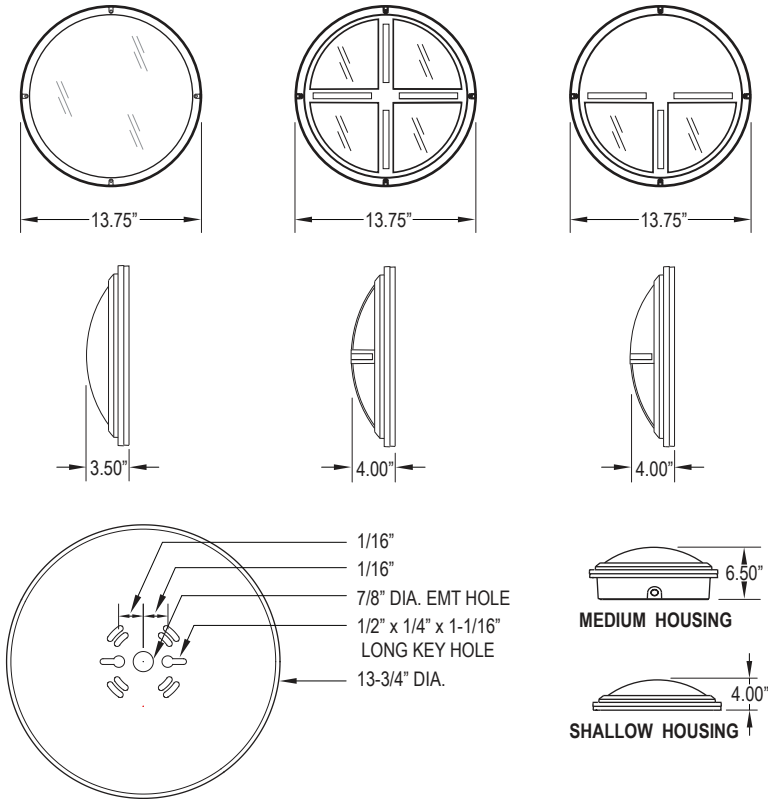
**NSR CROSS
(NSRC)**



**NSR EYE LID
(NSRE)**

Notes:
Specifications and Dimensions are subject to change without notice.
For additional options and dimensional details please consult your New Star Lighting Representative.

DIMENSIONAL DATA



Notes:
 Specifications and Dimensions are subject to change without notice.
 For additional options and dimensional details please consult your New Star Lighting Representative.