

T-SERIES: ROUND-SQUARE LED

TRO, TRE, TSO, TSE

SPECIFICATION FEATURES

- HOUSING:** Die cast aluminum housing with a choice of an open front frame or half cut off front frame (eyelid).
- LENS:** Opal Polycarbonate.
- LED:** Available in three color temperatures 3500°K, 4000°K and 5000°K. Other color temperatures available, consult factory.
- REFLECTOR:** Aluminum, removable, and utilized with all electrical components for easy installation and maintenance.
- FASTENERS:** Tamper resistant Allen Head screws.
- FINISH:** Extremely durable powder coat finish over a chromate conversion coating. Available in Bronze or Custom Color.
- GASKET:** Long-life gasket promotes water and dust tight seal between housing and front-lens assembly.



APPLICATION:
Public Areas, Corridors, Stairways, Underpasses, Parking Garages, Restrooms, Lobbies, Schools, and more.

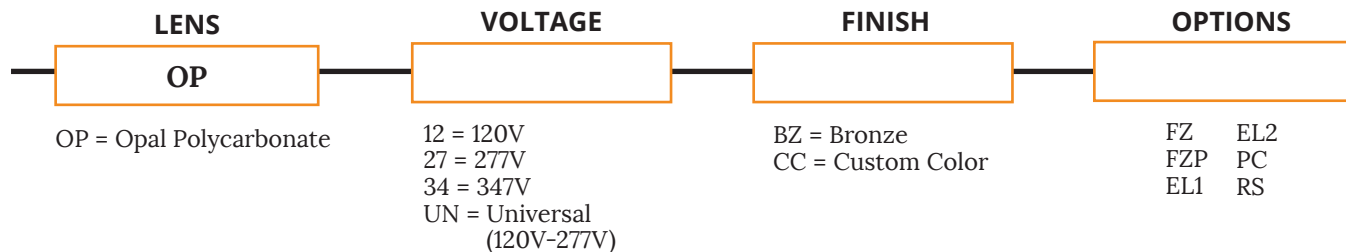
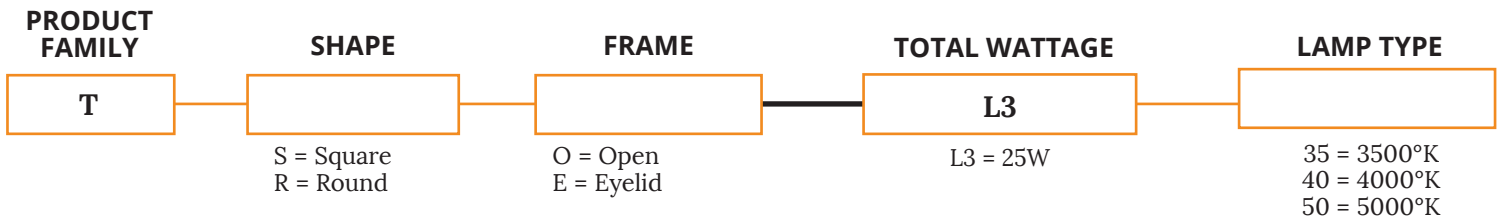
MOUNTING:
Surface Wall Mount Installation

LABEL:
Fixture is certified to UL standards



ORDERING INFORMATION

Ex: TRE-L335-OP-UN-BZ



KEY

FZ = Fuse (standard in-line)
FZP = Fuse (panel mount for Eyelid only)
EL1 = Emerg. Bat. LED Low (5W)
EL2 = Emerg. Bat. LED High (12W)

PC = Photocell
RS = Rocker Switch (Eyelid only)

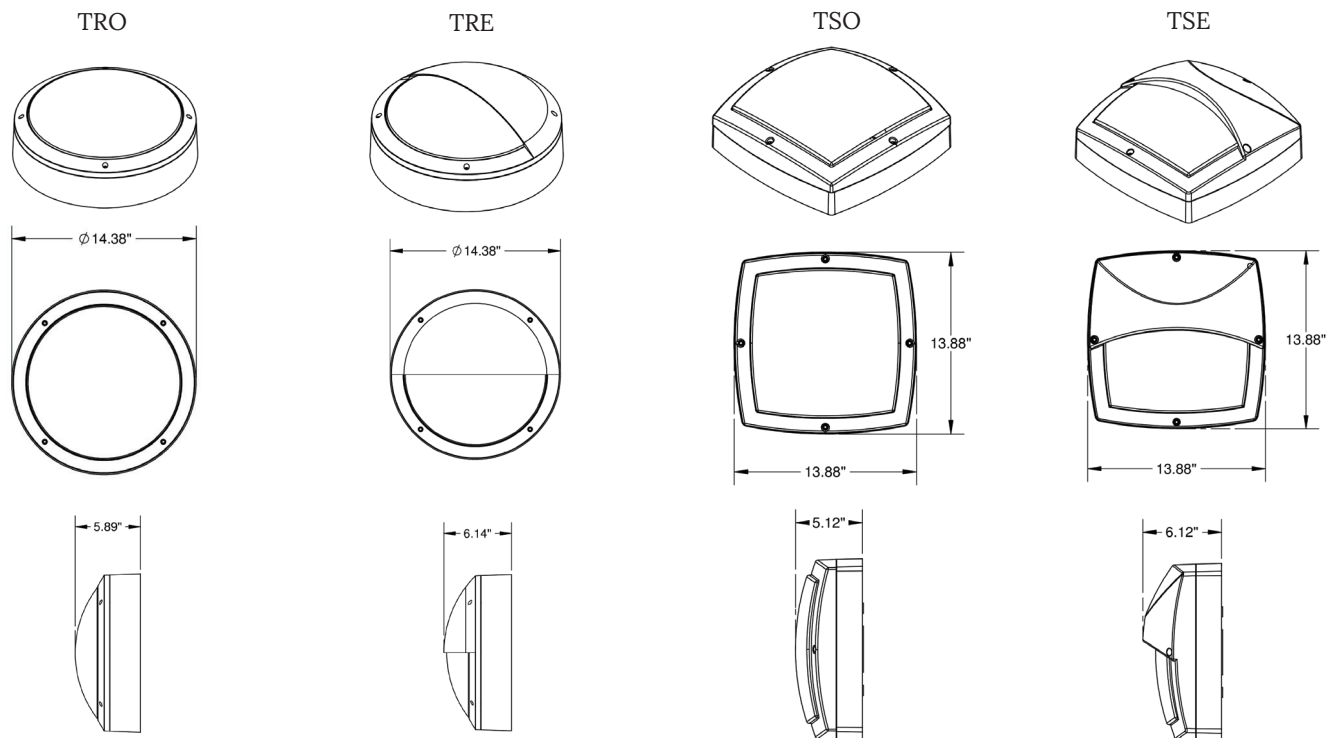
.. Subject to change

T-SERIES: ROUND-SQUARE LED

TRO, TRE, TSO, TSE



DIMENSIONAL DATA



PERFORMANCE DATA**

MODEL	LAMP TYPE	LUMENS DELIVERED	EFFICACY (lm/W)	INPUT POWER (W)
TRO	3500°K	2650	106	25
	4000°K	2824	113	25
	5000°K	2812	112	25
TRE	3500°K	2240	90	25
	4000°K	2345	94	25
	5000°K	2378	95	25
TSO	3500°K	2273	91	25
	4000°K	2379	95	25
	5000°K	2413	97	25
TSE	3500°K	2055	82	25
	4000°K	2150	86	25
	5000°K	2181	87	25

Notes:

**Specifications, Performance Data and Dimensions are subject to change without notice.
For additional options and dimensional details please consult your New Star Lighting Representative.