

AURAMED CLASSIC 22-24 FLUORESCENT

AACG22/AACG24/AACF22/AACF24

SPECIFICATION FEATURES

- HOUSING:** 20 gauge formed cold rolled steel housing with continuous seam welds. Aluminum option available.
- FRAME:** Optional die formed cold rolled steel or aluminum frame.
- LENS:** White polycarbonate ribbed lens serves as inner basket diffuser for indirect ambient light.
- LENS RETENTION:** Unique clip design allows for tool-free lens removal.
- ELECTRONICS:** Electronic ballast <10% THD standard. Lamps by others.
- FASTENERS:** Flat head screws with captive cage nuts.
- FINISH:** White antimicrobial powder coat finish following iron phosphate pre-treatment.
- MOUNTING:** Universal housing for Grid and Flange fixtures. Flange fixtures supplied with mounting kit. Tool-free lens removal for easy lamp replacement and maintenance.



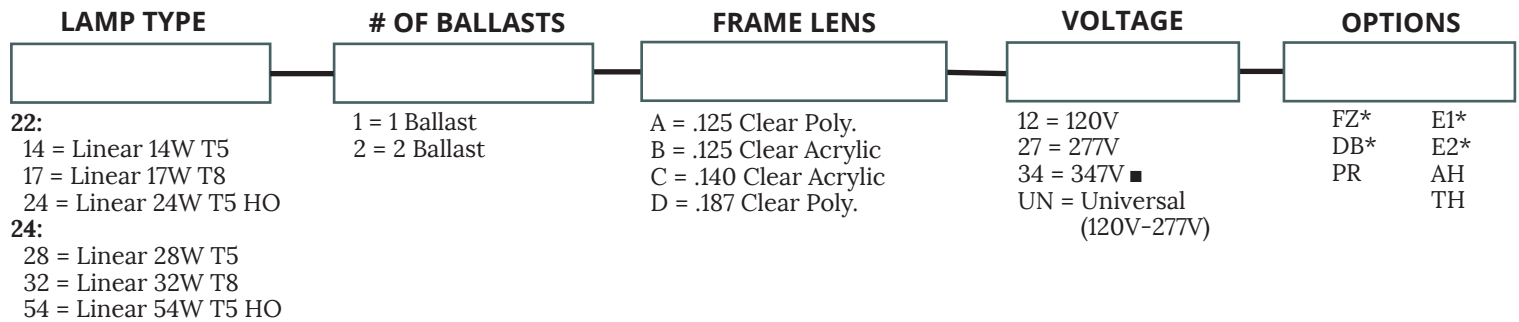
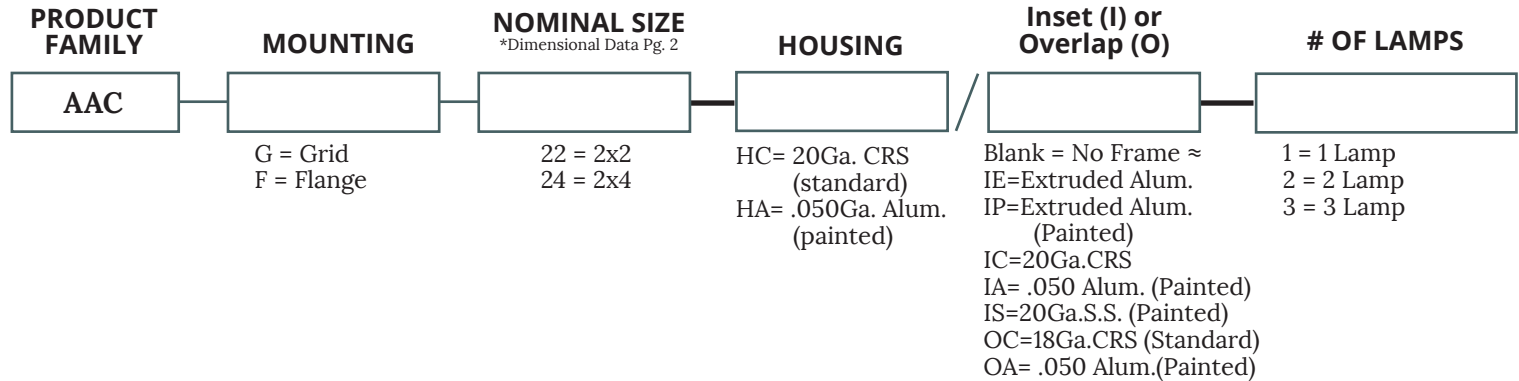
APPLICATION:
Hospitals, Offices, Universities, Hotels, Corridors, and more.

LABEL:
Fixture is certified to UL standards by Intertek Testing Laboratories.



ORDERING INFORMATION

Ex: AACF24-HA/IA-232-1-A-27-DB



KEY

FZ = Fuse*
DB = Dimming Ballast (0-10V)*
PR = Program Rapid Start

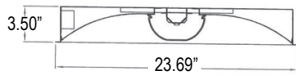
E1 = Emerg. Bat. Pack (450lm)*
E2 = Emerg. Bat. Pack (1100lm)*
AH = Allen Head Screws (with center pin)
TH = Torx Head screws (with center pin)

* Cannot use with UN voltage
■ Consult factory for lamp ballast options
≈ Leave lens option Blank

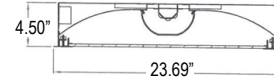
Notes:
Specifications and Dimensions are subject to change without notice.
For additional options and dimensional details please consult your New Star Lighting Representative.

DIMENSIONAL DATA

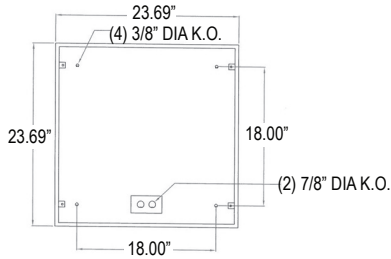
GRID/FLANGE MOUNTING



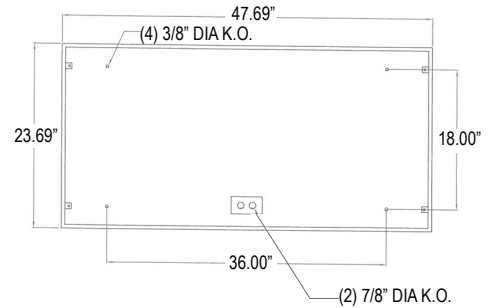
Cross Section Without Door



Cross Section With Door



AAC22 Backview



AAC24 Backview

Notes:
Specifications and Dimensions are subject to change without notice.
For additional options and dimensional details please consult your New Star Lighting Representative.