

# AURAMED CLASSIC 22-24 LED

AAC22/AAC24

## SPECIFICATION FEATURES

- HOUSING:** 20 gauge formed cold rolled steel housing with continuous seam welds. Aluminum option available.
- FRAME:** Optional die formed cold rolled steel or aluminum frame.
- LENS:** Clear polycarbonate or acrylic lens. White polycarbonate ribbed lens serves as inner basket diffuser for indirect ambient light.
- LENS RETENTION:** Unique clip design allows for tool-free lens removal.
- LED:** Available in three color temperatures 3500°K, 4000°K and 5000°K. Other color temperatures available, consult factory. DMX compatible. 0-10V dimming available with 10-100% range and 1-100% range. Must specify dimming under options.
- FASTENERS:** Flat head screws with captive cage nuts.
- FINISH:** White antimicrobial powder coat finish following a multistage iron phosphate pre-treatment.
- APPLICATION:** Hospitals, Offices, Universities, Hotels, Corridors, and more.



### MOUNTING:

Recessed mounting accommodates Grid and Flange installations. Flange fixtures comes with yoke mounting kit. Tool-free lens removal for easy maintenance.

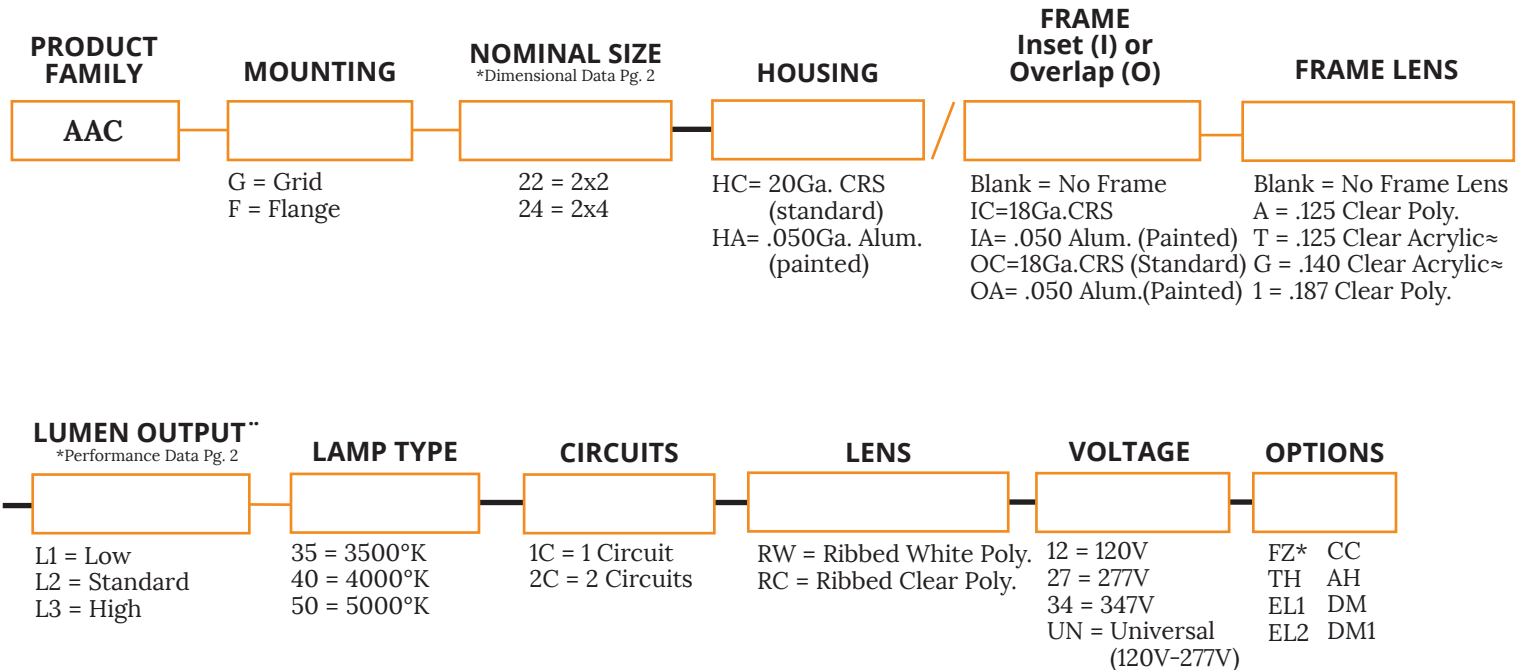
### LABEL:

Fixture is certified to UL standards by Intertek Testing Laboratories.



## ORDERING INFORMATION

Ex: AACG22-HC/ICA-L235-1C-RW-UN



## KEY

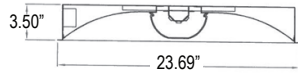
- FZ = Fuse\*  
TH = Torx Head screws (with center pin)  
EL1 = Emerg. Bat. LED Low (10W)  
EL2 = Emerg. Bat. LED High (20W)
- CC = Custom Color  
AH = Allen Head Screws (with center pin)  
DM = 0-10V dimming with 10-100% range  
DM1 = 0-10V dimming with 1-100% range

- \* Cannot use with UN voltage  
\*\* Subject to change  
≈ Can only be used with IC Frame

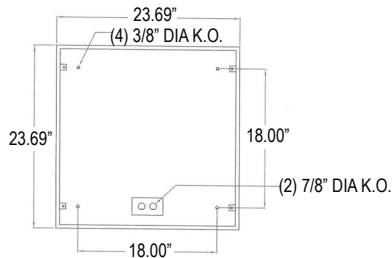
Notes:  
Specifications and Dimensions are subject to change without notice.  
If circuit is not specified at time of quote or order, fixture will have single circuit.

## DIMENSIONAL DATA

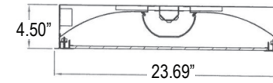
### Recessed Housing Mounting



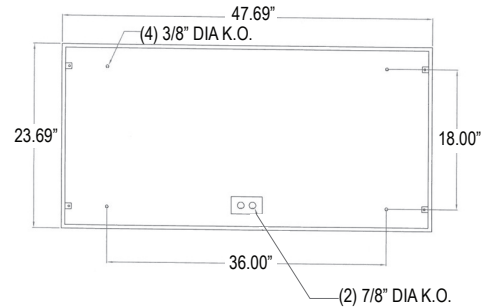
Cross Section Without Door



AAC22 Backview



Cross Section With Door



AAC24 Backview

## PERFORMANCE DATA

MODEL	OUTPUT	LAMP TYPE	LUMENS DELIVERED	EFFICACY (lm/W)	INPUT POWER (W)
AAC22	Low	4000°K	1200	100	12.5
	Standard	4000°K	2400	100	25
	High	4000°K	3600	100	37.5
AAC24	Low	4000°K	2400	100	25
	Standard	4000°K	4800	100	50
	High	4000°K	7200	100	75

Notes:  
 Specifications and Dimensions are subject to change without notice.  
 For additional options and dimensional details please consult your New Star Lighting Representative.