

# STARMed 8 LED ROUND

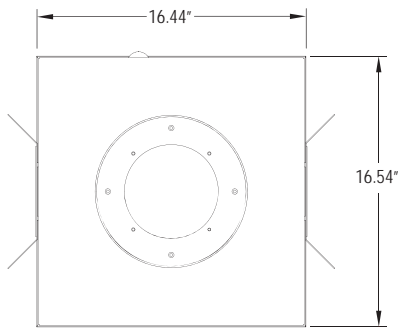
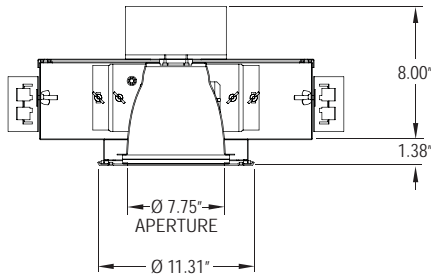
HEALTHCARE SERIES  
PATIENT ROOM LUMINAIRE  
LED



Made in America

|           |
|-----------|
| PROJECT:  |
| TYPE:     |
| PRODUCT:  |
| APPROVED: |
| DATE:     |

## DIMENSIONAL DATA



## FEATURES

The New Star "StarMed 8 LED Round" Healthcare fixture is designed for use in surgical suites and medical settings .

- Dimming available
- Excellent vertical illumination
- Sealed and enclosed aluminium housing
- Durable construction
- Available in 8" aperture
- Enclosure box available for remote applications. 50ft. maximum
- Available in a variety wattages
- Easy maintenance finish
- Low glare

## APPLICATION

- Patient Rooms
- Nurse Stations
- Laboratories
- Research Facilities
- Psychiatric Ward
- Surgical Suites
- Administration areas
- Corridors

## SPECIFICATION FEATURES

### HOUSING:

16 gauge Aluminium (standard)

### LENS:

Polycarbonate, acrylic, and glass lens

### ELECTRONICS:

Constant current driver.

### FINISH:

White Antimicrobial powdercoat finish following an iron phosphate pre-treatment (standard)

### LABEL:



## ORDERING INFORMATION

| Product Family  | Housing Material  | # of Lamps  | Lamp Type   | Outer Lens   | Inner Lens  |
|---|---|---|---|--|---|
| <b>DLM8</b>   | -   | -   | -   | -  | -   |
| <b>DLM8</b><br>16-7/16" x 16-9/16" x 9-3/8"   | <b>HA</b> = Housing 16 Ga. Aluminum<br><b>D</b> = 18 Ga. CRS  | <b>L1</b> = 11W 82 CRI<br><b>L2</b> = 29W 82 CRI<br><b>L3</b> = 13W 82 CRI<br><b>L4</b> = 25W 82 CRI<br><b>L5</b> = 37W 82 CRI<br><b>L6</b> = 45W 82 CRI<br><b>L6C</b> = 34W 90° CRI<br><b>L6A</b> = 54W 82 CRI<br><b>L7</b> = 52W 82 CRI | <b>30</b> = White 3000° K*<br><b>35</b> = White 3500° K<br><b>40</b> = White 4000° K  | <b>A</b> = .125 Clear Acrylic<br><b>B</b> = .125 Clear Polycarbonate<br><b>C</b> = .187 Clear Polycarbonate<br><b>D</b> = .250 Clear Polycarbonate<br><b>E</b> = .375 Clear Polycarbonate<br><b>F</b> = .125 Clear Tempered Glass<br><b>G</b> = .187 Clear Tempered Glass<br><b>H</b> = .250 Clear Tempered Glass<br><b>O</b> = None | <b>A</b> = .125 Prismatic Acrylic<br><b>B</b> = .125 Prismatic Polycarbonate<br><b>C</b> = .156 Prismatic Polycarbonate<br><b>D</b> = .125 White Frosted Polycarbonate( LC3)<br><b>E</b> = .156 Prismatic Tempered Glass(C73) |
| <b>Trim</b>   | <b>Reflector Finish</b>   | <b>Voltage</b>  | <b>Options</b>  |  |   |
| <b>A</b> = .080 Aluminium<br><b>B</b> = 18 Ga. CRS<br><b>C</b> = 18 Ga. 304 Stainless Steel | <b>1</b> = Clear Specular*<br><b>2</b> = Clear Semi-Specular<br><b>3</b> = Antimicrobial Low Gloss White<br><b>4</b> = Champagne Gold | <b>12</b> = 120V<br><b>27</b> = 277V<br><b>UN</b> = Universal (120V-277V)   | <b>DM</b> = Dimming Driver (0-10V)<br><b>EM</b> = Emergency Battery must be remote<br><b>FZ</b> = Fuse<br><b>TH</b> = Torx Head screws (with center pins)<br><b>MS</b> = MIL-STD-461F<br><b>NI</b> = Non-IP65 Application |  |   |

\* 90 CRI only available in 3000K

\*Cannot use with White Frosted lens

3-10-16



Notes:  
Specifications and Dimensions are subject to change without notice. For additional options and dimensional details please consult your New Star Lighting Representative. For specific electronic ballast, specify brand and catalog number.

## StarMed 8 (82 CRI)

| 4000K | REFLECTOR FINISH | LC3 (.125 THK.) WHITE FROSTED POLYCARBONATE | CLEAR ACRYLIC (.125 THK.) LENS |
|-------|------------------|---|--------------------------------|
| L1    | CLEAR SPECULAR   | 744   | 905                            |
| L2    | CLEAR SPECULAR   | 1,332                                       | 1,621                          |
| L3    | CLEAR SPECULAR   | 636   | 774                            |
| L4    | CLEAR SPECULAR   | 1,284                                       | 1,536                          |
| L5    | CLEAR SPECULAR   | 1,936                                       | 2,354                          |
| L6    | CLEAR SPECULAR   | 1,980                                       | 2,409                          |
| L6A   | CLEAR SPECULAR   | 2,670                                       | 3,249                          |
| L7    | CLEAR SPECULAR   | 3,270                                       | 3,979                          |

## StarMed 8 (82 CRI)

| 3000K | REFLECTOR FINISH | LC3 (.125 THK.) WHITE FROSTED POLYCARBONATE | CLEAR ACRYLIC (.125 THK.) LENS DELIVERED LUMENS |
|-------|------------------|---|---|
| L1    | CLEAR SPECULAR   | 696   | 847   |
| L2    | CLEAR SPECULAR   | 1,266                                       | 1,540   |
| L3    | CLEAR SPECULAR   | 636   | 774   |
| L4    | CLEAR SPECULAR   | 1,284                                       | 1,562   |
| L5    | CLEAR SPECULAR   | 1,935                                       | 2,354   |
| L6    | CLEAR SPECULAR   | 1,896                                       | 2,307   |
| L6A   | CLEAR SPECULAR   | 2,670                                       | 3,249   |
| L7    | CLEAR SPECULAR   | 3,000                                       | 3,650   |

## StarMed 8 (90 CRI)

| 3000K | REFLECTOR FINISH | LC3 (.125 THK.) WHITE FROSTED POLYCARBONATE | CLEAR ACRYLIC (.125 THK.) LENS DELIVERED LUMENS |
|-------|------------------|---|---|
| L2    | CLEAR SPECULAR   | 1,200                                       | 1,460   |
| L6C   | CLEAR SPECULAR   | 1,800                                       | 2,190   |
| L7    | CLEAR SPECULAR   | 3,000                                       | 3,450   |

## StarMed 8 MRI

| 3000K | REFLECTOR FINISH | LC3 (.125 THK.) WHITE FROSTED POLYCARBONATE | CLEAR ACRYLIC (.125 THK.) LENS DELIVERED LUMENS |
|-------|------------------|---|---|
| L3    | CLEAR SPECULAR   | 535   | 741   |
| L4    | CLEAR SPECULAR   | 976   | 1,189   |