

MRI STARTILE 11-14

AGS11/AGS14/AGG11/AGG14/AGF11/AGF14

SPECIFICATION FEATURES

FRAME: Fixture Frame White Extruded Aluminum. Non-ferrous material content. Surface fixtures have an aluminum back pan. Flange fixtures have an aluminum external frame.

LENS: Opal Polycarbonate lens standard.

LED: Available in four white color temperatures 3000°K, 3500°K, 4200°K and 5700°K. Other color temperatures available, consult factory. Standard 0-10V Meanwell dimming driver with 10-100% range.

ACCESSORY: Optional Recessed Frame to create a cove-like or skylight appearance (Grid only). The Frame elevates the StarTile 3-inches above a standard (15/16") Grid. Frame is available in aluminum (MRI compliant) with a white powder coat finish, unless otherwise specified. Must have a ceiling clearance of 4.5".

POWER SUPPLY:
LED driver included - must be remote mount. Must order Power Supply separately below. MRI room EMI filter required, supplied by others.
Input Voltage: AC120V-277V

AGG11: Input Power 18W
AGG14: Input Power 40W



APPLICATIONS: MRI Rooms.

MOUNTING: Mounting screws not provided.

LABEL: Fixture is listed for UL Damp Location.



ORDERING INFORMATION

SERIES	MOUNTING	SIZE	MRI	LENS	VOLTAGE	LAMP TYPE
AG			MRI	OP		
	S = Surface G = Grid F = Flange	11 = 1x1 14 = 1x4		OP = Opal Polycarbonate	12 = 120V 27 = 270V UN = Universal (120V-277V)	30 = 3000°K 35 = 3500°K 42 = 4200°K 57 = 5700°K
*Nominal Size. Dimensional Data on Page 2						

OPTIONS	ACCESSORY
EQ = Earthquake Clips *Can only be used with Grid applications	CA = Angled Frame AD = Straight Edge Frame *Made in aluminum with a white powder coat finish unless otherwise specified. Grid application only.

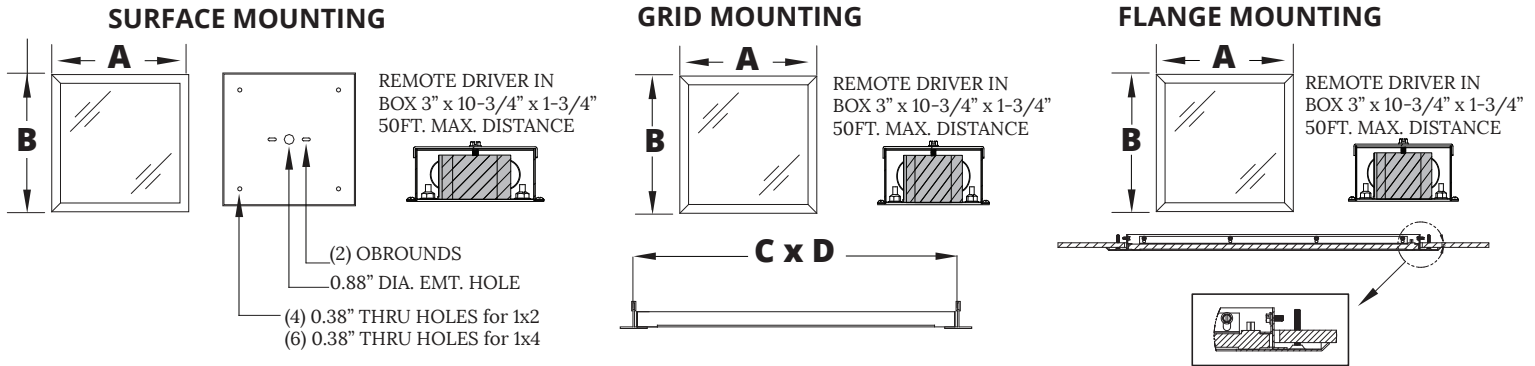
REMOTE POWER SUPPLY ORDERING INFORMATION

StarTile MRI fixtures supplied with LED Driver. Driver must be remote mount outside of MRI Room. One Driver inside one Box to power one fixture (maximum). Consult factory for additional options. MRI room EMI filter required (supplied by others). Note, each Power Supply requires individual Filter. Consult factory for additional Power Supply configurations.

SERIES	SIZE	OPTIONS
AG		PS-1/1-P
	14 = 1x4 22 = 2x2 24 = 2x4	DM1 = 0-10V dimming with 1-100% range

Notes:
Specifications and Dimensions are subject to change without notice.
For additional options and dimensional details please consult your New Star Lighting Representative.

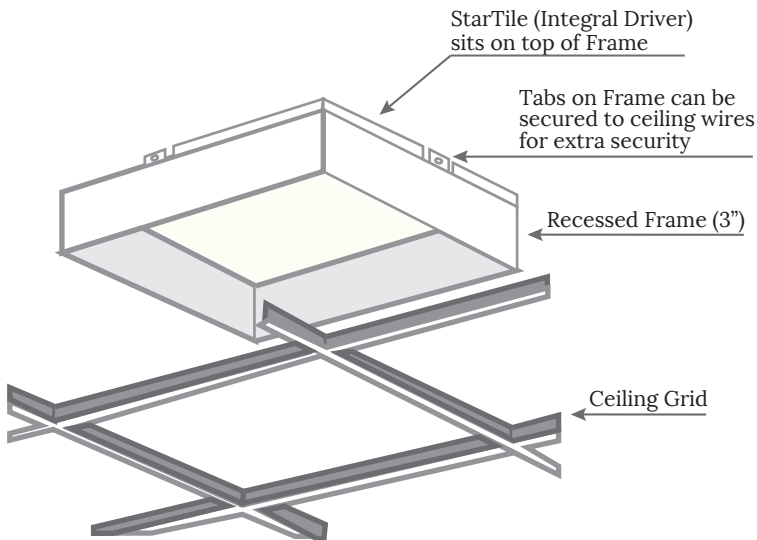
DIMENSIONAL DATA



	A	B	C	D	Depth	Recommended Ceiling Cut-Out
AGS11	12.00"	12.00"	-	-	1.00"	N/A
AGS14	12.00"	47.375"	-	-	1.00"	N/A
AGG11	11.81"	11.81"	12"	12"	0.56"	N/A
AGG14	11.81"	47.75"	12"	48"	0.56"	N/A
AGF11	15.50"	15.50"	-	-	1.30"	12.438" x 12.438"
AGF14	15.38"	50.813"	-	-	1.30"	12.312" x 48.062"

RECESSED FRAME

Dimensions based on standard (15/16") Grid . Must have 4.5" ceiling clearance.



StarTile shown with CA (Recessed Angled Frame)

	FRAME SIZE	STARTILE SIZE (without Driver Box)	TOTAL HEIGHT
AGG11	11.79" x 11.79" x 3.00"	11.81" x 11.81" x .056"	4.25"
AGG14	11.79" x 47.79" x 3.00"	11.81" x 47.75" x 0.56"	4.25"

Notes:
Specifications and Dimensions are subject to change without notice.
For additional options and dimensional details please consult your New Star Lighting Representative.

PERFORMANCE DATA

Model	Lamp Type	Lumens (Delivered)	Efficacy (lm/W)	Input Power (W)
AG11	3000°K	1344	74.1	18
	3500°K	1350	75	18
	4200°K	1400	75.9	18
	5700°K	1586	85.7	18
AG14	3000°K	3648	93.5	40
	3500°K	3786	95	40
	4200°K	3800	95.8	40
	5700°K	4305	108.2	40

Notes:
 Specifications and Dimensions are subject to change without notice.
 For additional options and dimensional details please consult your New Star Lighting Representative.