

# MRI STARTILE 22-24

AGS22/AGS24/AGG22/AGG24/AGF22/AGF24

**SPECIFICATION FEATURES**

**FRAME:** Fixture Frame White Extruded Aluminum. Non-ferrous material content. Surface fixtures have an aluminum back pan. Flange fixtures have an aluminum external frame.

**LENS:** Opal Polycarbonate lens standard.

**LED:** Available in four white color temperatures 3000°K, 3500°K, 4200°K and 5700°K. Other color temperatures available, consult factory. Standard 0-10V Meanwell dimming driver with 10-100% range.

**ACCESSORY:** Optional Recessed Frame to create a cove-like or skylight appearance (Grid only). The Frame elevates the StarTile 3-inches above a standard (15/16") Grid. Frame is available in aluminum (MRI compliant) with a white powder coat finish, unless otherwise specified. Must have a ceiling clearance of 4.5".

**POWER SUPPLY:**  
LED driver included - must be remote mount. Must order Power Supply separately below. MRI room EMI filter required, supplied by others.  
Input Voltage: AC120V-277V

AG22: Input Power 40.0W  
AG24: Input Power 80.0W



**APPLICATIONS:** MRI Rooms.

**MOUNTING:** Mounting screws not provided.

**LABEL:** Fixture is listed for UL Damp Location.



**ORDERING INFORMATION**

SERIES	MOUNTING	SIZE	MRI	LENS	VOLTAGE	LAMP TYPE
AG			MRI	OP		
	S = Surface G = Grid F = Flange	22 = 2x2 24 = 2x4		OP = Opal Polycarbonate	12 = 120V 27 = 270V UN = Universal (120V-277V)	30 = 3000°K 35 = 3500°K 42 = 4200°K 57 = 5700°K
		*Nominal Size. Dimensional Data on Page 2				

OPTIONS	ACCESSORY
EQ = Earthquake Clips  *Can only be used with Grid applications	CA = Angled Frame AD = Straight Edge Frame  *Made in aluminum with a white powder coat finish unless otherwise specified. Grid application only.

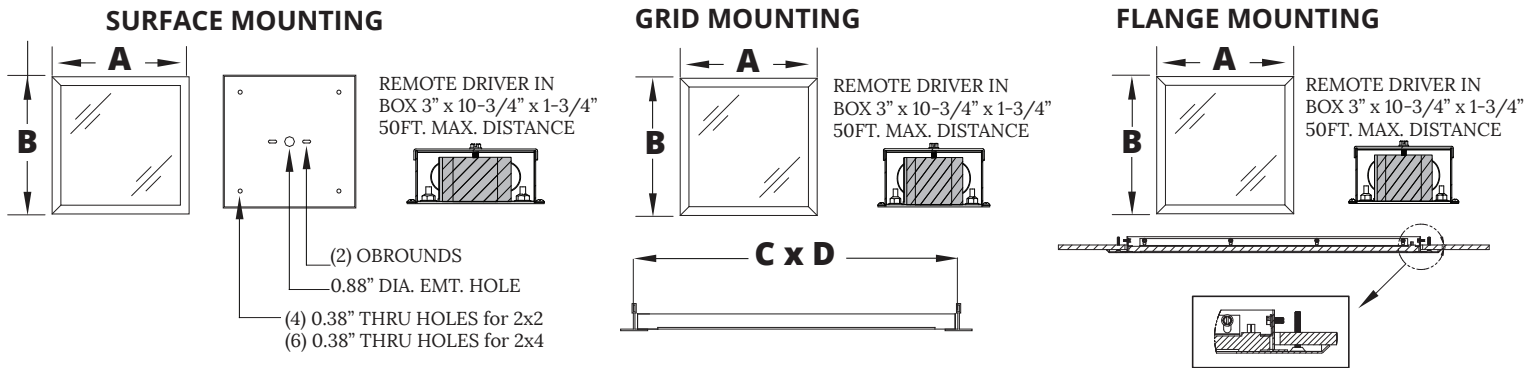
**REMOTE POWER SUPPLY ORDERING INFORMATION**

StarTile MRI fixtures supplied with LED Driver. Driver must be remote mount outside of MRI Room. One Driver inside one Box to power one fixture (maximum). Consult factory for additional options. MRI room EMI filter required (supplied by others). Note, each Power Supply requires individual Filter. Consult factory for additional Power Supply configurations.

SERIES	SIZE	PS-1/1-P	OPTIONS
AG	22 = 2x2 24 = 2x4	PS-1/1-P	DM1 = 0-10V dimming with 1-100% range

Notes:  
Specifications and Dimensions are subject to change without notice.  
For additional options and dimensional details please consult your New Star Lighting Representative.

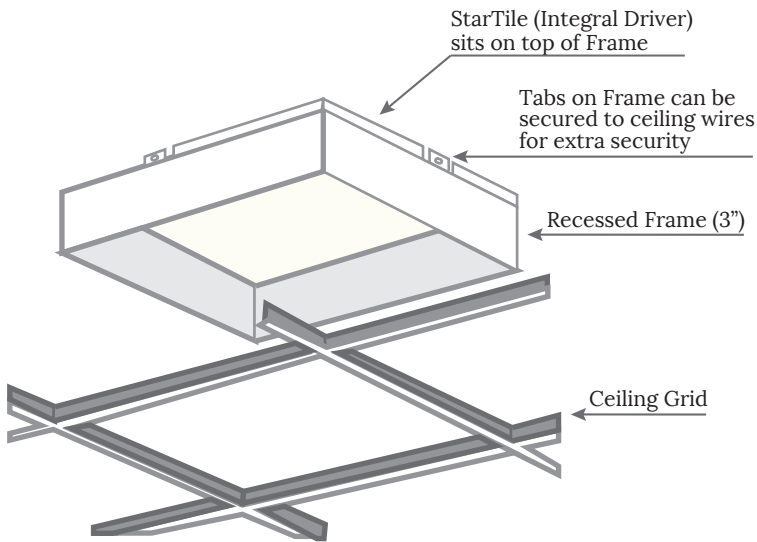
## DIMENSIONAL DATA



	A	B	C	D	Depth	Recommended Ceiling Cut-Out
AGS22	<b>23.77"</b>	<b>23.77"</b>	-	-	<b>1.00"</b>	<b>N/A</b>
AGS24	<b>23.81"</b>	<b>47.93"</b>	-	-	<b>1.00"</b>	<b>N/A</b>
AGG22	<b>23.62"</b>	<b>23.62"</b>	<b>24"</b>	<b>24"</b>	<b>0.56"</b>	<b>N/A</b>
AGG24	<b>23.62"</b>	<b>47.62"</b>	<b>24"</b>	<b>48"</b>	<b>0.56"</b>	<b>N/A</b>
AGF22	<b>27.188"</b>	<b>27.188"</b>	-	-	<b>1.30"</b>	<b>24.188" x 24.188"</b>
AGF24	<b>50.813"</b>	<b>27.188"</b>	-	-	<b>1.30"</b>	<b>24.188" x 48.188"</b>

## RECESSED FRAME

Dimensions based on standard (15/16") Grid. Must have 4.5" ceiling clearance.



StarTile shown with CA (Recessed Angled Frame)

	FRAME SIZE	STARTILE SIZE (without Driver Box)	TOTAL HEIGHT
AGG22	23.79" x 23.79" x 3.00"	23.62" x 23.62" x 0.56"	4.25"
AGG24	23.79" x 47.49" x 3.00"	23.62" x 47.62" x 0.56"	4.25"

Notes:  
Specifications and Dimensions are subject to change without notice.  
For additional options and dimensional details please consult your New Star Lighting Representative.

## PERFORMANCE DATA

Model	Lamp Type	Lumens (Delivered)	Efficacy (lm/W)	Input Power (W)
AG22	3000°K	3840	96.3	40
	3500°K	3900	98	40
	4200°K	4000	98.7	40
	5700°K	4532	111.5	40
AG24	3000°K	6700	80.7	80
	3500°K	6850	81.7	80
	4200°K	7000	82.7	80
	5700°K	7900	93.4	80

Notes:  
 Specifications and Dimensions are subject to change without notice.  
 For additional options and dimensional details please consult your New Star Lighting Representative.