

LPT SERIES LED

LPT22/LPT24

SPECIFICATION FEATURES

HOUSING: 20 gauge cold rolled steel housing.

LENS: .15 frosted polycarbonate lens for maximum light diffusion.

LED: Available in four color temperatures 3000°K, 3500°K, 4000°K and 5000°K. 0-10V dimming with 10-100% range standard.

FINISH: White powder coat finish following multistage iron phosphate pre-treatment.

MOUNTING: Grid installation with optional surface or flange mounting kit. Fixtures can also be suspended using attached hanging brackets. Earthquake clips standard.



APPLICATIONS: Commercial Settings, Schools, Office spaces, Hospitals, and more.

LABEL: Fixture is certified to UL standards. DLC Listed.



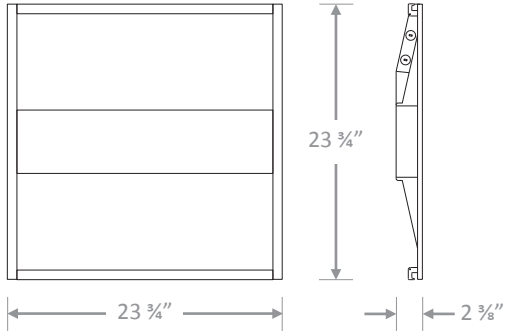
ORDERING INFORMATION

Example: LPTG22-HC-L2401C-PC-UN

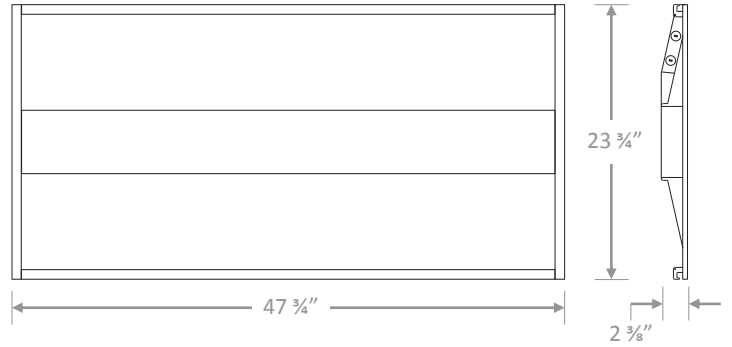
SERIES	MOUNTING	SIZE	HOUSING	LUMEN OUTPUT*	LAMP TYPE
LPT	G		HC	L2	
	G = Grid	22 = 2x2 24 = 2x4	HC = 20Ga. CRS Painted	L2 = Standard	30 = 3000°K 35 = 3500°K 40 = 4000°K 50 = 5000°K
		*Nominal Size. Dimensional Data on Page 2		*Subject to change. Data on Page 2	

CIRCUITS	LENS	VOLTAGE	ACCESSORIES
1C	PC	UN	
1C = 1 Circuit	PC = Polycarbonate	UN = Universal (120V-277V)	FK = Flange Mount Kit SK = Surface Mount Kit

DIMENSIONAL DATA



Weight: 6.2lbs.



Weight: 12.8lbs.

PERFORMANCE DATA

MODEL	OUTPUT	LAMP TYPE	LUMENS DELIVERED	EFFICACY (lm/W)	INPUT POWER (W)	L70 Hours
LPT22	Standard	3000°K	4195	131	32	199,000
		3500°K	4293	134	32	199,000
		4000°K	4371	137	32	199,000
		5000°K	4527	141	32	199,000
LPT24	Standard	3000°K	5680	129	44	199,000
		3500°K	5743	131	44	199,000
		4000°K	5794	132	44	199,000
		5000°K	5894	134	44	199,000

Notes:
 Specifications and Dimensions are subject to change without notice.
 For additional options and dimensional details please consult your New Star Lighting Representative.