

## COMPRO SERIES LED

CPPG2/CPPF2/CPPG4/CPPF4

### SPECIFICATION FEATURES

**HOUSING:** 20 gauge formed cold rolled steel housing seam welded and ground smooth (standard). Stainless steel or aluminum option available.

**FRAME:** Inset and overlapping doorframe available in aluminum, cold rolled steel, and stainless steel.

**LENS:** Ambient and Exam lens available in Prismatic Acrylic, Prismatic Polycarbonate and White Frosted Polycarbonate.

**LED:** Available in three color temperatures 3500°K, 4000°K and 5000°K. Other color temperatures available, consult factory. 0-10V dimming available with 10-100% range and 1-100% range. Must specify dimming under options.

**FASTENERS:** Stainless steel Philips flat head screws with captive cage nuts. Finish to match housing.

**FINISH:** White antimicrobial powder coat finish following multistage iron phosphate pre-treatment.

**GASKET:** Closed cell EPDM and closed cell silicone gaskets prevent air contaminations from entering the fixture.



**APPLICATIONS:** Patient Rooms, Exam Rooms, Recovery Areas, Skilled Nursing and more. Typically used in pairs adjacent to patient bed. Sold as a single unit. Must order a "Left" and a "Right" for a complete pair.

**MOUNTING:** Grid or Flange installation. Flange fixtures are shipped with yoke and hardware to mount yoke to fixture.

**LABEL:** Fixture is certified to UL standards by Intertek Testing Laboratory.



### ORDERING INFORMATION

Example: CPPG4R-HC/OC-L140-L2354C-A-RI-LN-UN

SERIES	MOUNTING	SIZE	POSITION	HOUSING	FRAME	AMBIENT LUMEN OUTPUT*	AMBIENT LAMP TYPE	EXAM LUMEN OUTPUT*
CPP						L1		
	G = Grid F = Flange*	2 = 2ft. 4 = 4ft.	L = Left R = Right	HC = 20Ga. CRS Painted HS = 20Ga. SS Brushed HP = 20Ga. SS Painted HA = 16Ga. Alum. Painted	INSET (I) or OVERLAP (O) OC = 18Ga. CRS Painted OS = 18Ga. SS Brushed OP = 18Ga. SS Painted OA = 16Ga. Alum Painted IC = 20Ga. CRS Painted IA = 16Ga. Alum Painted IB = 20Ga. SS Brushed IS = 20Ga. SS Painted	L1 = Standard	35 = 3500°K 40 = 4000°K 50 = 5000°K	L1 = Low L2 = Standard L3 = High
	*Flange shipped with yoke	*Nominal Size. Dimensional Data on Page 3	*Recommended to be used in pairs adjacent to the patient bed. Will need to order both a Left & a Right for a complete pair. Example on Page 3			*Subject to change. Data on Page 2. Delivered lumens are for one unit, not a pair.		*Subject to change. Data on Page 2. Delivered lumens are for one unit, not a pair.

EXAM LAMP TYPE	CIRCUITS	LENS	READING LIGHT*	NIGHT LIGHT	VOLTAGE	OPTIONS
35 = 3500°K 40 = 4000°K 50 = 5000°K	2C = 2 Circuits 3C = 3 Circuits 4C = 4 Circuits	A = .125 Prismatic Acrylic B = .125 Prismatic Poly. C = .156 Prismatic Poly. D = .187 Prismatic Poly. E = .125 White Frost Poly.	Blank = No Reading Light RI = LED Integral Light*	Blank = No Night Light LN = Integral Night Light*	12 = 120V 27 = 277V UN = Universal (120V-277V)	FZ = Fuse* DM = 0-10V dimming with 10-100% range DM1 = 0-10V dimming with 1-100% range EL1 = Remote Emerg. Bat. LED Low (1100-1250 lm) TH = Torx Head screws (with center pin) LV2 = Low Voltage Controller** LV3 = Low Voltage Controller*** 90C = 90 CRI for Ambient & Exam only
			*Reading Light is 3000°K unless otherwise specified	*Night Light is 3500°K unless otherwise specified.		

\* Cannot use with UN voltage  
\*\* Controls reading and ambient. Pillow switch by others. One Low Voltage Controller is required per Pair unless otherwise specified.  
\*\*\* Controls reading, ambient and night light. Pillow switch by others. One Low Voltage Controller is required per Pair unless otherwise specified.

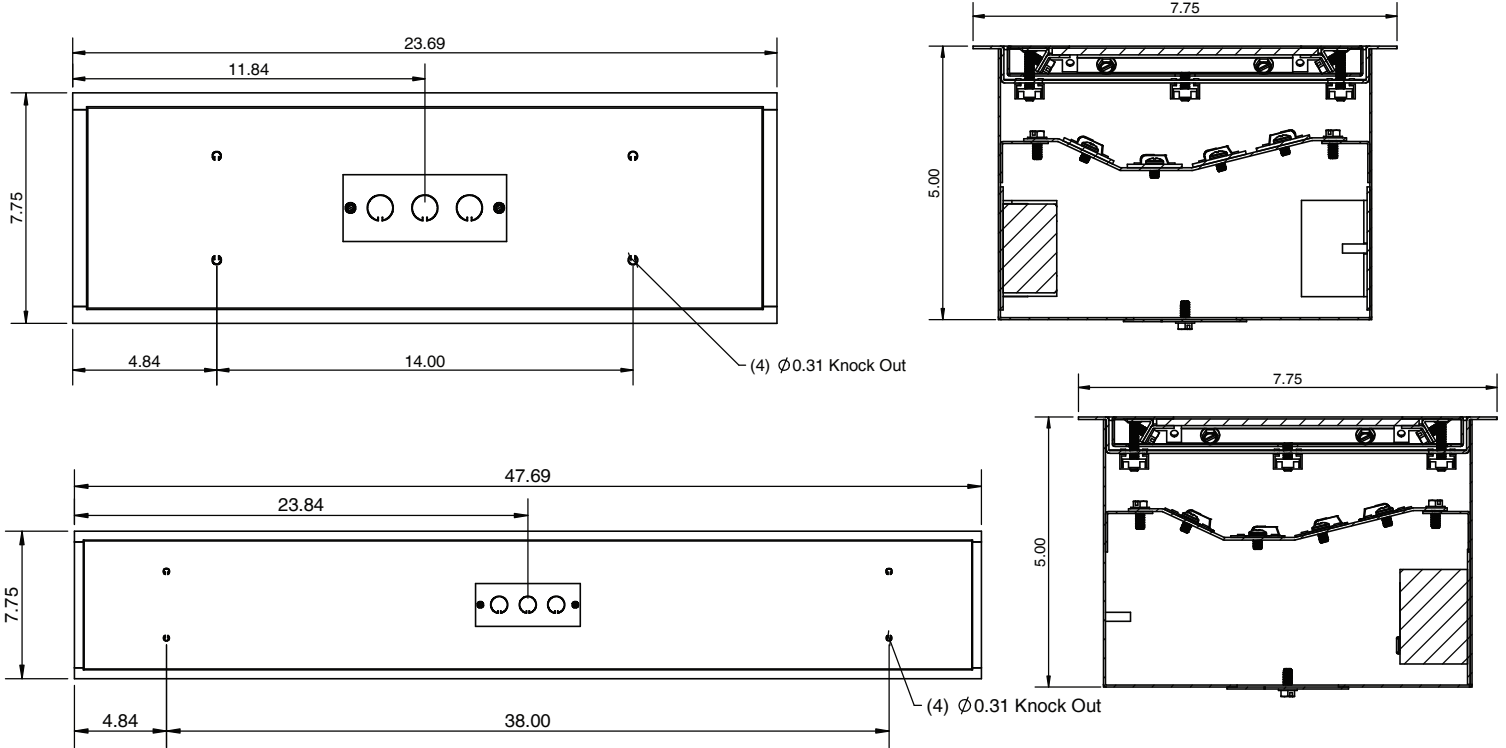
## PERFORMANCE DATA\*

MODEL	FUNCTION	OUTPUT	LAMP TYPE	LUMENS DELIVERED	EFFICACY (lm/W)	INPUT POWER (W)
CPP2	Ambient	Standard (Prismatic Lens)	3500°K	1100	88	12.5
			4000°K	1150	92	12.5
			5000°K	1200	96	12.5
		Standard (White Frost. Lens)	3500°K	975	78	12.5
			4000°K	1025	82	12.5
			5000°K	1075	86	12.5
	Exam	Low (Prismatic Lens)	3500°K	1250	96	13
			4000°K	1300	100	13
			5000°K	1350	104	13
		Standard (Prismatic Lens)	3500°K	1700	94	18
			4000°K	1750	97	18
			5000°K	1800	100	18
		High (Prismatic Lens)	3500°K	2100	91	23
			4000°K	2150	93	23
			5000°K	2200	96	23
		Low (White Frost. Lens)	3500°K	1050	81	13
			4000°K	1100	85	13
			5000°K	1150	88	13
		Standard (White Frost. Lens)	3500°K	1450	81	18
			4000°K	1500	83	18
			5000°K	1550	86	18
		High (White Frost. Lens)	3500°K	1700	74	23
			4000°K	1750	76	23
			5000°K	1800	78	23
Reading		3000°K	200	50	4	
CPP4	Ambient	Standard (Prismatic Lens)	3500°K	2200	88	25
			4000°K	2300	92	25
			5000°K	2400	96	25
		Standard (White Frost. Lens)	3500°K	1950	78	25
			4000°K	2050	82	25
			5000°K	2150	86	25
	Exam	Low (Prismatic Lens)	3500°K	2500	96	26
			4000°K	2600	100	26
			5000°K	2700	104	26
		Standard (Prismatic Lens)	3500°K	3400	94	36
			4000°K	3500	97	36
			5000°K	3600	100	36
		High (Prismatic Lens)	3500°K	4200	91	46
			4000°K	4300	93	46
			5000°K	4400	96	46
		Low (White Frost. Lens)	3500°K	2100	81	26
			4000°K	2200	85	26
			5000°K	2300	88	26
		Standard (White Frost. Lens)	3500°K	2900	81	36
			4000°K	3000	83	36
			5000°K	3100	86	36
		High (White Frost. Lens)	3500°K	3400	74	46
			4000°K	3500	76	46
			5000°K	3600	78	46
Reading		3000°K	200	50	4	

\*Data for individual unit. Subject to change without notice.

Notes:  
 Specifications and Dimensions are subject to change without notice.  
 For additional options and dimensional details please consult your New Star Lighting Representative.

## DIMENSIONAL DATA



## ORDERING EXAMPLE

Sold as a single unit. Recommended to be used in pairs adjacent to patient bed, order (2) fixtures. Order a "Left" and a "Right" for a complete pair (2 separate line items). Consult factory for additional questions.

