

## GATEWAY SERIES LED

### GTW2/GTW4

#### SPECIFICATION FEATURES

**HOUSING:** 16 gauge formed aluminum housing and endcaps (standard). Optional stainless steel and cold rolled steel. Cold rolled steel recommended for indoor use.

**OPTIC:** Rotatable frosted polycarbonate lens inside aluminum frame.

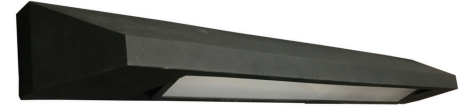
**OPTIC LOCKING MECHANISM:** Optional internal locking mechanism for optic chamber. Five field adjustable locking positions.

**LED:** Available in four color temperatures 3000°K, 3500°K, 4000°K and 5000°K. Other color temperatures available, consult factory. 0-10V dimming available with 10-100% range and 1-100% range. Must specify dimming under options.

**FASTENERS:** Torx Head screws with center pin reject (standard). Optional Philips flat head screws.

**FINISH:** Extremely durable powder coat finish available in black (standard) or custom color. Finish suitable for outdoor applications.

**GASKET:** Closed cell neoprene gaskets prevent air contaminations from entering the fixture.



**APPLICATIONS:** Over the door luminaire, Architectural drip edge, Exteriors, Entryways, Facades, Commercial Settings, Transportation Settings, and more.

**MOUNTING:** Separate mounting bracket allows for easy wall installation.

**LABEL:** Fixture is certified to UL standards. \*Patent-Pending\*



#### ORDERING INFORMATION

Example: GTW2-HA-L230-UN-BK

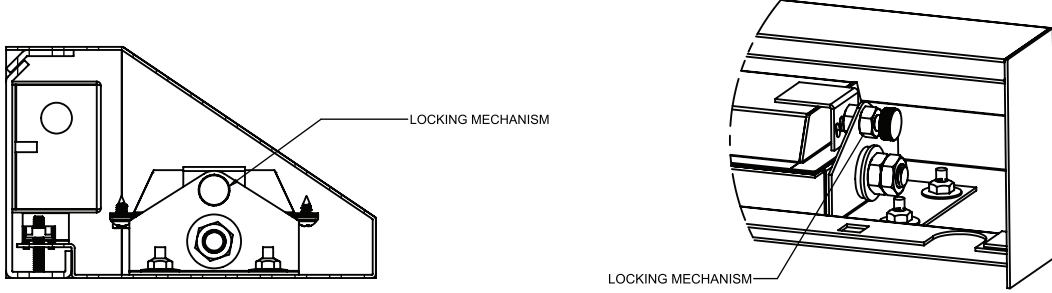
SERIES	SIZE	HOUSING	LUMEN OUTPUT*	LAMP TYPE
GTW	2 = 2ft.	HA = 16Ga. Alum. Painted	L1 = Standard	30 = 3000°K
	4 = 4ft.	HS = 20Ga. SS Brushed HP = 20Ga. SS Painted HC = 20Ga. CRS Painted*	L2 = High	35 = 3500°K 40 = 4000°K 50 = 5000°K
*Nominal Size. 2ft and 4ft refer to optic. Dimensional Data on Page 2		*Not recommended for outdoor applications	*Subject to change. Performance data on Page 2.	

VOLTAGE	FINISH	OPTIONS
12 = 120V 27 = 277V UN = Universal (120V-277V)	BK = Black CC = Custom Color	FZ = Fuse* DM = 0-10V dimming with 10-100% range DMI = 0-10V dimming with 1-100% range OC = Occupancy Sensor EL = Emergency Batt Pack CEL1 = CA Title 24 Emerg. Batt Pack PH = Philips Flat Head Screw ED = Two Drivers & Two Emerg Batt Packs for independent light engine operation** GLM = Optic locking mechanism***

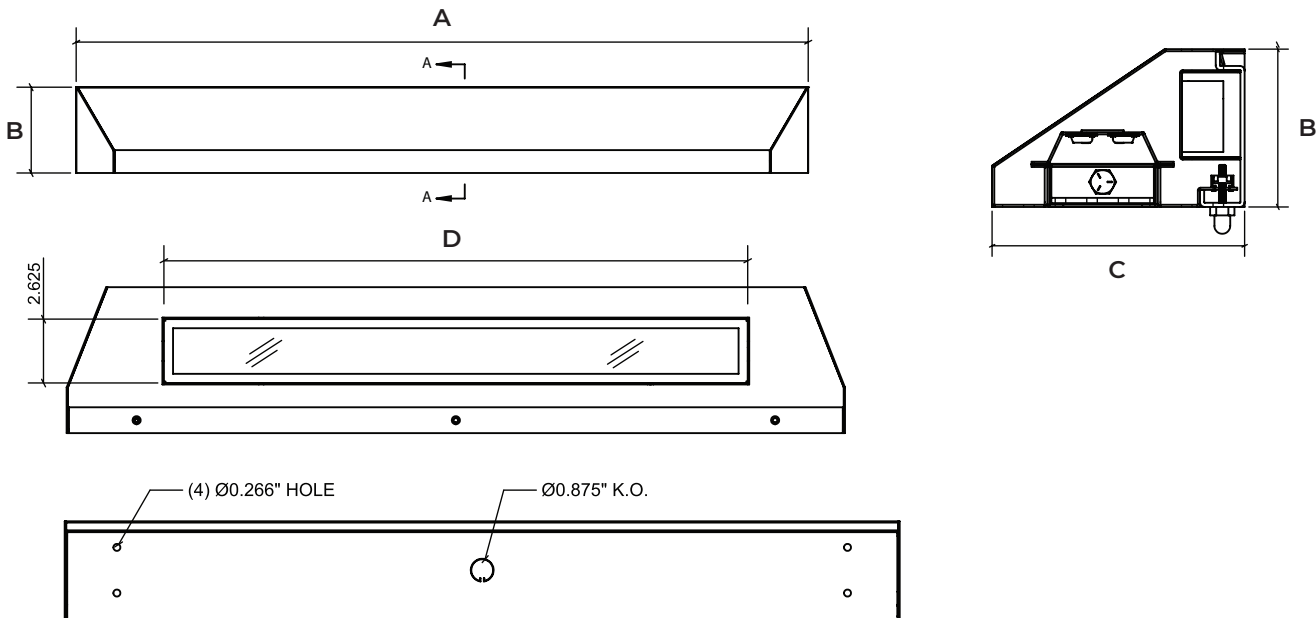
\* Cannot use with UN voltage  
\*\* GTW2 requires separate back box. Consult factory for CA Title 24 compliance. N/A with L1  
\*\*\* See page 2 for more information

### OPTIC LOCKING MECHANISM (GLM)

Internal field adjustable locking mechanism for optic chamber with five positions: -25°, -12.5°, 0°, 12.5°, 25°. Pull back internal spring pin, adjust optic, release spring to lock into one of the 5 positions. Consult factory for questions.



### DIMENSIONAL DATA



	A	B	C	D
<b>GTW2</b>	32.00"	3.75"	6.00"	24.00"
<b>GTW4</b>	56.00"	3.75"	6.00"	48.00"

### PERFORMANCE DATA\*

MODEL	OUTPUT	LAMP TYPE	LUMENS DELIVERED	EFFICACY (lm/W)	INPUT POWER (W)
GTW2	Standard	4000°K	970	78	12.5
	High	4000°K	1940	78	25
GTW4	Standard	4000°K	1940	78	25
	High	4000°K	3880	78	50

\*Subject to change without notice. Visit [www.newstarlighting.com](http://www.newstarlighting.com) for additional information and IES files.