

GATEWAY SERIES LED

GTW2/GTW4

SPECIFICATION FEATURES

HOUSING: 16 gauge formed aluminum housing and endcaps (standard). Optional stainless steel and cold rolled steel. Cold rolled steel recommended for indoor use.

OPTIC: Rotatable frosted polycarbonate lens inside aluminum frame.

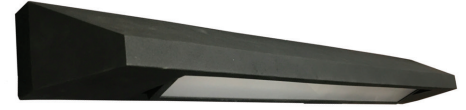
OPTIC LOCKING MECHANISM: Optional internal locking mechanism for optic chamber. Five field adjustable locking positions.

LED: Available in four color temperatures 3000°K, 3500°K, 4000°K and 5000°K. Other color temperatures available, consult factory. 0-10V dimming available with 10-100% range and 1-100% range. Must specify dimming under options.

FASTENERS: Torx Head screws with center pin reject (standard). Optional Philips flat head screws.

FINISH: Extremely durable powder coat finish available in black (standard) or custom color. Finish suitable for outdoor applications.

GASKET: Closed cell neoprene gaskets prevent air contaminations from entering the fixture.



APPLICATIONS: Over the door luminaire, Architectural drip edge, Exteriors, Entryways, Facades, Commercial Settings, Transportation Settings, and more.

MOUNTING: Separate mounting bracket allows for easy wall installation.

LABEL: Fixture is certified to UL standards. *Patent-Pending*



ORDERING INFORMATION

Example: GTW2-HA-L230-UN-BK

SERIES	SIZE	HOUSING	LUMEN OUTPUT*	LAMP TYPE
GTW	2 = 2ft.	HA = 16Ga. Alum. Painted	L1 = Standard	30 = 3000°K
	4 = 4ft.	HS = 20Ga. SS Brushed	L2 = High	35 = 3500°K
		HP = 20Ga. SS Painted		40 = 4000°K
		HC = 20Ga. CRS Painted*		50 = 5000°K
	*Nominal Size. 2ft and 4ft refer to optic. Dimensional Data on Page 2	*Not recommended for outdoor applications	*Subject to change. Performance data on Page 2.	

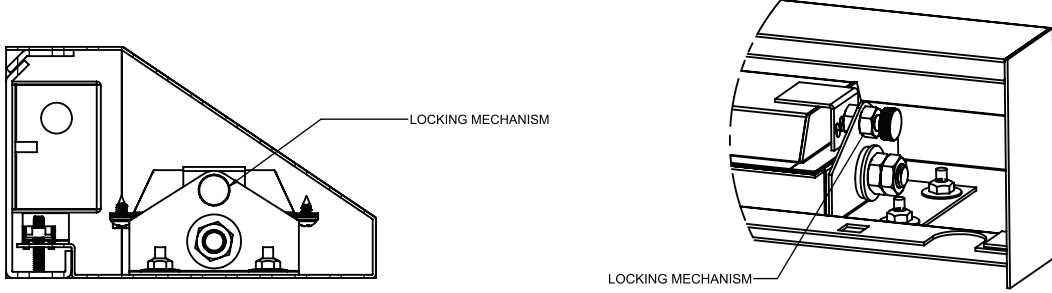
VOLTAGE	FINISH	OPTIONS
12 = 120V 27 = 277V UN = Universal (120V-277V)	BK = Black CC = Custom Color	FZ = Fuse* DM = 0-10V dimming with 10-100% range DMI = 0-10V dimming with 1-100% range OC = Occupancy Sensor EL = Emergency Batt Pack CEL1 = CA Title 24 Emerg. Batt Pack PH = Philips Flat Head Screw ED = Two Drivers & Two Emerg Batt Packs for independent light engine operation** GLM = Optic locking mechanism***

* Cannot use with UN voltage
** GTW2 requires separate back box. Consult factory for CA Title 24 compliance
*** See page 2 for more information

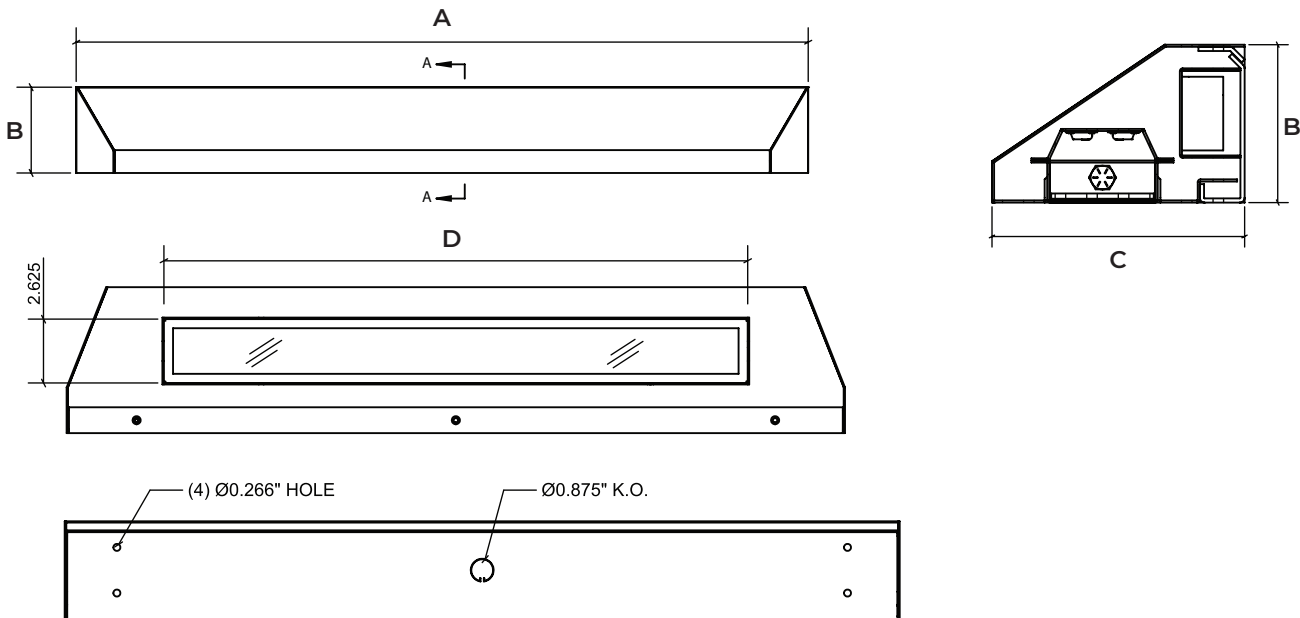
Notes:
Specifications and Dimensions are subject to change without notice.
For additional options and dimensional details please consult your New Star Lighting Representative.

OPTIC LOCKING MECHANISM (GLM)

Internal field adjustable locking mechanism for optic chamber with five positions: -25°, -12.5°, 0°, 12.5°, 25°. Pull back internal spring pin, adjust optic, release spring to lock into one of the 5 positions. Consult factory for questions.



DIMENSIONAL DATA



	A	B	C	D
GTW2	32.00"	3.75"	6.00"	24.00"
GTW4	56.00"	3.75"	6.00"	48.00"

PERFORMANCE DATA*

MODEL	OUTPUT	LAMP TYPE	LUMENS DELIVERED	EFFICACY (lm/W)	INPUT POWER (W)
GTW2	Standard	4000°K	970	78	12.5
	High	4000°K	1940	78	25
GTW4	Standard	4000°K	1940	78	25
	High	4000°K	3880	78	50

*Subject to change without notice. Visit www.newstarlighting.com for additional information and IES files.