

# STAR SURGICAL 22-24 FLANGE

HEALTHCARE SERIES  
SURGICAL FLANGE LUMINAIRE  
FLUORESCENT/LED



PROJECT: \_\_\_\_\_

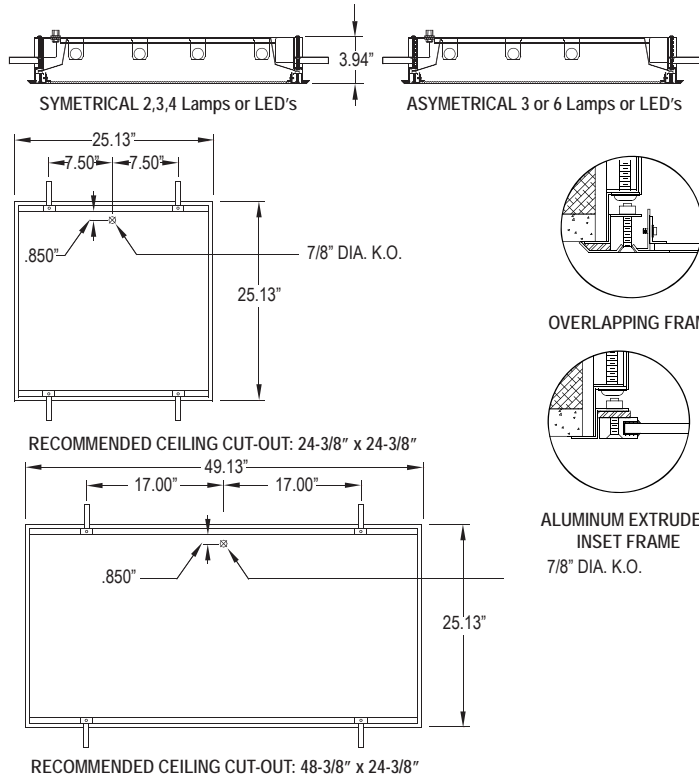
TYPE: \_\_\_\_\_

PRODUCT: \_\_\_\_\_

APPROVED: \_\_\_\_\_

DATE: \_\_\_\_\_

## DIMENSIONAL DATA



## FEATURES

The New Star "Surgical F22-F24" Healthcare fixture is designed for use in surgical suites and medical settings which employ laminar or turbulent cleanroom airflow and areas where clean is critical.

- Enclosed design to insure ingress protection
- "Swing arm" mounting system for easy installation
- Standard overlapping frame made from single sheet CRS with beveled edges
- Inset frame fabricated from extruded aluminum
- Sealed, reinforced mitered corners
- Asymmetrical light distribution available
- Dimming Driver (0-10V) standard
- Dimming 1% available
- Gasketed for contamination control
- Lens opt. for different high tech med. needs
- Smooth surface for minimal maintenance
- Accommodates extreme cleaning protocols
- IP65 rated with overlap frame and inset CRS and aluminum painted only

## APPLICATION

- Operating Rooms
- Isolation Suites
- Patient Examination Rooms
- Laboratory

## SPECIFICATION FEATURES

### HOUSING:

20 gauge formed cold rolled steel housing with continuous seam welds. Aluminum and stainless steel option available. Manufactured in accordance with NSF standards.

### FRAME:

Inset extruded door available in anodized aluminum or white painted aluminum. Overlapping door frame available in aluminum, CRS and stainless steel. Frame fastened to housing via aircraft cable.

### LENS:

**SYMMETRICAL/ASYMMETRICAL:** Acrylic lens with optional RFI and symmetric / asymmetric or symmetric pattern, smooth side out. Overlapping frame uses a rail hold down system with silicone sealant.

### ELECTRONICS:

Fluorescent:  
Electronic Ballast <10% THD standard. RIF available. Lamps by others.

### LED:

Available in three standard color temperatures 3500°K, 4000°K & 5000°K. Other color temperatures available, consult factory.

### LED NIGHT LIGHT:

Integrated switch allows light selection at 100%, 70%, 40% and 10% levels

### GASKET:

Closed cell PVC or extruded silicone gaskets prevent air contaminants from entering room.

### FASTENERS:

Phillips flat head screws with captive cage

### FINISH:

White Antimicrobial powdercoat finish following iron phosphate pre-treatment.

### INSTALLATION:

Easy installation with adjustable 90° swing arm system standard.

### LABEL:



## ORDERING INFORMATION

Product Family	Housing Matl.	Frame	# of Lamps	Lamp Type
<b>SSF_</b>				
<b>SSF22</b> 25-1/8" x 25-1/4" x 3-15/16"	HC = 20Ga. CRS (Standard)	Overlap Frame	Fluorescent: SSF22-SSF24: SYMMETRICAL: 2 = 2 Lamp 4 = 4 Lamp 3 = 3 Lamp 6 = 6 Lamp	LED SSF22: L2 = LED 2 Rw (25W) L3 = LED 3 Rw (37.5W) L4 = LED 4 Rw (50W) L5 = LED 5 Rw (62.5W) L6 = LED 6 Rw (75W) L7 = LED 7 Rw (87.5W) L8 = LED 8 Rw (100.0W)
<b>SSF24</b> 25-1/8" x 49-1/8" x 3-15/16"	HS = 20Ga. S.S. HP = 20Ga. S.S (Painted) HA = Alum.(Painted) .050	Inset Frame Options: IE=Extruded Alum.No IP65 IP=Extruded Alum.(Paint.) No IP65 IC=20Ga. CRS IP65 IA=Alum.(Paint.) IP65 IB=20Ga. S.S.(Brush.) IP65 IS=20Ga. S.S.(Paint.) IP65	LED SSF24: L2 = LED 2 Rw (50W) L3 = LED 3 Rw (75W) L4 = LED 4 Rw (100W) L5 = LED 5 Rw (125W) L6 = LED 6 Rw (150W) L7 = LED 7 Rw (175W) L8 = LED 8 Rw (200W)	SSF22: 17 = Linear 17W T8 14 = Linear 14W T5 24 = Linear 24W T5 HO U6 = 32W U-Lamp • LED: (6" leg spacing) 35 = White 3500° K 40 = White 4000° K 50 = White 5000° K
<b># Ballasts/Driver</b>	<b>Lens</b>	<b>Voltage</b>	<b>Options</b>	
Fluorescent: 1 = Ballast 2 = Ballast	LED: 1 = Driver 2 = Driver 3 = Driver 4 = Driver	12 = 120V 27 = 277V 34 = 347V ■ UN = Universal (120V-277V)	DB = Dimming Ballast (0-10V) *◆ DM1% = Dimming 1% SD2 = Step Dim. Module(50-100%)▲ SD3 = Step Dim. Module(25-50-100%)▲ SD3A=Step Dim. Module(33-66-100%)▲ PR = Program Rapid Start NL = Fluorescent Night Light * LN = LED Night Light. Consult factory for available color/temperatures. FZ = Fuse *	
	A = .125 Prismatic Acrylic S = .150 Symmetric Asymmetric with RFI Grid Prismatic Acrylic R = .125 Symmetric Prismatic Acrylic with RFI Grid LC3 = .125 White Frosted Polycarbonate		E1 = Emerg. Bat. Pack (450 Lumens) * ◆◆ E2 = Emerg. Bat. Pack (1100 Lumens) * ◆◆ EL1= Emerg. Bat. LED Low EL2= Emerg. Bat. LED High TH = Torx Head screws (with center pin) TM = Tandem Mount HG = Continuous Hinge door RF = RIF (Radio Interference Filter)* TH = Torx Head screws (with center pin) MS = MIL-STD-461F	

- \* Cannot use with universal voltage option
- ◆ Consult factory for T5 availability
- Consult factory for lamp-ballast options
- ▲ Not available in 277V
- 2 lamp only
- ◆ Not available in LED

Notes:  
Specifications and Dimensions are subject to change without notice. For additional options and dimensional details please consult your New Star Lighting Representative. For specific electronic ballast, specify brand and catalog number.





# LED BOARDS	# ROWS	WATTAGE	EFFICACY (lm/W)	DELIVERED LUMENS
<b>SSG22-SSF22-SSS22</b>				
<b>SCG22-SCF22-SCS22:</b>				
L2	2 Rw	(25W)	110	2,750 LMS
L3	3 Rw	(37.5W)	110	4,125 LMS
L4	4 Rw	(50W)	110	5,500 LMS
L5	5 Rw	(62.5W)	110	6,875 LMS
L6	6 Rw	(75W)	110	8,250 LMS
L7	7 Rw	(87.5W)	110	9,625 LMS
L8	8 Rw	(100.0W)	110	11,0000 LMS
<b>SSG24-SSF24-SSS24</b>				
<b>SCG24-SCF24-SCS24:</b>				
L2	2 Rw	(50W)	110	4,125 LMS
L3	3 Rw	(75W)	110	8,250 LMS
L4	4 Rw	(100W)	110	11,0000 LMS
L5	5 Rw	(125W)	110	13,7500 LMS
L6	6 Rw	(150W)	110	16,5000 LMS
L7	7 Rw	(175W)	110	19,2500 LMS
L8	8 Rw	(200W)	110	22,000 LMS
* TAKE AN ADDITIONAL 20% OFF DELIVERED LUMENS WHEN SPECIFYING THE LC3 LENS				