

MUSCON UNDERCABINET LED

MUSCON2/MUSCON3/MUSCON4

FEATURES:

- Undercabinet task lighting intended for High Abuse and Correctional Settings, Detention Centers, Shelf Lighting, Offices, Schools and more
- Available in three lengths including 2ft, 3ft and 4ft
- Surface installation
- Fixture is certified to UL standards by Intertek Testing Laboratories for Damp Location
- This product was Made in America and complies with the Buy American Act requirements

RELATED PRODUCTS:

- [MUS Undercabinet](#)



MUSCON2



SPECIFICATIONS

CONSTRUCTION: 16 gauge formed cold rolled steel housing with a one-piece frame for maximum durability.

LENS: Outer and Inner lens options secured by "Z" retainers.

LED: Available in three color temperatures 3000°K, 3500°K, and 4000°K with maximum 3-step MacAdam variation allowance. Other color temperatures available, consult factory. Minimum 80 CRI standard.

ELECTRICAL: 0-10V dimming available with 1-100% range. Must specify dimming under options.

FASTENERS: Stainless steel tamper resistant countersunk Flat Head Torx Screws with center pin reject.

FINISH: White powder coat finish following multistage iron phosphate pretreatment. Consult factory for an antimicrobial finish or custom color, subject to set-up fees.

INSTALLATION: Surface installation. Hardware by others.

WARRANTY: [New Star Promise](#). Limited five (5) year warranty.

LABEL: Fixture is certified to UL standards by Intertek Testing Laboratories for Damp Location.

MUSCON UNDERCABINET LED

MUSCON2/MUSCON3/MUSCON4

ORDERING INFORMATION

EXAMPLE: MUSCON2-HC-L135-CP12/PP12-UN

SERIES	SIZE*	CONSTRUCTION	LUMEN OUTPUT*	COLOR TEMP.	OUTER LENS
MUSCON		HC	L1		
	2 = 2ft.	HC = 16Ga. CRS Painted	L1 = Standard	30 = 3000°K	0 = No Outer Lens
	3 = 3ft.			35 = 3500°K	CP12 = .125 Clear Poly.
	4 = 4ft.		*Subject to change.	40 = 4000°K	CP15 = .156 Clear Poly.

*Nominal Size.
 Dimensional Data on
 Page 3.

INNER LENS	VOLTAGE	OPTIONS

PA12 = .125 Prismatic Acrylic	12 = 120V	DMI = 0-10V dimming with 1-100% range
PP12 = .125 Prismatic Poly.	27 = 277V	FZ1 = Fuse (120V)
PP15 = .156 Prismatic Poly.	UN = Universal	FZ2 = Fuse (277V)
WP12 = .125 White Frosted Poly.	(120V-277V)	CO = Convenience Outlet (120V)

PERFORMANCE DATA*

*Displayed information is with .125 Prismatic Polycarbonate lens and 80 CRI white LED chip. LEDs are frequently updated therefore values may change without notice.

MODEL	OUTPUT	COLOR TEMP.	LUMENS DELIVERED	EFFICACY (lm/W)	INPUT POWER (W)
MUSCON2	L1 = Standard	4000°K	1250	100	12
MUSCON3	L1 = Standard	4000°K	1875	100	18
MUSCON4	L1 = Standard	4000°K	2500	100	25

This product was Made in America and complies with the Buy American Act requirements. Specifications and dimensions are subject to change without notice. For additional options and dimensional details, please consult your New Star Lighting representative.

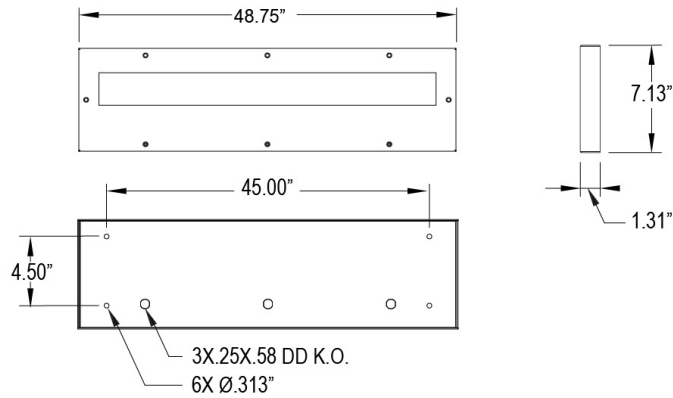
MUSCON UNDERCABINET LED

MUSCON2/MUSCON3/MUSCON4

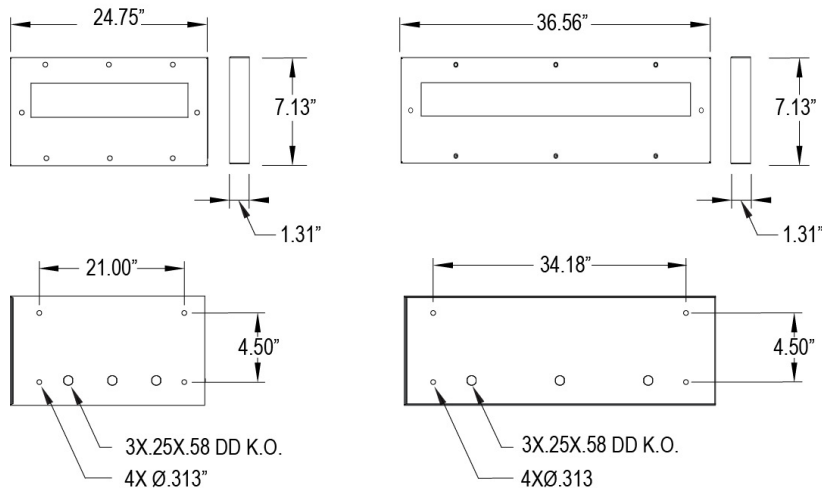


DIMENSIONAL DATA

Fixture weight varies and is dependent upon chosen specifications. Consult factory for additional information. Average weight of the MUSCON4 is 20lb.



MUSCON 4



MUSCON 2

MUSCON 3

This product was Made in America and complies with the Buy American Act requirements. Specifications and dimensions are subject to change without notice. For additional options and dimensional details, please consult your New Star Lighting representative.