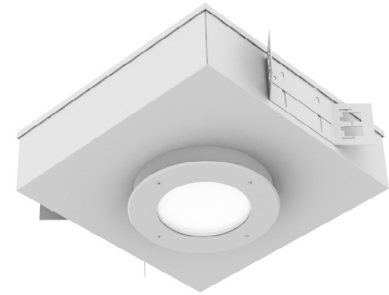


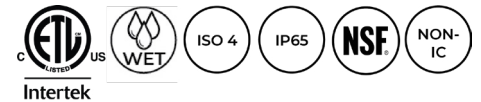
STARMED DOWNLIGHT SERIES DLM6/DLM8

FEATURES:

- Intended for Surgical Suites, Patient Rooms, Hospitals, Cleanrooms, Hi-Tech Manufacturing, Laboratory, Food Processing Facilities, and more
- Enclosed aluminum or cold rolled steel housing with extruded aluminum heat sink
- Available in 6" aperture and 8" aperture
- Suitable for Wet Location installations, through branch wiring, IP65 rating, meets ISO 4/Class 10 Cleanrooms, and NSF2 Splash/Non-Food Zone
- Variety of wattages and lumen packages
- This product was Made in America and complies with the Buy American Act requirements



DLM6



RELATED PRODUCTS:

- [StarMed Downlights \(DLM6\) Quick Ship Ordering Options](#)
- [StarMed Downlights MRI \(DLM6\)](#)

SPECIFICATIONS

CONSTRUCTION: Sealed housing in 16-gauge aluminum (standard) or 18-gauge cold rolled steel with an extruded aluminum heat sink designed for maximum thermal dissipation.

LENS: Prismatic acrylic or white frosted polycarbonate inner lens to diffuse LED module with an optional clear outer lens.

LED: LED module available in three color temperatures 3000°K, 3500°K, and 4000°K with maximum 3-step MacAdam variation allowance. Other color temperatures available, consult factory. Minimum 80 CRI standard with optional minimum 90 CRI available.

ELECTRICAL: 0-10V dimming available with 10-100% range and 1-100% range. Must specify dimming under options. Rated for through-branch wiring.

FASTENERS: Stainless steel Philips flat head screws with captive cage nuts. Finish to match trim.

FINISH: White antimicrobial powder coat finish following multistage iron phosphate pretreatment on all exposed room-side painting surfaces, unless otherwise specified.

GASKET: Closed cell EPDM and closed cell silicone gaskets prevent air contaminations from entering the fixture.

INSTALLATION: Recessed installation.

WARRANTY: Limited five (5) year warranty.

LABEL: Fixture is certified to UL standards by Intertek Testing Laboratory for non-IC and Wet Location installations (under covered ceiling). Suitable for through branch wiring. IP65 rating. Meets ISO 4/Class 10 Cleanrooms. NSF2 Splash/Non-Food Zone. Optional MIL-STD-461F.

STARMED DOWNLIGHT SERIES

DLM6/DLM8

ORDERING INFORMATION

EXAMPLE: DLM6-HA-L640-A/A-A-3-UN

SERIES	APERTURE	HOUSING	LUMEN OUTPUT*	COLOR TEMP.	OUTER LENS
DLM					
	6 = 6 inch	HA = 16Ga. Aluminum Painted	L1 = 11W 82 CRI	30 = 3000°K	A = .125 Clear Acrylic
	8 = 8 inch	D = 18Ga. CRS Painted	L2 = 29W 82 CRI	35 = 3500°K	B = .125 Clear Polycarbonate
			L2C = 29W 90 CRI	40 = 4000°K	C = .187 Clear Polycarbonate
			L3 = 13W 82 CRI		D = .250 Clear Polycarbonate
			L4 = 25W 82 CRI		E = .375 Clear Polycarbonate
			L5 = 37W 82 CRI		F = .125 Clear Tempered Glass
			L6 = 45W 82 CRI		G = .187 Clear Tempered Glass
			L6C = 34W 90 CRI		H = .250 Clear Tempered Glass
			L6A = 54W 82 CRI		O = None
			L7 = 52W 82 CR		

*Subject to change.
 Performance Data on page 3.

INNER LENS	TRIM	REFLECTOR	VOLTAGE	OPTIONS
		3		
A = .125 Prismatic Acrylic	A = .080 Aluminum Painted	3 = Antimic Low Gloss White	12 = 120V	FZ1 = Fuse (120V)
B = .125 Prismatic Poly.	B = 18Ga. CRS Painted		27 = 277V	FZ2 = Fuse (277V)
C = .156 Prismatic Poly.	C = 18Ga. 304 Brushed*		UN = Universal (120V-277V)	EM = Emerg. Batt (remote)
D = .125 White Frosted Poly.	D = 18Ga. SS Painted*			TH = Torx Head screws (with center pin)*
E = .156 Prismatic Temp. Glass				MS = MIL-STD-461F
	*Additional fees may apply. Consult factory for details.			DM = 0-10V dimming with 10-100% range
				DM1 = 0-10V dimming with 1-100% range

*TH are not NSF-rated.

This product was Made in America and complies with the Buy American Act requirements. Specifications and dimensions are subject to change without notice. For additional options and dimensional details, please consult your New Star Lighting representative.

STARMED DOWNLIGHT SERIES

DLM6/DLM8



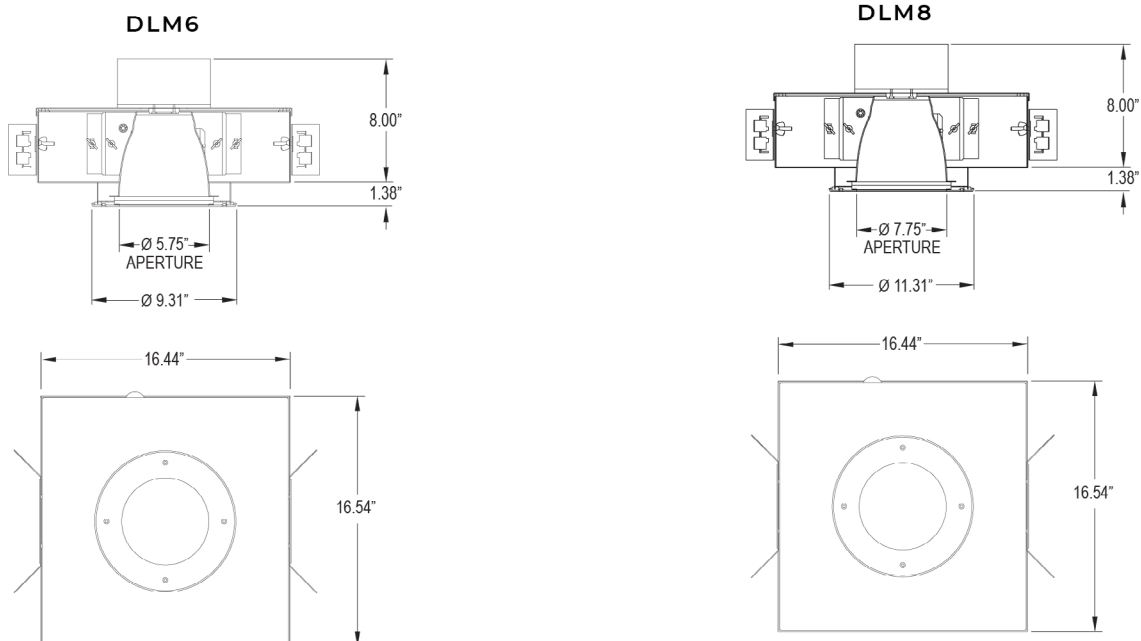
PERFORMANCE DATA*

*LEDs are frequently updated therefore values may change without notice.

DLM (82 CRI)	4000°K	LC3	Clear Acrylic	Wattage
	L1	744	905	11
	L2	1332	1621	29
	L3	636	774	13
	L4	1284	1536	25
	L5	1934	2354	37
	L6	1980	2409	45
	L7	3270	3979	52
DLM (82 CRI)	3000°K	LC3	Clear Acrylic	Wattage
	L1	696	847	11
	L2	1266	1540	29
	L3	636	774	13
	L4	1284	1562	25
	L5	1936	2354	37
	L6	1896	2307	45
	L7	3000	3650	52
DLM (90 CRI)	3000°K	LC3	Clear Acrylic	Wattage
	L2	1200	1460	29
	L6C	1800	2190	34
	L7C	3000	3450	52

DIMENSIONAL DATA

Fixture weight varies and is dependent upon chosen specifications. Consult factory for additional information. Average weight of the DLM6 is 21lb.



This product was Made in America and complies with the Buy American Act requirements. Specifications and dimensions are subject to change without notice. For additional options and dimensional details, please consult your New Star Lighting representative.