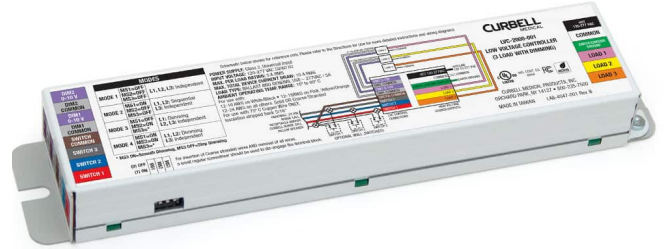


# “LV3” INDEPENDENT LOW VOLTAGE DIMMING CONTROL

## FEATURES

- Provides lighting control interface to a pillow speaker, bed side rail or other low voltage devices
- Two loads independently (on/off) with 0-10V dimming control and a third load independently (on/off)
- Approved for use with most nurse call systems that use a switch with normally-open momentary dry contacts for auxiliaries
- Wall switch, pillow speaker, bedside controllers, and additional accessories by others



## RELATED PRODUCTS:

🔗 [“LVD” Low Voltage Control](#)



## SPECIFICATIONS

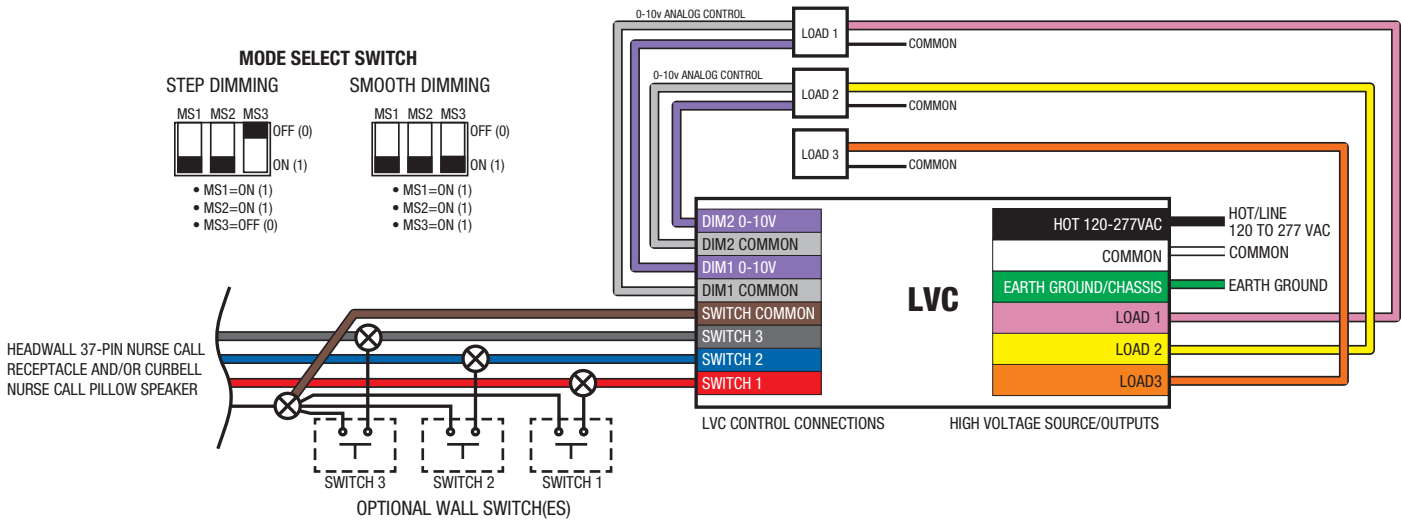
**INPUT VOLTAGE:** 120-277VAC 50/60HZ

**CONTROL MODE:** The LV3 is factory set to operate three independent loads. Two loads (typically ambient and reading) with 0-10V dimming control, and the third load independently for on/off control (typically exam). The third independent load (typically exam) can be operated on a low voltage controller or through a high voltage wall switch.

## WIRING DIAGRAM

Consult factory for additional information

### LOAD 1 AND 2 INDEPENDENT (WITH DIMMING) / LOAD 3 INDEPENDENT ON/OFF (NO DIMMING)



Specifications and dimensions are subject to change without notice. For additional options and dimensional details, please consult your New Star Lighting representative.