

“LVD” MULTI-LOAD LOW VOLTAGE DIMMING CONTROL

FEATURES

- Provides lighting control interface to a pillow speaker, bed side rail or other low voltage devices
- Provides reading, ambient and exam light levels by turning multiple loads on at once. Two loads with dimming and a third load with on/off control
- Approved for use with most nurse call systems that use a switch with normally-open momentary dry contacts for auxiliaries
- Wall switch, pillow speaker, bedside controllers, and additional accessories by others



RELATED PRODUCTS:

④ [“LV3” Low Voltage Control](#)

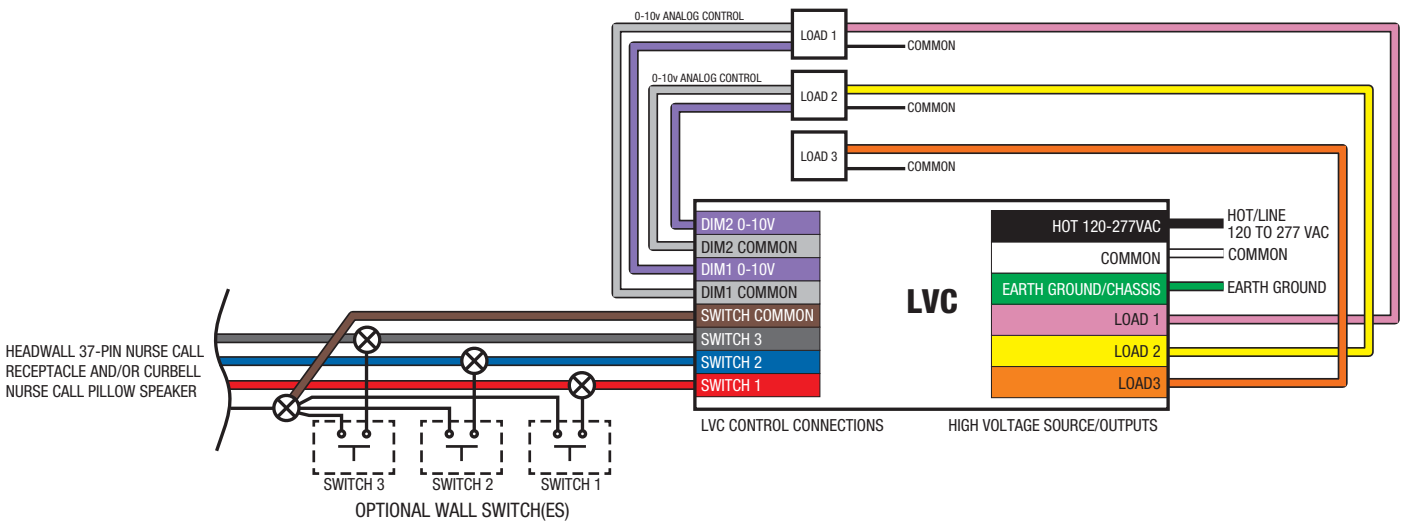
SPECIFICATIONS

INPUT VOLTAGE: 120-277VAC 50/60HZ

CONFIGURATION: The LVD allows multiple loads (functions) to turn on at once to achieve specified light levels. It is factory set to provide: Load 1 (reading) with 0-10V dimming control, Load 1 + 2 (ambient) with 0-10V dimming control, and Load 1 + 2 + 3 (exam) for on/off control. The LVD is provided on one circuit that operates through low voltage. The exam function can be wired to a low voltage wall switch (all drivers are connected to one low voltage controller).

WIRING DIAGRAM

Consult factory for additional information



Specifications and dimensions are subject to change without notice. For additional options and dimensional details, please consult your New Star Lighting representative.