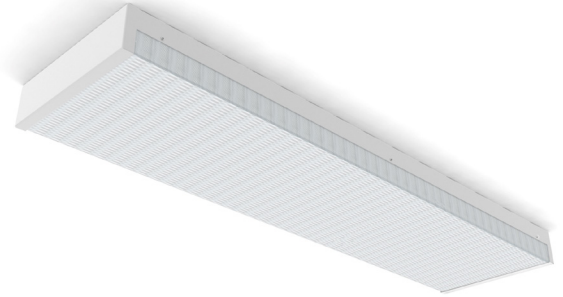


## 51HD SERIES: QUICK SHIP

### 51HD4

#### FEATURES:

- Intended for High Abuse Areas, Locker Rooms, Manufacturing Facilities, Commercial Settings, and more
- 10 Day Quick Ship for orders under 50 fixtures. Consult factory for large quantities or additional fixture options.
- Can be used for Temporary/Conversion Patient Care & Hospital Facilities with step dimming and antimicrobial finish options
- High abuse linear luminaire constructed of heavy gauge cold rolled steel
- This product was Made in America and complies with the Buy American Act requirements



51HD4

#### RELATED PRODUCTS:

- [51HD Full Range of Ordering Options](#)
- [51HA](#)
- [51HC](#)
- [51HR](#)



#### SPECIFICATIONS

**CONSTRUCTION:** 16 gauge cold rolled steel internally reinforced to provide double wall thickness at ends and corners.

**LENS:** Impact resistant prismatic UV stabilized polycarbonate diffuser.

**LED:** Available in two color temperatures 3500°K and 4000°K with maximum 3-step MacAdam variation allowance. Minimum 80 CRI standard.

**ELECTRICAL:** 0-10V dimming available with 10-100% range and 1-100% range. Must specify dimming under options.

**REFLECTOR:** Cold rolled steel, removable and unitized with all electrical components for easy installation and maintenance.

**FASTENERS:** Six tamper resistant Torx head screws with center pin reject.

**FINISH:** White powder coat finish following multistage iron phosphate pretreatment. Optional antimicrobial finish.

**INSTALLATION:** Surface installation. Hardware by others.

**WARRANTY:** [New Star Promise](#). Limited five (5) year warranty.

**LABEL:** Fixture is certified to UL standards for Damp Location. Optional Wet Location rating (under covered ceiling).

## 51HD SERIES: QUICK SHIP

### 51HD4

### ORDERING INFORMATION

EXAMPLE: 51HD4-L2351C-B-12-QS

SERIES	LUMEN OUTPUT*	COLOR TEMP.	CIRCUITS	LENS	VOLTAGE
<b>51HD4</b>					
	L2 = Low	35 = 3500°K	1C = 1 Circuit	B = .125 Prismatic Poly.	12 = 120V
	L4 = High	40 = 4000°K	2C = 2 Circuits*	C = .156 Prismatic Poly. D = .187 Prismatic Poly.	27 = 277V UN = Universal (120V-277V)
	*Subject to change. Performance Data on page 3.		*Refers to inboard/ outboard wiring.		

OPTIONS	
	<b>QS</b>

- DM = 0-10V dimming with 10-100% range
  - DM1 = 0-10V dimming with 1-100% range
  - FZ1 = Fuse (120V)
  - FZ2 = Fuse (277V)
  - EL1 = Emerg. Bat. LED Low (1100-1250 lm)\*
  - EL2 = Emerg. Bat. LED High (1900-2200 lm)\*
  - WL = Wet Location (Covered Ceiling Only)
  - AH = Allen Head Screws with Center Pin
  - AM = Antimicrobial Paint
  - SD2 = Step Dim. Module (50-100%)
  - SD3 = Step Dim. Module (30-70-100%)
  - WP = 6ft. Flex Whip. Supply wires included only unless otherwise specified
- QS = Quick Ship

\*Provided on an additional independent circuit. Consult factory for the CA Title 24 options.

# 51HD SERIES: QUICK SHIP

## 51HD4



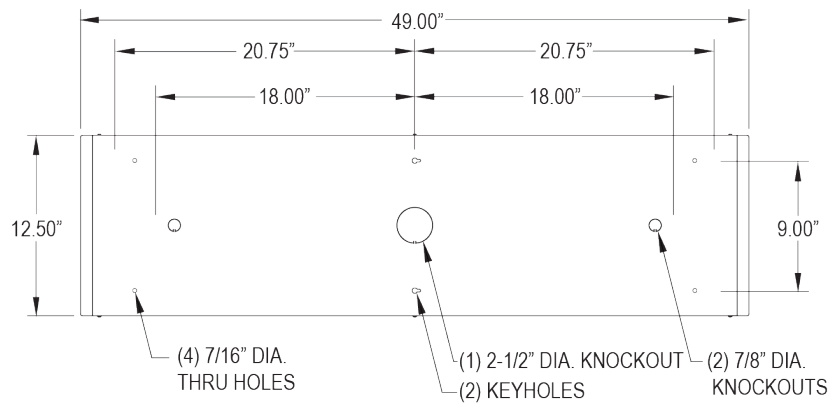
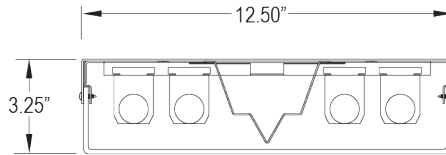
### PERFORMANCE DATA\*

\*Data is with 80 CRI chip. LEDs are frequently updated therefore values may change without notice.

MODEL	OUTPUT	COLOR TEMP.	LUMENS DELIVERED	EFFICACY (lm/W)	INPUT POWER (W)
51HD4	L2 = Low	4000°K	5500	110	50
	L4 = High	4000°K	11000	110	100

### DIMENSIONAL DATA

Fixture weight varies and is dependent upon chosen specifications. Consult factory for additional information. Average weight of the 51HD4 is 25lb.



This product was Made in America and complies with the Buy American Act requirements. Specifications and dimensions are subject to change without notice. For additional options and dimensional details, please consult your New Star Lighting representative.