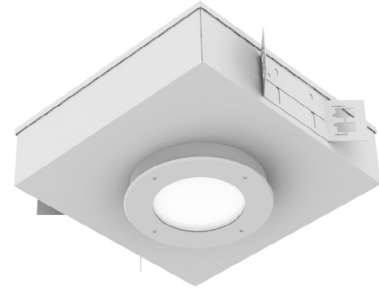


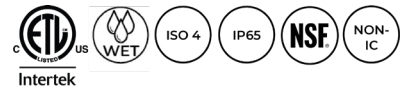
STARMED DOWNLIGHT SERIES: QUICK SHIP DLM6

FEATURES:

- Intended for Surgical Suites, Patient Rooms, Hospitals, Cleanrooms, Hi-Tech Manufacturing, Laboratory, Food Processing Facilities, and more
- 10 Day Quick Ship for orders under 50 fixtures. Consult factory for large quantities or additional fixture options
- Enclosed aluminum or cold rolled steel housing with extruded aluminum heat sink
- Available in 6" aperture
- Suitable for Wet Location installations, through branch wiring, IP65 rating, meets ISO 4/Class 10 Cleanrooms, and NSF2 Splash/Non-Food Zone
- This product was Made in America and complies with the Buy American Act requirements



DLM6



RELATED PRODUCTS:

- [StarMed Downlights \(DLM6\) Full Range of Ordering Options](#)
- [StarMed Downlights MRI \(DLM6\)](#)

SPECIFICATIONS

CONSTRUCTION: Sealed housing in 16-gauge aluminum with an extruded aluminum heat sink designed for maximum thermal dissipation.

LENS: Prismatic acrylic or white frosted polycarbonate inner lens to diffuse LED module with an optional clear outer lens.

LED: LED module available in two color temperatures 3000°K and 4000°K with maximum 3-step MacAdam variation allowance. Minimum 80 CRI standard.

ELECTRICAL: 0-10V dimming available with 10-100% range and 1-100% range. Must specify dimming under options. Rated for through-branch wiring.

FASTENERS: Stainless steel Philips flat head screws with captive cage nuts. Finish to match trim.

FINISH: White antimicrobial powder coat finish following multistage iron phosphate pretreatment on all exposed room-side painting surfaces, unless otherwise specified.

GASKET: Closed cell EPDM and closed cell silicone gaskets prevent air contaminations from entering the fixture.

INSTALLATION: Recessed installation.

WARRANTY: Limited five (5) year warranty.

LABEL: Fixture is certified to UL standards by Intertek Testing Laboratory for non-IC and Wet Location installations (under covered ceiling). Suitable for through branch wiring. IP65 rating. Meets ISO 4/Class 10 Cleanrooms. NSF2 Splash/Non-Food Zone. Optional MIL-STD-461F.

STARMED DOWNLIGHT SERIES: QUICK SHIP

DLM6

ORDERING INFORMATION

EXAMPLE: DLM6-HA-L640-A/A-A-3-UN-QS

SERIES	APERTURE	HOUSING	LUMEN OUTPUT*	COLOR TEMP.	OUTER LENS
DLM	6	HA			

6 = 6 inch HA = 16Ga. Aluminum Painted

L1 = 11W 82 CRI

30 = 3000°K

A = .125 Clear Acrylic

L2 = 29W 82 CRI

40 = 4000°K

B = .125 Clear Polycarbonate

L3 = 13W 82 CRI

C = .187 Clear Polycarbonate

L4 = 25W 82 CRI

D = .250 Clear Polycarbonate

L5 = 37W 82 CRI

0 = None

L6 = 45W 82 CRI

L6A = 54W 82 CRI

L7 = 52W 82 CRI

*Subject to change.
 Performance Data on page 3.

INNER LENS	TRIM	REFLECTOR	VOLTAGE	OPTIONS	
		3			QS

A = .125 Prismatic Acrylic A = .080 Aluminum Painted 3 = Low Gloss White 12 = 120V TH = Torx Head screws (with center pin)* QS = Quick Ship
 B = .125 Prismatic Poly. B = 18Ga. CRS Painted 27 = 277V DM = 0-10V dimming with 10-100% range
 C = .156 Prismatic Poly. UN = Universal (120V-277V) DMI = 0-10V dimming with 1-100% range
 D = .125 White Frosted Poly.

*TH are not NSF-rated.

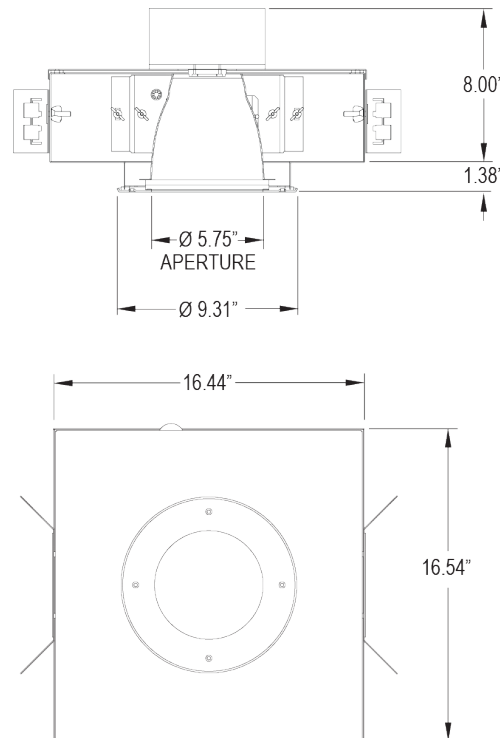
PERFORMANCE DATA*

*LEDs are frequently updated therefore values may change without notice.

DLM (82 CRI)	4000°K	LC3	Clear Acrylic	Wattage
	L1	744	905	11
	L2	1332	1621	29
	L3	636	774	13
	L4	1284	1536	25
	L5	1934	2354	37
	L6	1980	2409	45
	L6A	2670	3249	54
	L7	3270	3979	52
DLM (82 CRI)	3000°K	LC3	Clear Acrylic	Wattage
	L1	696	847	11
	L2	1266	1540	29
	L3	636	774	13
	L4	1284	1562	25
	L5	1936	2354	37
	L6	1896	2307	45
	L6A	2670	3249	54
	L7	3000	3650	52

DIMENSIONAL DATA

Fixture weight varies and is dependent upon chosen specifications. Consult factory for additional information. Average weight of the DLM6 is 21lb.



This product was Made in America and complies with the Buy American Act requirements. Specifications and dimensions are subject to change without notice. For additional options and dimensional details, please consult your New Star Lighting representative.