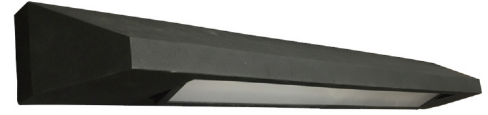


GATEWAY SERIES: QUICK SHIP

GTW4

FEATURES:

- Intended for Over The Door Applications, Architectural Drip Edge, Exteriors, Entryways, Facades, Commercial Settings, Transportation Settings, and more
- 5 Day Quick Ship for orders under 50 fixtures. Consult factory for large quantities or additional fixture options
- Available in 4ft (48" Optic, 56" Housing)
- Patent-pending field-adjustable optic
- Easy installation with a separate mounting bracket
- This product was Made in America and complies with the Buy American Act requirements



GTW4

RELATED PRODUCTS:

- [Gateway \(GTW\) Full Range of Ordering Options](#)



SPECIFICATIONS

HOUSING: 16 gauge formed aluminum housing and endcaps (standard).

OPTIC: Rotatable frosted polycarbonate lens inside aluminum frame.

OPTIC LOCKING MECHANISM: Optional internal locking mechanism for optic chamber. Five field adjustable locking positions.

LED: Available in two color temperatures 3500°K and 4000°K with maximum 3-step MacAdam variation allowance. Minimum 80 CRI standard.

ELECTRICAL: 0-10V dimming available with 10-100% range. Must specify dimming under options.

FASTENERS: Torx Head screws with center pin reject (standard).

FINISH: Extremely durable powder coat finish available in black. Finish suitable for outdoor applications.

GASKET: Closed cell neoprene gaskets prevent air contaminations from entering the fixture.

INSTALLATION: Separate mounting bracket allows for easy wall installation.

WARRANTY: [New Star Promise](#) (N/A with CRS). Limited five (5) year warranty.

LABEL: Fixture is certified to UL standards for Wet Location.

GATEWAY SERIES: QUICK SHIP

GTW4

ORDERING INFORMATION

EXAMPLE: GTW4-HA-L235-UN-BK-QS

SERIES	SIZE*	HOUSING	LUMEN OUTPUT*	COLOR TEMP.	VOLTAGE
GTW	4	HA			

4 = 48" Optic, 56" Housing

HA = 16Ga. Alum. Painted

L1 = Low

35 = 3500°K

12 = 120V

L2 = High

40 = 4000°K

27 = 277V

*Nominal Size. Dimensional Data on page 3.

*Subject to change.

UN = Universal
(120V-277V)

FINISH	OPTIONS	
BK		QS

BK = Black

DM = 0-10V dimming with 10-100% range
 GLM = Optic locking mechanism*

QS = Quick Ship

* See page 3 for more information.

PERFORMANCE DATA*

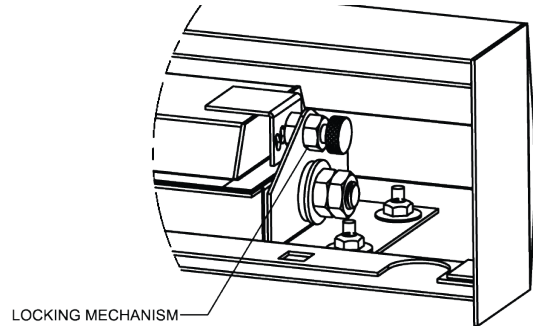
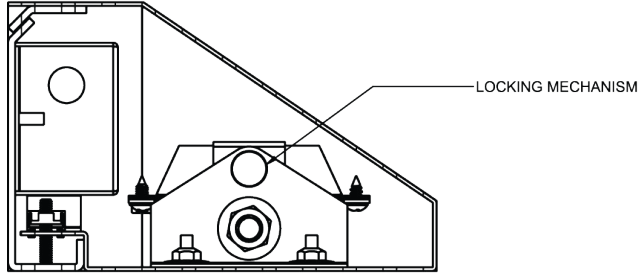
*Data is with 80 CRI chip. LEDs are frequently updated therefore values may change without notice.

MODEL	OUTPUT	COLOR TEMP.	LUMENS DELIVERED	EFFICACY (lm/W)	INPUT POWER (W)
GTW4	L1 = Low	4000°K	1940	78	25
	L2 = High	4000°K	3800	78	50

This product was Made in America and complies with the Buy American Act requirements. Specifications and dimensions are subject to change without notice. For additional options and dimensional details, please consult your New Star Lighting representative.

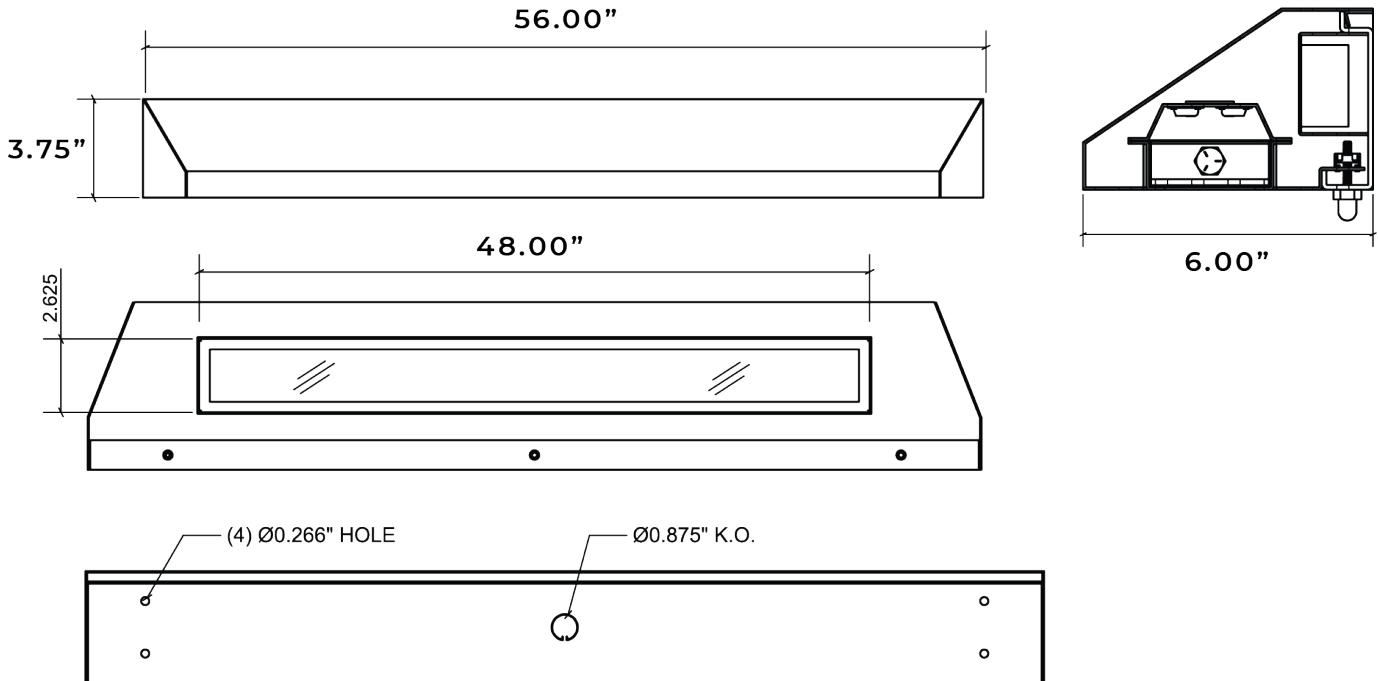
OPTIC LOCKING MECHANISM

Internal field adjustable locking mechanism for optic chamber with five positions: -25°, -12.5°, 0°, 12.5°, 25°. Pull back internal spring pin, adjust optic, release spring to lock into one of the 5 positions. Consult factory for questions.



DIMENSIONAL DATA

Fixture weight varies and is dependent upon chosen specifications. Consult factory for additional information. Average weight of the GTW4 is 25lb.



This product was Made in America and complies with the Buy American Act requirements. Specifications and dimensions are subject to change without notice. For additional options and dimensional details, please consult your New Star Lighting representative.