

## STARMED MUS UNDERCABINET SERIES: QUICK SHIP

MUS2/MUS4

### FEATURES:

- Intended for Task Lighting, Patient Rooms, Nurse Stations, Desk Stations, Offices, Research Facilities, Laboratories, Display Cases, and more
- 10 Day Quick Ship for orders under 50 fixtures. Consult factory for large quantities or additional fixture options
- Available in two sizes: 2ft, 4ft
- Easy installation with keyhole slots
- White antimicrobial finish standard
- This product was Made in America and complies with the Buy American Act requirements

### RELATED PRODUCTS:

- [StarMed MUS Undercabinet Full Range of Ordering Options](#)
- [High Abuse MUSCON Undercabinet](#)



MUS4



### SPECIFICATIONS

**CONSTRUCTION:** 20 gauge formed cold rolled steel housing with continuous seam welds and ground smooth.

**LENS:** .125 Prismatic Acrylic.

**LED:** Available in two color temperatures 3500°K and 4000°K with maximum 3-step MacAdam variation allowance. Minimum 80 CRI standard.

**ELECTRICAL:** 0-10V dimming available with 10-100% range. Must specify dimming under options.

**FINISH:** White antimicrobial powder coat finish following multistage iron phosphate pretreatment.

**INSTALLATION:** Surface installation. Keyhole slots for easy installation. Mounting screws are not provided.

**WARRANTY:** Limited five (5) year warranty.

**LABEL:** Fixture is certified to UL standards by Intertek Testing Laboratory for Damp Location.

**STARMED MUS UNDERCABINET SERIES: QUICK SHIP**  
 MUS2/MUS4

**ORDERING INFORMATION**

EXAMPLE: MUS2-HC-L135-A-UN-QS

SERIES	SIZE*	HOUSING	LUMEN OUTPUT*	COLOR TEMP.	LENS
<b>MUS</b>		<b>HC</b>	<b>L1</b>		<b>A</b>
	2 = 2ft. 4 = 4ft.	HC = 20Ga. CRS Painted	L1 = Standard	35 = 3500°K 40 = 4000°K	A = .125 Prismatic Acrylic

\*Nominal Size.  
 Dimensional Data on  
 Page 3.

\*Subject to change.  
 Performance data on page 3.

VOLTAGE	OPTIONS	
<b>UN</b>		<b>QS</b>

UN = Universal (120V-277V)      DM = 0-10V dimming with 10-100% range      QS = Quick Ship

This product was Made in America and complies with the Buy American Act requirements. Specifications and dimensions are subject to change without notice. For additional options and dimensional details, please consult your New Star Lighting representative.

# MUS UNDERCABINET: QUICK SHIP

MUS2/MUS4



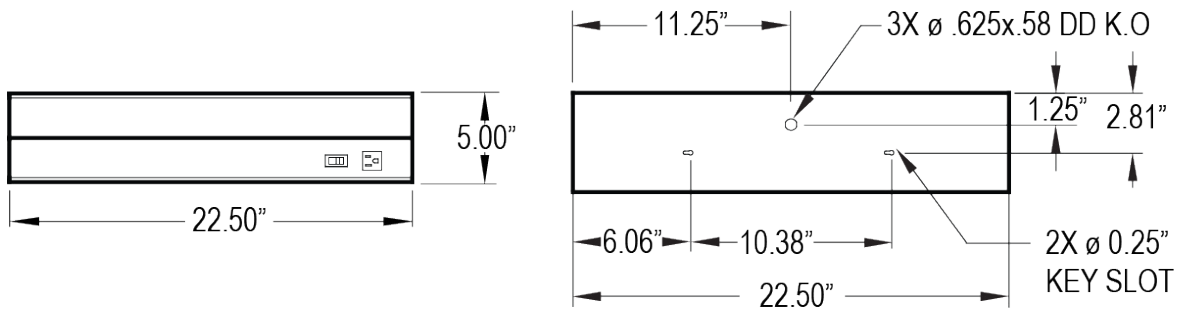
## PERFORMANCE DATA\*

\*Data is with 80 CRI chip. LEDs are frequently updated therefore values may change without notice.

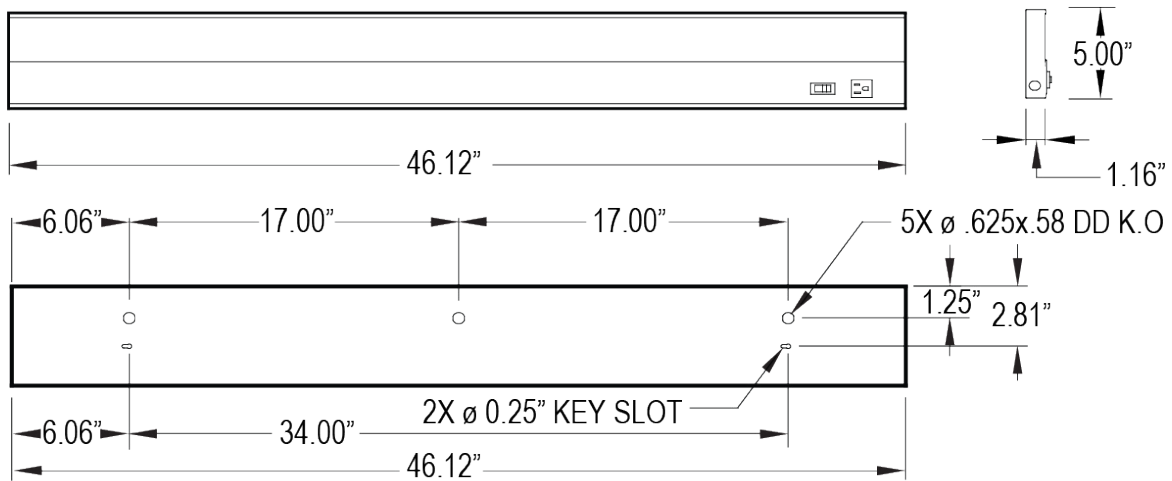
MODEL	OUTPUT	COLOR TEMP.	LUMENS DELIVERED	EFFICACY (lm/W)	INPUT POWER (W)
MUS2	L1 = Standard	4000°K	1250	100	12
MUS4	L1 = Standard	4000°K	2500	100	25

## DIMENSIONAL DATA

Fixture weight varies and is dependent upon chosen specifications. Consult factory for additional information. Average weight of the MUS2 is 5lb. Average weight for the MUS4 is 8lb.



**MUS2**



**MUS4**

This product was Made in America and complies with the Buy American Act requirements. Specifications and dimensions are subject to change without notice. For additional options and dimensional details, please consult your New Star Lighting representative.