

Lumanique

SPDH, SPDA



Available in two versions: Multi-function Ambient + Exam + Reading + Night Light (SPDH) and Ambient only (SPDA)



Intended for Patient Rooms, Skilled Nursing Facilities, Labor & Delivery, Convalescent Care, Hospice, Commercial settings and more.

- Available in a 1x4 pair (adjacent to patient bed), 1x4 standalone, 2x2 or 2x4.
- Dimensional one-piece lens provides an architectural statement. Optional clear overlay lens provides flat wipe-down surface for easy cleaning.
- Internal chambers separate functions for individual light control without light leaks.
- Various lumen packages: up to 21000lm (all on).
- Available in several color temperatures with 80 CRI and 90 CRI options.
- Optional Curbell low voltage controllers - dimming



SPDH24

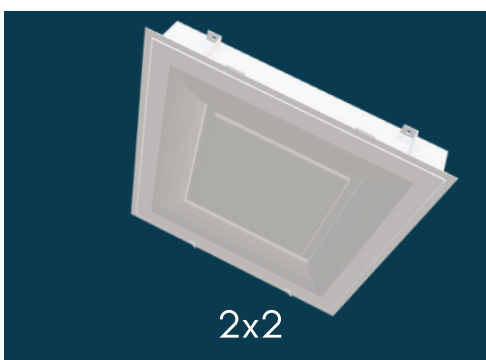
SPDH Multi-Function Performance



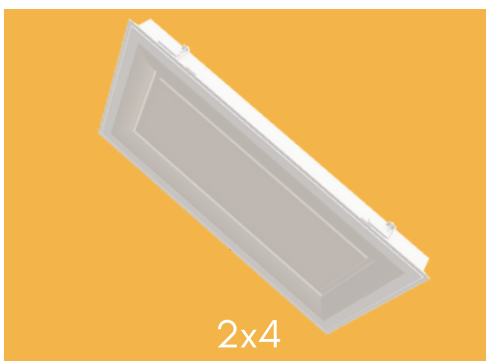
OUTPUT	FUNCTION	LUMENS DELIVERED	EFFICACY (lm/W)	INPUT POWER (W)
LW = Low	Ambient	5700	95	60
	Exam	10800	90	120
	Reading	1250	50	12
	Night light	500	50	10
HG = High	Ambient	9500	95	100
	Exam	18000	90	200
	Reading	1250	50	25
	Night light	500	50	10



OUTPUT	FUNCTION	LUMENS DELIVERED	EFFICACY (lm/W)	INPUT POWER (W)
LW = Low	Ambient	2850	95	30
	Exam	5400	90	60
	Reading	600	50	10
	Night light	350	50	4
HG = High	Ambient	4750	95	50
	Exam	9000	90	100
	Reading	600	50	12
	Night light	350	50	7



OUTPUT	FUNCTION	LUMENS DELIVERED	EFFICACY (lm/W)	INPUT POWER (W)
LW = Low	Ambient	4400	110	40
	Exam	8000	100	80
	Reading	900	75	12
	Night light	750	75	10
HG = High	Ambient	6600	110	60
	Exam	10800	100	108
	Reading	900	75	12
	Night light	750	75	10



OUTPUT	FUNCTION	LUMENS DELIVERED	EFFICACY (lm/W)	INPUT POWER (W)
LW = Low	Ambient	6900	115	60
	Exam	12000	100	120
	Reading	1875	75	25
	Night light	600	75	8
HG = High	Ambient	13800	115	120
	Exam	21500	100	215
	Reading	1875	75	25
	Night light	1125	75	15

SPDA Ambient Performance

SERIES	OUTPUT	LUMENS DELIVERED	EFFICACY (lm/W)	INPUT POWER (W)
SPDA14ST	LW = Low	5700	95	60
	HG = High	12000	100	120
SPDA22	LW = Low	6000	100	60
	HG = High	12000	100	120
SPDA24	LW = Low	12000	100	120
	HG = High	20000	100	200

Performance data is based off 80 CRI at 4000°K. Consult factory for additional reading light level options.