

## 33L SERIES LED

33LN2/33LN4/33LW2/33LW4

### SPECIFICATION FEATURES

- HOUSING:** Die formed, seam welded, and ground smooth cold rolled steel or stainless steel clamshell design. Incorporates a removable reflector unitized with all electrical components for easy installation and maintenance. Clamshell design incorporates a contraband drop slot gap between the ceiling and back of fixture.
- BACKPLATE:** Die formed with contraband drop slot and embossed mounting holes (material to match housing). Security caulking between ceiling and fixture is not required with this backplate design.
- HINGE:** 16 gauge full length continuous, staked piano hinge with welded ends to prevent removal (material to match housing).
- LENS:** Outer and Inner lens options secured by "Z" retainers with weld studs spaced six inches apart for maximum strength.
- LED:** Available in three color temperatures 3500°K, 4000°K and 5000°K. Other color temperatures available, consult factory. Standard 0-10V driver provided. Optional dimming function (DM) with 10-100% range.
- FASTENERS:** Tamper resistant countersunk flat head Torx screws with center pin reject.
- FINISH:** White powder coat finish following iron phosphate pre-treatment.
- GASKET:** Black neoprene gasket around door frame to prevent light leaks.



### APPLICATION:

Minimum to Supermax Confinement, Psychiatric Wards, Public Housing, Detention Centers, Transportation, Athletic Facilities, and more.

### MOUNTING:

Surface installation.

### LABEL:

Fixture is certified to UL standards.



### ORDERING INFORMATION

Ex: 33LW2-A-L2401-A/C-UN

PRODUCT FAMILY	STYLE	NOMINAL SIZE <small>*Dimensional Data Pg. 2</small>	HOUSING	LUMEN™ OUTPUT <small>*Performance Data Pg. 2</small>	COLOR TEMP.
33L	W = Wide N = Narrow	2 = 2ft. 4 = 4ft.	A = 12Ga. CRS Painted B = 14Ga. CRS Painted C = 16Ga. CRS Painted D = 18Ga. CRS Painted E = 14Ga. SS (Brushed) F = 16Ga. SS (Brushed) G = 18Ga. SS (Brushed) H = 14Ga. SS (Painted) J = 16Ga. SS (Painted) K = 18Ga. SS (Painted)	<b>Wide (W):</b> L1 = Low L2 = Standard L3 = High <b>Narrow (N):</b> L1 = Standard L2 = Medium	35 = 3500°K 40 = 4000°K 50 = 5000°K

CIRCUITS	OUTER LENS	INNER LENS	VOLTAGE	OPTIONS
1 = 1 Circuit 2 = 2 Circuits	0 = No Lens A = .125 Clear Poly. B = .156 Clear Poly. 1 = .187 Clear Poly. 2 = .250 Clear Poly. 3 = .375 Clear Poly. 4 = .500 Clear Poly. 5 = .187 Clear Temp. Glass 6 = .250 Clear Temp. Glass 7 = .375 Clear Temp. Glass ^ 8 = .500 Clear Temp. Glass ^ 9 = .750 Clear Temp. Glass ^	A = .125 Prismatic Acrylic B = .125 Prismatic Poly. C = .156 Prismatic Poly. D = .187 Prismatic Poly. E = .156 Prismatic Temp. Glass F = .156 Prismatic Acrylic G = .140 DR Acrylic LC3 = .125 White Frosted Poly.	12 = 120V 27 = 277V 34 = 347V UN = Universal (120V-277V)	FZ* EL1** LN UV AH DM

### KEY

FZ = Fuse\*  
EL1 = Emergency Batt. Low  
LN = LED Night Light. Integrated switch allows light levels at 100%, 70%, 40%, and 10% levels.

### Notes:

Specifications and Dimensions are subject to change without notice.  
For additional options and dimensional details please consult your New Star Lighting Representative.

UV = .005 UV Absorbing Overlay  
AH = Allenhead Scres with center pin reject  
DM = 0-10V dimming with 10-100% range. Dimming wires will be extended outside of fixture.

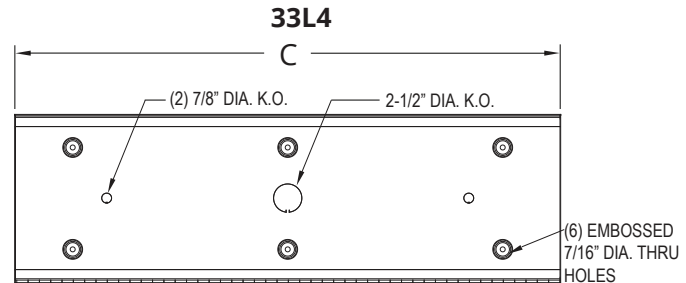
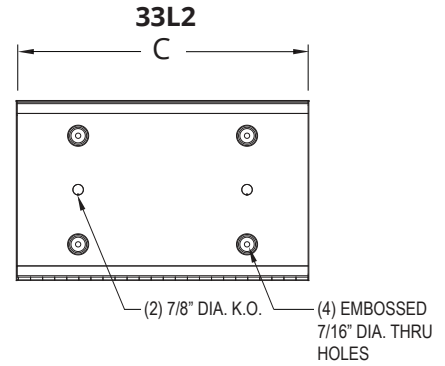
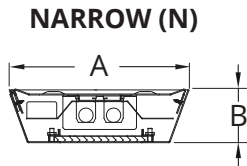
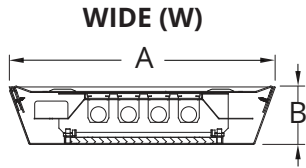
\* Cannot use with UN voltage  
\*\*If stored, batteries should be fully recharged every six months and kept between 0°C-25°C to maintain optimal battery capacity.  
.. Subject to change  
^ Must use with 12Ga. or 14Ga. Frame

# 33L SERIES LED

33LN2/33LN4/33LW2/33LW4



## DIMENSIONAL DATA



	A	B	C
<b>33LN2</b>	10.96"	3.13"	24.23"
<b>33LN4</b>	10.96"	3.13"	48.43"
<b>33LW2</b>	14.96"	3.13"	24.43"
<b>33LW4</b>	14.96"	3.13"	48.43"

## PERFORMANCE DATA

MODEL	OUTPUT	COLOR TEMP.	LUMENS DELIVERED	EFFICACY (lm/W)	INPUT POWER (W)
33LN2	Standard	3500°K	1438	115	12.5
		4000°K	1500	120	12.5
		5000°K	1563	125	12.5
	Medium	3500°K	2875	115	25
		4000°K	3000	120	25
		5000°K	3125	125	25
33LN4	Standard	3500°K	2875	115	25
		4000°K	3000	120	25
		5000°K	3125	125	25
	Medium	3500°K	5750	115	50
		4000°K	6000	120	50
		5000°K	6250	125	50
33LW2	Low	3500°K	1438	115	12.5
		4000°K	1500	120	12.5
		5000°K	1563	125	12.5
	Standard	3500°K	2875	115	25
		4000°K	3000	120	25
		5000°K	3125	125	25
	High	3500°K	4180	110	38
		4000°K	4370	115	38
		5000°K	4560	120	38
33LW4	Low	3500°K	2875	115	25
		4000°K	3000	120	25
		5000°K	3125	125	25
	Standard	3500°K	5750	115	50
		4000°K	6000	120	50
		5000°K	6250	125	50
	High	3500°K	8250	110	75
		4000°K	8625	115	75
		5000°K	9000	120	75

Notes:  
 Specifications and Dimensions are subject to change without notice.  
 For additional options and dimensional details please consult your New Star Lighting Representative.